

TRIM ACCESSORY – ISIS AND ESSENCE FANS

ATTENTION

Big Ass Fans suggests installing the trim accessory before installing airfoils and after ceiling finish work (e.g., paint, trim) is complete.

Peel the backing off of the double-sided foam tape, and then position the trim pieces around the extension tube and flush with the ceiling as shown.

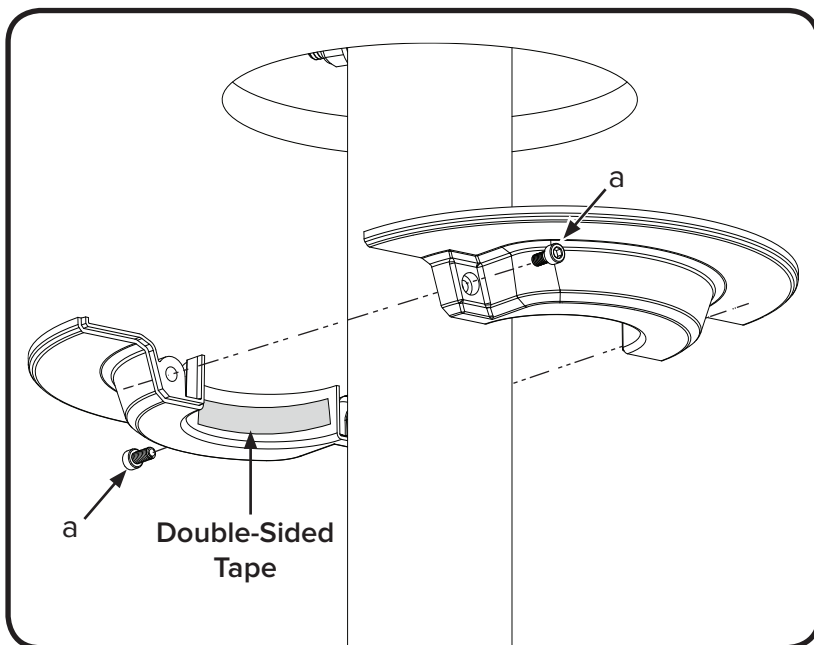
Line up the holes, and apply pressure against the trim pieces and extension tube so that the adhesive foam holds them in place.

Attach the trim pieces with the Trim Accessory Hardware. Do not overtighten.

Trim Accessory Hardware:

- a. (2) 8-32 x 0.375" Socket Head Cap Screw

Exploded View



Installed Trim Accessory

