

# **COOL-SPACE<sup>®</sup> 400**

---

## **Operation and Maintenance Manual**

Manuel de fonctionnement et d'entretien

Manual de operación y mantenimiento

# READ AND SAVE THESE INSTRUCTIONS



**WARNING: ELECTRICAL SHOCK HAZARD.** Disconnect the power supply before performing service or maintenance. Failure to do so may result in serious injury or death.

**CAUTION:** Do not connect to a water source where water pressure exceeds 60 PSI (4 bar/414 kPa). This will cause permanent damage to the cooler.

**CAUTION:** If using an extension cord, do not exceed the cord's amperage ratings. Undersized extension cords create excessive drops in voltage, causing the electric motor to generate excess heat. This results in inefficient motor operation and premature motor failure and will void the warranty.

**CAUTION:** Use caution when troubleshooting or repairing electrical components. Ensure power is disconnected from the cooler before the cooling media or fan guard is removed to gain access to the fan.

**CAUTION:** Repairs should be performed by a qualified technician.

**CAUTION:** If the supply cord is damaged, it must be replaced by the manufacturer, its service agent, or similarly qualified persons in order to avoid a hazard.

**CAUTION:** The Big Ass Fans product warranty will not cover equipment damage or failure that is caused by improper installation or use.

**CAUTION:** Prolonged use of hard water without proper water treatment will create mineral deposit buildup. This will cause the pump to fail and is **NOT COVERED BY WARRANTY**.

**DANGER:** Hazard to humans and domestic animals. Keep water treatment tablets out of reach of children. Causes severe eye and skin damage. Keep away from eyes, skin, and clothing. Harmful if swallowed.

**DANGER:** Wear face shield or goggles and rubber gloves when handling water treatment tablets. In case of contact, flush with water and seek medical attention.

**WARNING:** To avoid contamination, do not store water treatment tablets near drinking water, food, or feed. Do not reuse the empty container. Dispose of contents/container in accordance with local/regional/national/international regulations.

**CAUTION:** Be aware that high humidity levels may encourage the growth of biological organisms in the environment.

**CAUTION:** Never leave water in the reservoir when the appliance is not in use.

The appliance is not to be used by children or persons with reduced physical, sensory, or mental capabilities, or lack of experience and knowledge, unless they have been given supervision or instruction.

Children being supervised should be instructed not to play with the appliance.

Cleaning and user maintenance shall not be made by children without supervision.



Installation Guide  
Rev. C  
07/07/2023



Original English Instructions

[www.bigassfans.com/support](http://www.bigassfans.com/support)

Improper installation, delivery, or maintenance, including, but not limited to, any of the following actions by the customer or agent of the customer will constitute a breach of and will void all warranties:

- Failure to follow the required installation procedures specified in this Installation Guide and in all other documentation supplied with the coolers and related equipment including documentation provided by the manufacturers of the individual cooler and control components;
- Failure to follow all relevant codes and ordinances, including, but not limited to, the National Electrical Code (United States), applicable national and local electrical codes, and state and local building codes;
- Failure to follow electrical engineering industry standards regarding the approved method of installing solid-state electrical equipment having the characteristics of the coolers, the cooler controls, and their related components, even if such standards are not specifically referenced in any instructions or literature supplied by Big Ass Fans or provided by manufacturers.

All trademarks used herein are the properties of their respective owners. No part of this document may be reproduced or translated into a different language without the prior written consent of Big Ass Fans. The information contained in this document is subject to change without notice. For the most up-to-date information, see the online printable installation guide at [www.bigassfans.com](http://www.bigassfans.com)

Patent: [www.bigassfans.com/patents](http://www.bigassfans.com/patents) • [www.bigassfans.com/product-warranties](http://www.bigassfans.com/product-warranties)

# BEFORE YOU START

- ☑ Make sure the inside of the cooler is clean and that the water reservoir is free of dirt and debris.
- ☑ Place the cooler on level ground.
- ☑ Position the cooler so that obstacles such as racks and workbenches do not interfere with airflow.
- ☑ Provide uninterrupted fresh air intake and maintain a minimum clearance of **3 ft (0.9 m)** behind the cooler.
- ☑ Provide adequate ventilation. Do not operate the cooler in an enclosed space.
- ☑ Make sure discharged cool air will be free of obstructions.
- ☑ Make sure the water supply pressure does not exceed **60 PSI (4 bar/414 kPa)**.
- ☑ Make sure the cooler will be plugged into a fused or breaker-protected circuit. Refer to the tables below for electrical requirements.
- ☑ If using an extension cord, use a 12 gauge cord if the cord is shorter than 50 ft (15 m) or a 10 gauge cord if the cord is longer than 50 ft (15 m). Refer to the tables below for details.

## Electrical Requirements

Model	Volts +/- 10%	Frequency	Min. Circuit Size	Running Amps
Cool-Space® 400	100–120 V	60 Hz	15 A	8.75 A
	200–240 V	50/60 Hz	10 A	5.52 A

## Three-Conductor Heavy Duty Extension Cord Requirements (120 V)

Cord Length	Cord Size			
	16 GA	14 GA	12 GA	10 GA
0–50 ft (0–15 m)	13 A	18 A	25 A	30 A
50–100 ft (15–30 m)	10 A	13 A	18 A	25 A

## Three-Conductor Heavy Duty Extension Cord Requirements (220/230 V)

Cord Length	Cord Size			
	1.5 mm <sup>2</sup>	2.5 mm <sup>2</sup>	4 mm <sup>2</sup>	5 mm <sup>2</sup>
6 m	13 A	15 A	15 A	15 A
16 m	13 A	14 A	15 A	15 A
32 m	10 A	12 A	13 A	15 A

This product contains an IP rating of IPX5: Protection against ingress of water.

# OPERATION

---

## 1. Fill cooler

Connect one end of a garden hose to the water supply and the other end to the cooler's water supply inlet. Turn on the water supply. The water flow will automatically shut off when the cooler is full.

## 2. Plug in cooler

Plug the power cord into a fused or breaker-protected circuit.

## 3. Turn on pump

**Make sure the cooler's drain valve is fully closed.** Turn on the pump on/off switch.

## 4. Adjust water flow

Adjust the flow control valve until a visible flow of water trickles evenly down the cooling media. Make sure water is not splashing outside of the cooler.

## 5. Flush new cooling media

**Skip this step if you are not using new cooling media.**

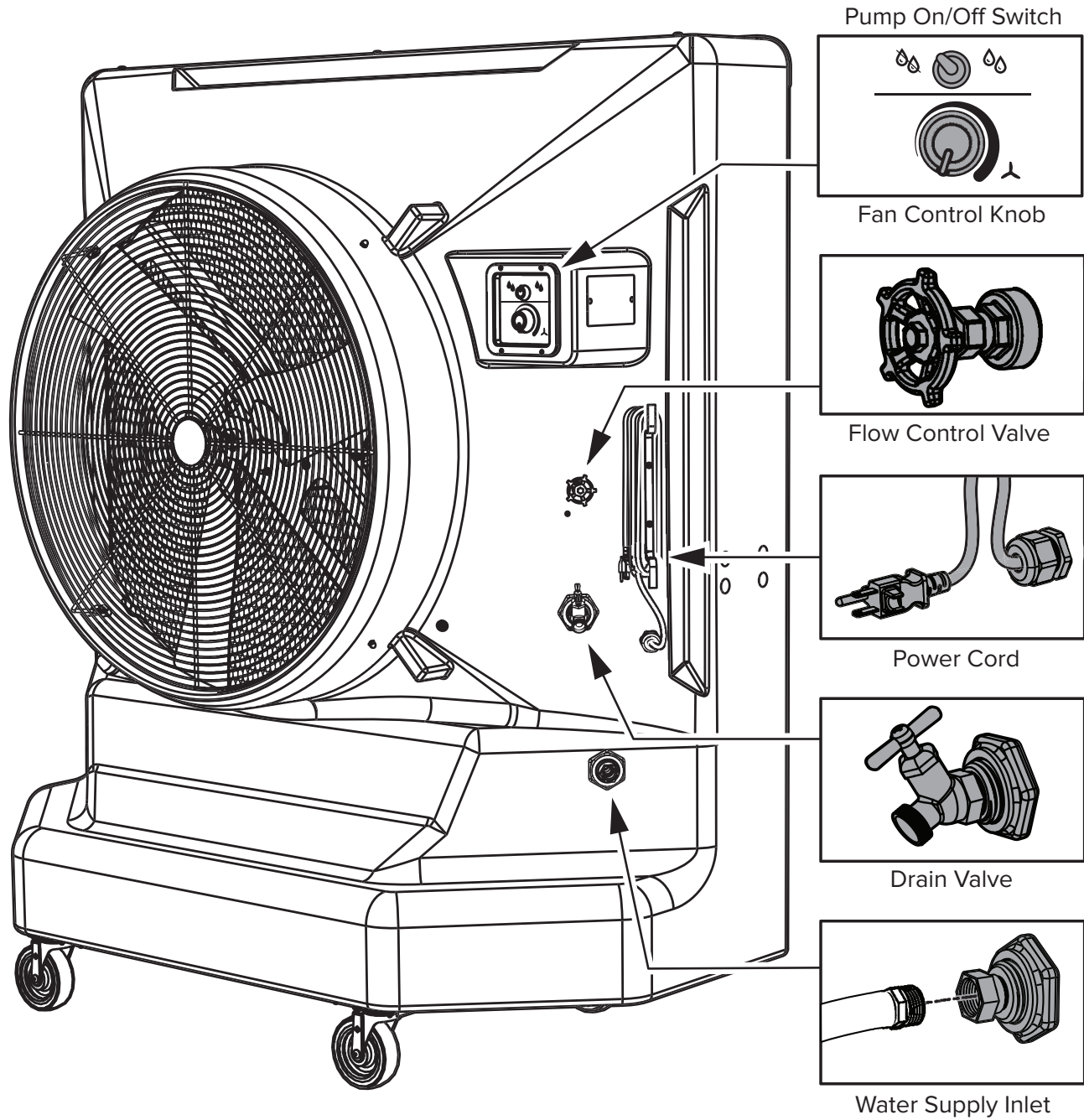
When starting the cooler for the first time or after replacing the cooling media, run the pump for five hours without the fan running to flush the new media.

## 6. Turn on fan

Turn on the fan control knob and adjust the speed to your preferred setting.

## 7. Shut down cooler

Turn off the pump and leave the fan running for 30 minutes to dry out the cooling media, and then turn off the fan. **Allow the cooling media to dry out completely once every 24 hours to prevent algae growth.**



# MAINTENANCE

---

 **WARNING: ELECTRICAL SHOCK HAZARD.** Disconnect the power supply before performing service or maintenance. Failure to do so may result in serious injury or death.

## Daily

- ☑ Allow the cooling media to dry out completely once every 24 hours to prevent algae growth.

## Weekly

- ☑ Check the cooling media for bowing, sagging, or dry streaks.
- ☑ Remove the cooling media (see page 6) and inspect the water reservoir. Remove any debris and make sure the reservoir is clean.
- ☑ Check the water distribution system for leaks and check for clogged holes in the spray bar.

## Bi-Weekly

- ☑ Clean the water reservoir every three days. See the following page for draining and cleaning instructions.

## Monthly

- ☑ Add two water treatment tablets to the cooler's reservoir to avoid scale and mineral buildup (*Fig. 1*). Tablets can be purchased at [bigassfans.com](http://bigassfans.com). Tablets may need to be added more often if the water quality is poor.

## Quarterly

- ☑ Drain and clean the water reservoir, water distribution system, and cooling media. See the following page for draining and cleaning instructions.
- ☑ Check all cooler components for cracks or damage, including the pump and fan motor.
- ☑ Make sure the cooler's float valve automatically shuts off the water flow when the cooler is full.

## Annually to every three years

- ☑ Replace the cooling media. Replacement cooling media can be purchased at [bigassfans.com](http://bigassfans.com). The media may need to be replaced more often if it becomes heavily stained with minerals or is damaged. See pages 6–7 for instructions on removing and installing cooling media.

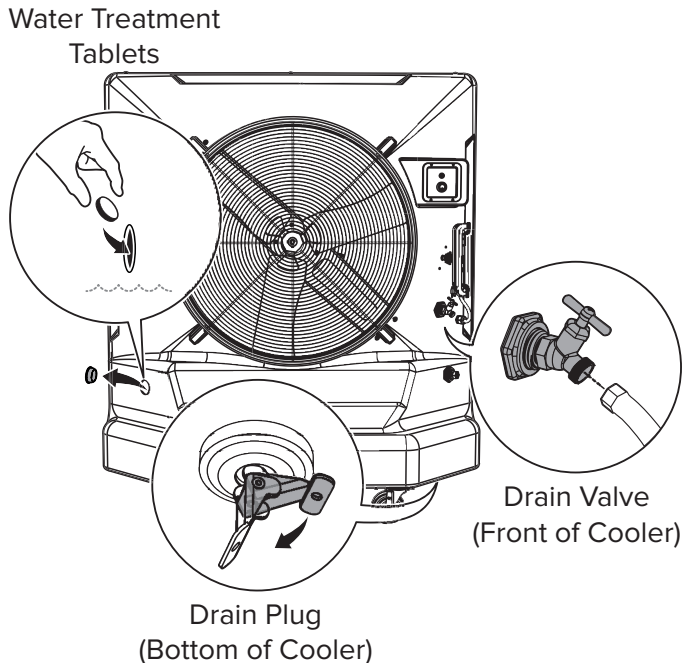
## Storing/winterizing

- ☑ Drain and clean the water reservoir, water distribution system, and cooling media. See the following page for draining and cleaning instructions.
- ☑ To prevent freezing in the cooler's water line, disconnect the water supply, and then open the flow control valve and the drain valve to dry out the reservoir.
- ☑ Store the cooler in a dry area and cover it to prevent damage and dust buildup. Storage covers can be purchased at [bigassfans.com](http://bigassfans.com).

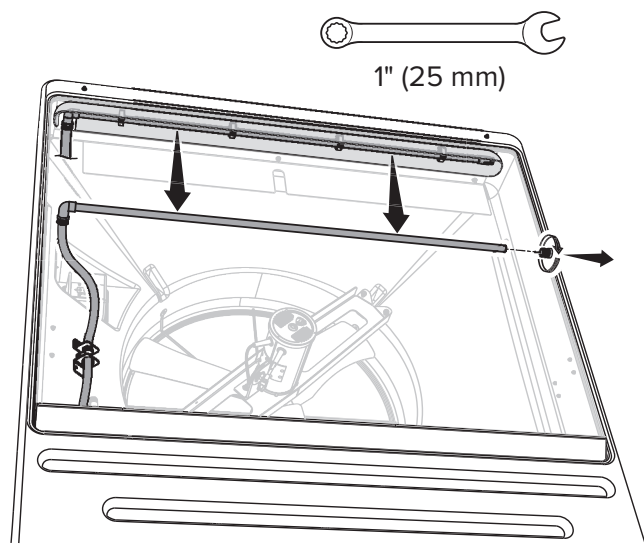
## Draining and cleaning the cooler

1. Drain cooler
  - a. Option A: Close flow control valve. Connect garden hose to drain valve on front of cooler (optional, *Fig. 1*). Open drain valve. Run pump until reservoir is dry, and then immediately turn off pump.
  - b. Option B: Remove drain plug from bottom of cooler (*Fig. 1*). Allow water to drain, and then replace drain plug. **Do not tilt cooler to remove or replace drain plug.**
2. Turn off and unplug cooler.
3. Remove cooling media (see page 6) and clean with water and a soft brush. **Do not use bleach, vinegar, or other harsh cleaners.**
4. Clean out water reservoir with a towel or wet/dry vacuum.
5. Remove spray bar from mounting clips and remove plug at end of spray bar (*Fig. 2*). Make sure water distribution holes are free of debris. Reattach plug to spray bar and reinstall spray bar into mounting clips. **Make sure water distribution holes are facing upward.**
6. Reinstall cooling media (see page 7).
7. Refill cooler with water (unless storing/winterizing).

**Fig. 1**



**Fig. 2**

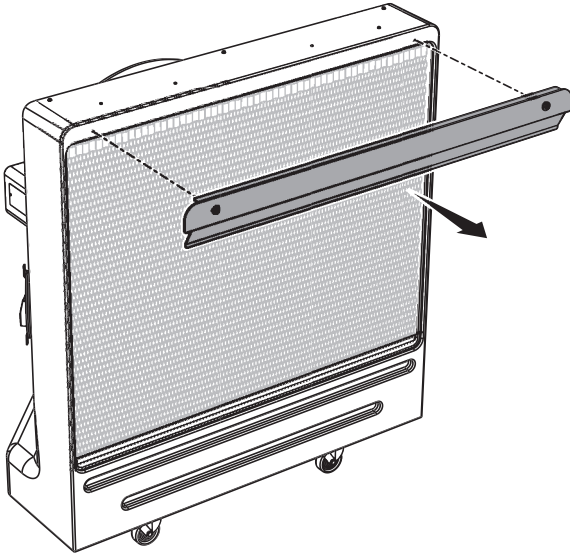
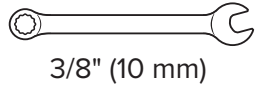


**Make sure spray bar's water distribution holes are facing upward.**

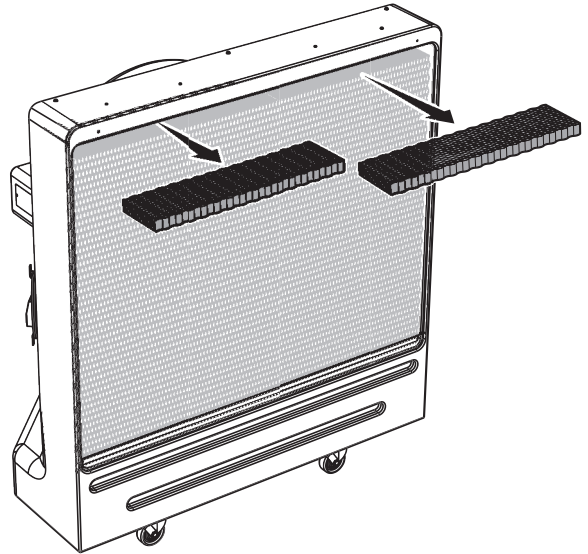
# MAINTENANCE

## Removing cooling media

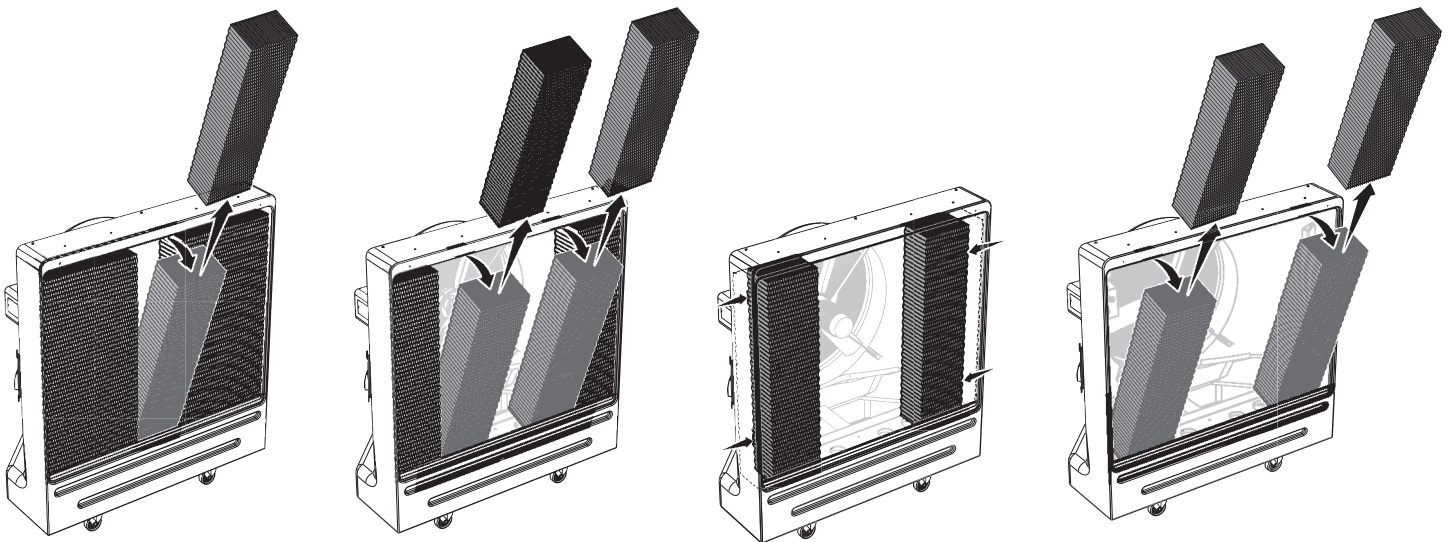
### 1. Remove retainer bar



### 2. Remove water distribution pads



### 3. Remove cooling media

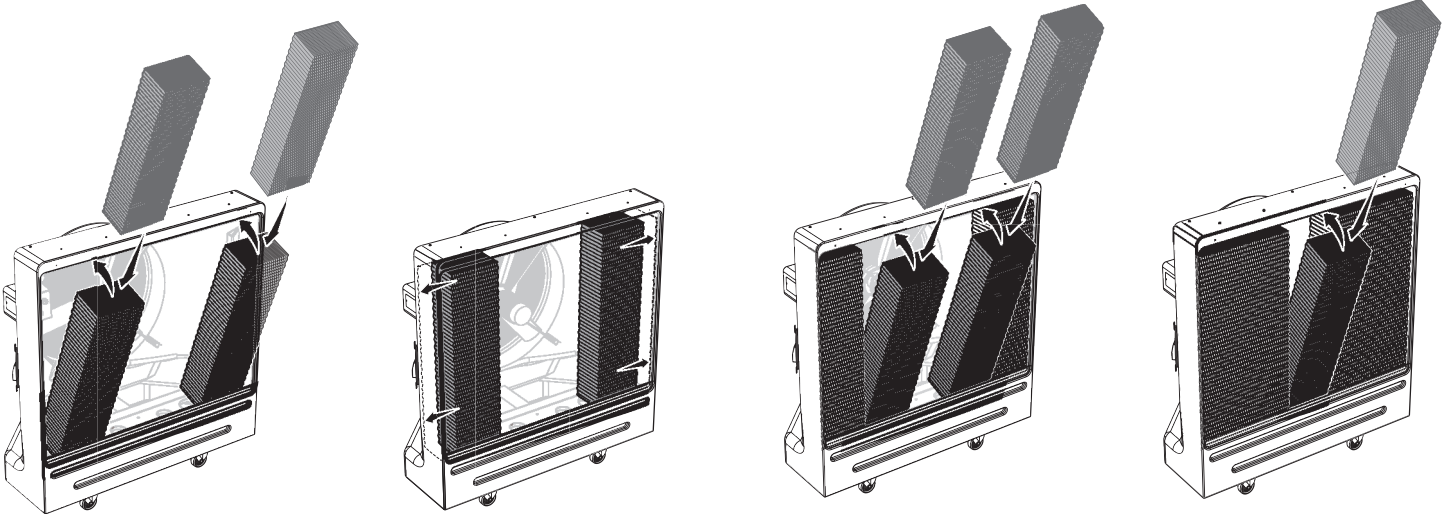
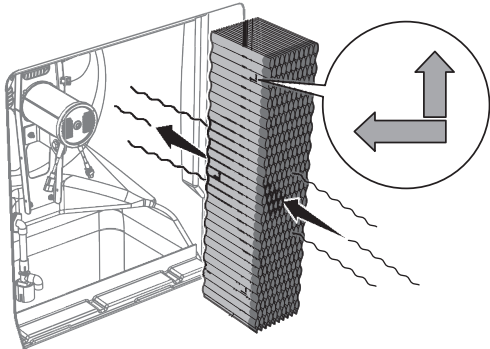




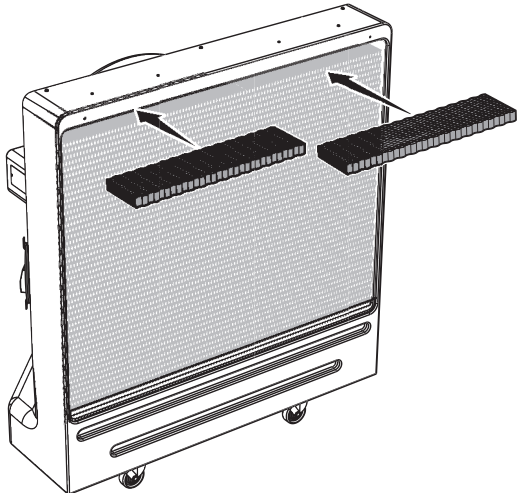
# Installing cooling media

## 1. Orient and install cooling media

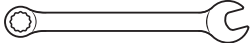
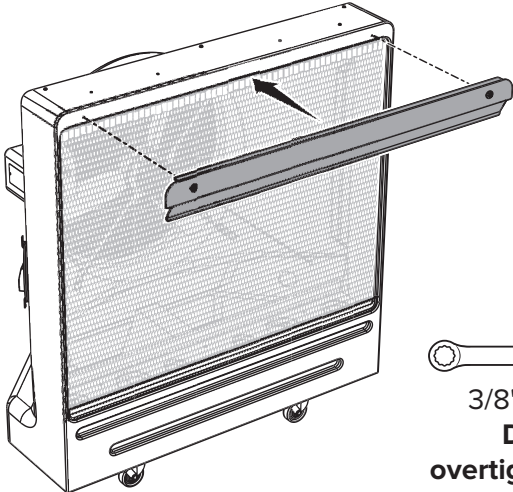
Orient according to the arrow markings on the media. The black coating should face outward.



## 2. Install water distribution pads



## 3. Install retainer bar



3/8" (10 mm)  
**Do not  
overtighten bolts.**

# TROUBLESHOOTING

**⚠ WARNING: ELECTRICAL SHOCK HAZARD.** Disconnect the power supply before performing service or maintenance. Failure to do so may result in serious injury or death.

**⚠ CAUTION:** Use caution when troubleshooting or repairing electrical components. Ensure power is disconnected from the cooler before the cooling media or fan guard is removed to gain access to the fan.

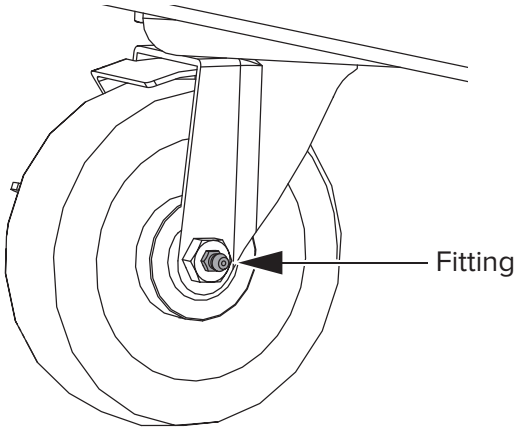
## Tools needed

- Screwdrivers
- Pliers
- Adjustable wrenches
- Volt/Ohm meter (electrical troubleshooting)

*Additional tools may be required.*

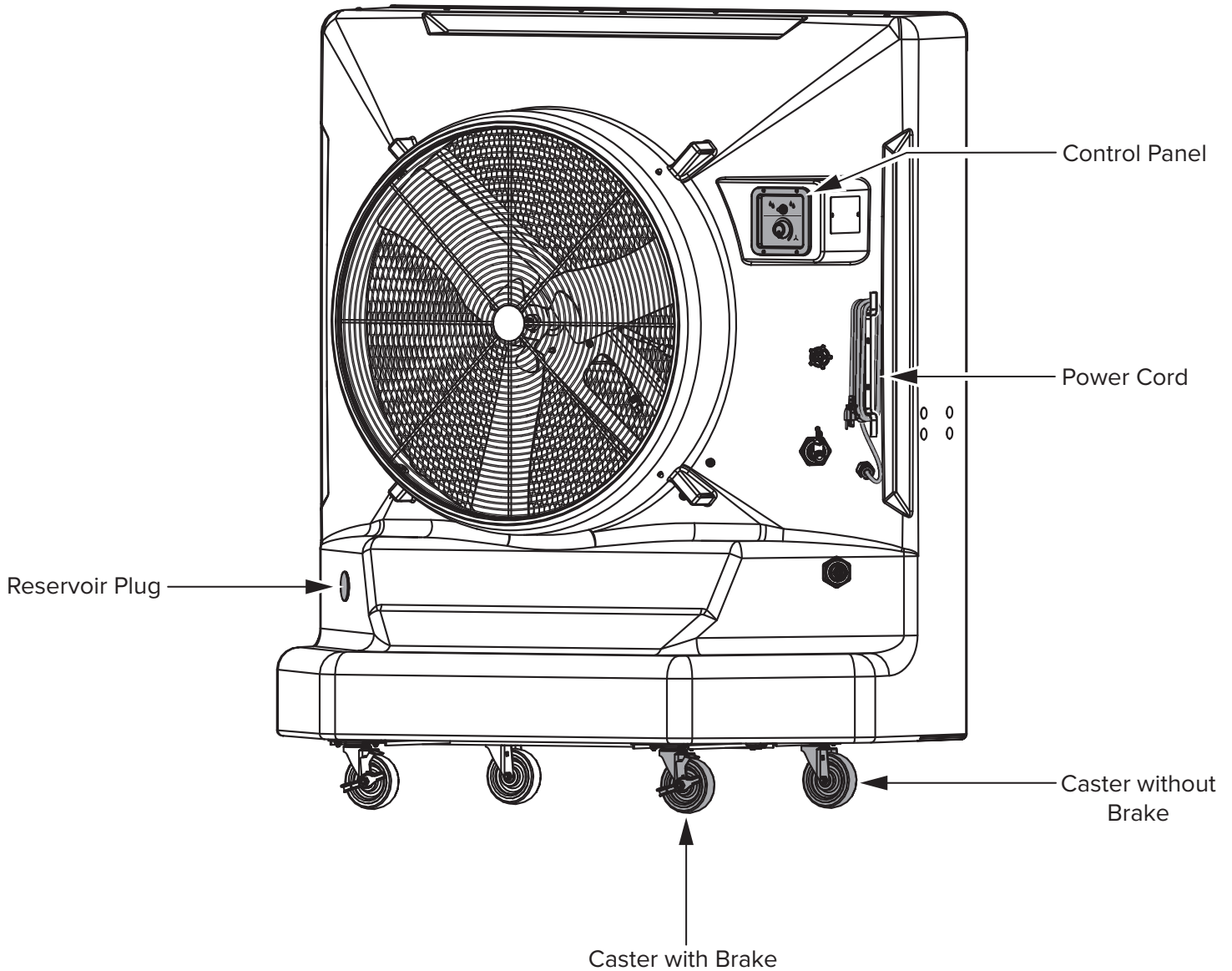
Issue	Solution(s)
Pump or fan will not start.	<ul style="list-style-type: none"> <li>• Make sure power cord is plugged in.</li> <li>• Make sure pump or fan is turned on.</li> <li>• Check circuit breaker or fuse panel for functionality.</li> <li>• Make sure supply power is adequate and functional. See page 1 for electrical requirements.</li> <li>• Check cooler's water level. Pump automatically shuts off if water level is too low. Pump may take up to five minutes to reset after cooler is refilled.</li> <li>• Make sure there are no obstructions in fan assembly or blades.</li> <li>• Check extension cord gauge. See page 1 for requirements.</li> <li>• Make sure back (inlet side) of cooler is clear of obstructions/walls. Provide minimum 3 ft (0.9 m) inlet clearance.</li> </ul>
Breaker trips or fuse blows when pump or fan is turned on.	<ul style="list-style-type: none"> <li>• Make sure supply power is adequate and functional. See page 1 for electrical requirements.</li> <li>• Check extension cord gauge. See page 1 for requirements.</li> </ul>
Pump runs but does not pump water.	<ul style="list-style-type: none"> <li>• Make sure flow control valve is open (counterclockwise).</li> <li>• Check cooler's water level.</li> </ul>
Floor around cooler is wet.	<ul style="list-style-type: none"> <li>• Make sure water supply hose is securely connected to cooler. Tighten connections if necessary.</li> <li>• Make sure drain plug on bottom of cooler is secure.</li> </ul>
Water is leaking from drain valve.	<ul style="list-style-type: none"> <li>• Make sure drain valve is fully closed.</li> </ul>
There are dry areas on the cooling media.	<ul style="list-style-type: none"> <li>• Use flow control valve to increase water flow.</li> <li>• Remove cooling media and check spray bar for clogged water distribution holes. Clean if necessary.</li> </ul>

# TROUBLESHOOTING

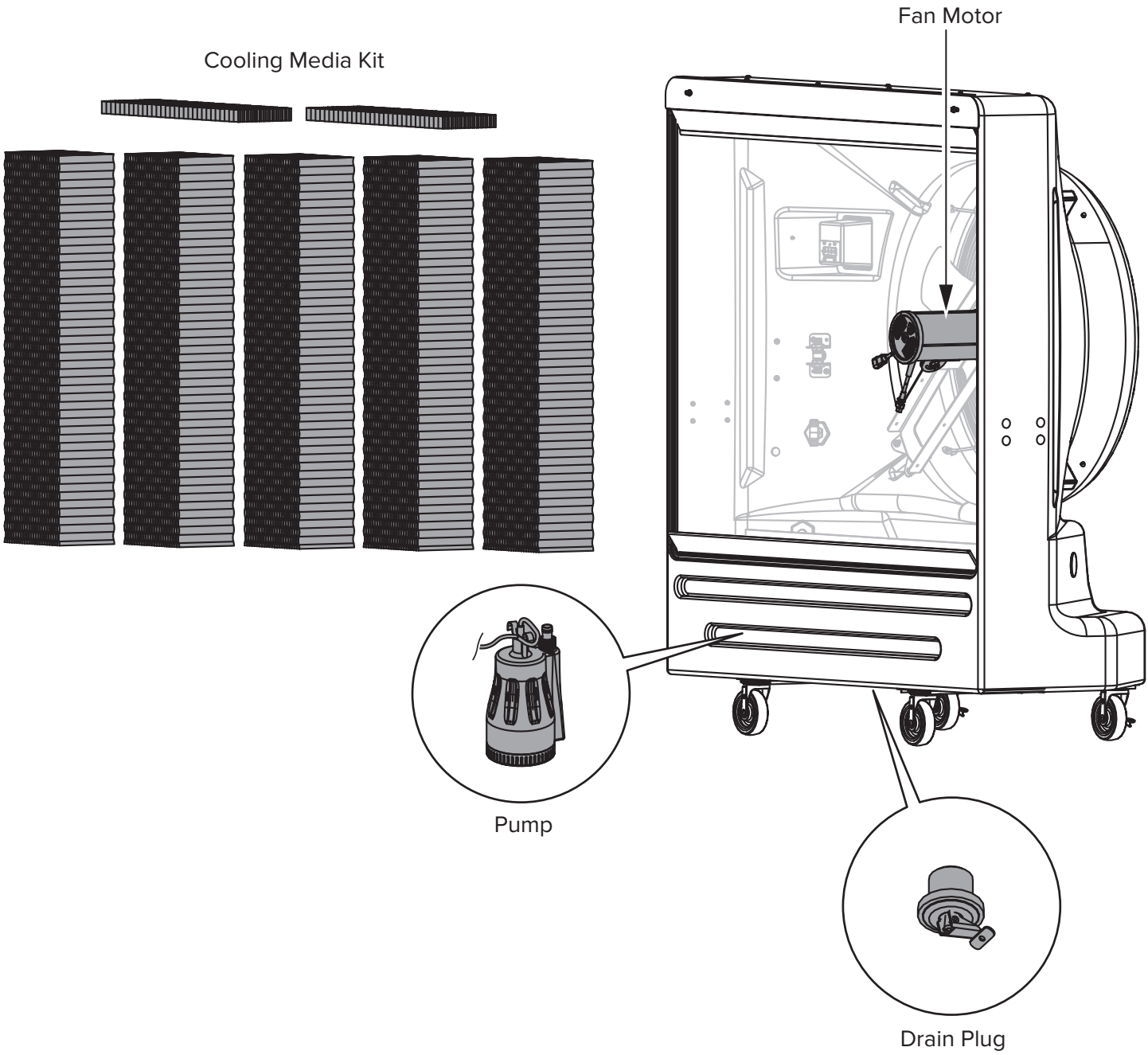
Issue	Solution(s)
<p>Water overflows from reservoir or spits from cooler.</p>	<ul style="list-style-type: none"> <li>• Check hoses and connections for leaks. Tighten connections if necessary.</li> <li>• Use flow control valve to reduce water flow.</li> <li>• Make sure cooling media is installed correctly and is not dirty or damaged.</li> <li>• Remove cooling media and check spray bar. Make sure water distribution holes are facing upward.</li> <li>• Check float valve hose connections. Tighten connections if necessary.</li> <li>• Make sure water supply pressure is below 60 PSI (4 bar/414 kPa) to allow cooler's float valve to shut off water flow.</li> </ul>
<p>Cooling media has scale and mineral buildup.</p>	<ul style="list-style-type: none"> <li>• Drain and clean cooler and cooling media, and then add two water treatment tablets to reservoir. Tablets can be purchased at <a href="http://bigassfans.com">bigassfans.com</a>.</li> <li>• If mineral buildup is heavy, replace cooling media. Replacement cooling media can be purchased at <a href="http://bigassfans.com">bigassfans.com</a>.</li> </ul>
<p>Casters are noisy.</p>	<ul style="list-style-type: none"> <li>• Lubricate caster fittings with a grease gun.</li> </ul> 

# REPLACEMENT PARTS INDEX

Visit [bigassfans.com](http://bigassfans.com) or contact Customer Service to purchase replacement parts.



# REPLACEMENT PARTS INDEX



# CONTACT US

---

**Customer Service**  
2348 Innovation Drive  
Lexington, KY 40511  
USA  
877-244-3267  
bigassfans.com

**Accessories and Replacement Parts**  
[www.bigassfans.com](http://www.bigassfans.com)



[www.bigassfans.com/support](http://www.bigassfans.com/support)

**FRANÇAIS**

# LISEZ ET CONSERVEZ CES INSTRUCTIONS



**AVERTISSEMENT : RISQUE DE DÉCHARGE ÉLECTRIQUE** Coupez l'alimentation avant d'effectuer tout entretien ou maintenance. Ne pas prendre cette précaution peut entraîner une blessure grave ou mortelle.

**ATTENTION : Ne pas connecter à une source d'eau ayant une pression supérieure à 60 PSI (4 bars/414 kPa).** Cela entraînera des dommages permanents au refroidisseur.

**ATTENTION : Si vous utilisez une rallonge, ne dépassez pas l'ampérage maximal de la rallonge.** Des rallonges trop petites provoquent des chutes de tension importantes, entraînant un échauffement excessif du moteur électrique. Cela occasionne un fonctionnement inefficace et une défaillance prématurée du moteur et annulera la garantie.

**ATTENTION : Procédez avec prudence lors du dépannage ou de la réparation de composants électriques.** Assurez-vous que l'alimentation est débranchée du refroidisseur avant que le tampon de refroidissement ou la protection du ventilateur ne soit retiré pour accéder au ventilateur.

**ATTENTION : Les réparations doivent être effectuées par un technicien qualifié.**

**ATTENTION : Si le cordon d'alimentation est endommagé, il doit être remplacé par le fabricant, son agent de service ou des personnes possédant les mêmes qualifications afin d'éviter tout danger.**

**MISE EN GARDE : La garantie sur les produits Big Ass Fans ne couvre pas l'équipement endommagé ou les défaillances causées par une installation ou un usage inadéquat.**

**ATTENTION : Une utilisation prolongée d'eau dure sans traitement adéquat créera une accumulation de dépôts minéraux.** Cela entraînera une défaillance de la pompe qui n'est **PAS COUVERTE PAR LA GARANTIE**.

**DANGER : Danger pour les humains et les animaux domestiques.** Garder les pastilles de traitement de l'eau hors de portée des enfants. Peut causer des lésions sévères des yeux et de la peau. Tenir à l'écart des yeux, de la peau et des vêtements. Nocif en cas d'ingestion.

**DANGER : Portez un écran facial ou des lunettes de protection et des gants en caoutchouc lors de la manipulation des pastilles de traitement des eaux.** En cas de contact, rincez à l'eau et consultez un médecin.

**AVERTISSEMENT : Pour éviter toute contamination, ne stockez pas les pastilles de traitement de l'eau à proximité d'eau potable, de nourriture ou d'aliments pour animaux.** Ne réutilisez pas le récipient vide. Éliminez le contenu/récipient conformément aux réglementations locales, régionales, nationales et internationales.

**ATTENTION : Sachez qu'un taux d'humidité élevé peut favoriser la croissance d'organismes biologiques dans l'environnement.**

**ATTENTION : Ne laissez jamais d'eau dans le réservoir lorsque l'appareil n'est pas utilisé.**

L'appareil n'est pas destiné à une utilisation par des enfants ou par des personnes ayant des capacités physiques, sensorielles ou mentales réduites, ou un manque d'expérience ou de connaissances, à moins d'obtenir la supervision et les instructions nécessaires.

Il est important d'indiquer aux enfants supervisés de ne pas jouer autour de l'appareil.

Le nettoyage et l'entretien par l'utilisateur ne doivent pas être effectués par des enfants sans supervision.



Guide d'installation  
Révision C  
07/07/2023



Instructions originales en anglais

[www.bigassfans.com/support](http://www.bigassfans.com/support)

Une installation, une livraison ou un entretien non conforme, incluant, sans s'y limiter, l'une des actions suivantes par le client ou son agent constitue une violation de toutes les garanties et les rendra nulles :

- Le non-respect des procédures d'installation requises spécifiées dans ce Guide d'installation et dans toute autre documentation fournie avec les refroidisseurs et les équipements connexes, y compris la documentation fournie par les fabricants des refroidisseurs individuels et des composants de contrôle;
- Le fait de ne pas suivre tous les codes et règlements applicables incluant, sans toutefois s'y limiter, le National Electrical Code (États-Unis), les codes de l'électricité nationaux ou locaux applicables et les codes du bâtiment de l'État ou locaux;
- Le non-respect des normes de l'industrie du génie électrique concernant la méthode approuvée d'installation d'équipements électriques à semi-conducteurs présentant les caractéristiques des refroidisseurs, des commandes des refroidisseurs et de leurs composants connexes, même si ces normes ne sont pas spécifiquement mentionnées dans les instructions ou la documentation fournies par BigAss Fans ou fournies par les fabricants.

Toutes les marques de commerce mentionnées ici appartiennent à leurs propriétaires respectifs. Aucune partie de ce document ne peut être reproduite ou traduite dans une autre langue sans l'accord préalable écrite de Big Ass Fans. Les renseignements contenus dans ce document peuvent être modifiés sans préavis. Pour obtenir les informations les plus récentes, veuillez consulter le guide d'installation imprimable au [www.bigassfans.com](http://www.bigassfans.com)

Brevet : [www.bigassfans.com/patents](http://www.bigassfans.com/patents) • [www.bigassfans.com/product-warranties](http://www.bigassfans.com/product-warranties)



# AVANT DE COMMENCER

- ☑ Assurez-vous que l'intérieur du refroidisseur est propre et que le réservoir d'eau est exempt de saleté et de débris.
- ☑ Placez le refroidisseur sur un sol plat.
- ☑ Positionnez le refroidisseur de manière à ce que les obstacles tels que les supports et les établis n'interfèrent pas avec le débit d'air.
- ☑ Fournir de l'air pu ininterrompu et maintenir un dégagement minimal de **0,9 m (3 pi)** derrière le refroidisseur.
- ☑ Assurez une ventilation adéquate. Ne pas utiliser le refroidisseur dans un espace clos.
- ☑ Assurez-vous que l'air frais déchargé sera exempt d'obstructions.
- ☑ Veillez à ce que la pression d'alimentation en eau ne dépasse pas **60 PSI (4 bars/414 kPa)**.
- ☑ Assurez-vous que le refroidisseur est branché à un circuit à fusibles ou protégé par un disjoncteur. Reportez-vous aux tableaux ci-dessous pour connaître les exigences électriques.
- ☑ Si vous utilisez une rallonge, utilisez un cordon de calibre 12 si le cordon est inférieur à 15 m (50 pi) ou un cordon de calibre 10 si le cordon est supérieur à 15 m (50 pi). Reportez-vous aux tableaux ci-dessous pour obtenir plus de détails.

## Exigences électriques

Modèle	Volts +/- 10 %	Fréquence	Taille min. du circuit	Ampères
Cool-Space® 400	100–120 V	60 Hz	15 A	8,75 A
	200–240 V	50/60 Hz	10 A	5,52 A

## Exigences pour les rallonges robustes à trois conducteurs (120 V)

Longueur du cordon	Taille de la rallonge			
	Calibre 16	Calibre 14	Calibre 12	Calibre 10
0–15 m (0–50 pi)	13 A	18 A	25 A	30 A
15–30 m (50–100 pi)	10 A	13 A	18 A	25 A

## Exigences pour les rallonges robustes à trois conducteurs (220/230 V)

Longueur du cordon	Taille de la rallonge			
	1,5 mm <sup>2</sup>	2,5 mm <sup>2</sup>	4 mm <sup>2</sup>	5 mm <sup>2</sup>
6 m	13 A	15 A	15 A	15 A
16 m	13 A	14 A	15 A	15 A
32 m	10 A	12 A	13 A	15 A

Ce produit a un indice de protection IPX5 : Protection contre la pénétration de l'eau.

# FONCTIONNEMENT

---

## 1. Remplissez le refroidisseur

Branchez une extrémité d'un boyau d'arrosage à l'alimentation en eau et l'autre extrémité à l'entrée d'alimentation en eau du refroidisseur. Ouvrez l'alimentation en eau. Le débit d'eau s'arrête automatiquement lorsque le refroidisseur est plein.

## 2. Branchez le refroidisseur

Branchez le cordon d'alimentation à un circuit à fusibles ou protégé par disjoncteur.

## 3. Mettez la pompe en marche

**Assurez-vous que la vanne de vidange du refroidisseur est complètement fermée.** Activez l'interrupteur de la pompe.

## 4. Ajustez le débit d'eau

Ajustez le régulateur de débit jusqu'à ce qu'un débit d'eau visible s'écoule uniformément dans le fluide de refroidissement. Assurez-vous que l'eau ne s'écoule pas à l'extérieur du refroidisseur.

## 5. Vidangez le nouveau tampon de refroidissement

**Omettez cette étape si vous n'utilisez pas de nouveaux tampons de refroidissement.**

Lorsque vous démarrez le refroidisseur pour la première fois ou après avoir remplacé le tapon de refroidissement, faites fonctionner la pompe pendant cinq heures sans que le ventilateur ne tourne afin de rincer le nouveau fluide.

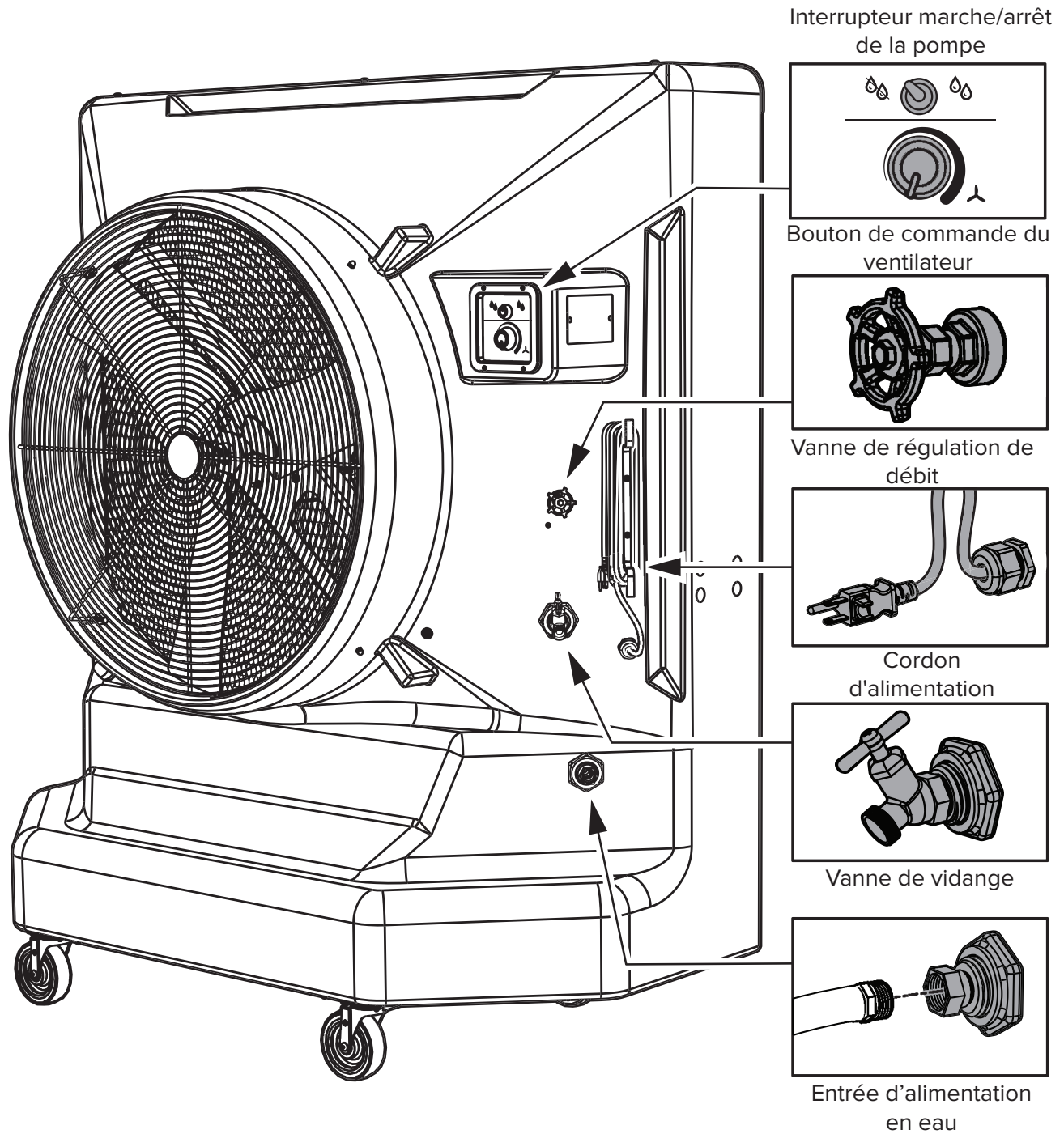
## 6. Mettez le ventilateur en marche

Allumez le bouton de commande du ventilateur et réglez la vitesse.

## 7. Arrêtez le refroidisseur

Éteignez la pompe et laissez le ventilateur fonctionner pendant 30 minutes pour sécher le tampon de refroidissement, puis éteignez le ventilateur. **Laissez le tampon de refroidissement sécher complètement une fois toutes les 24 heures pour éviter la croissance des algues.**

# FONCTIONNEMENT



# ENTRETIEN

**⚠ AVERTISSEMENT : RISQUE DE DÉCHARGE ÉLECTRIQUE** Coupez l'alimentation avant d'effectuer tout entretien ou maintenance. Ne pas prendre cette précaution peut entraîner une blessure grave ou mortelle.

## Chaque jour

- ☑ Laissez le tampon de refroidissement sécher complètement une fois toutes les 24 heures pour éviter la croissance des algues.

## Chaque semaine

- ☑ Vérifiez que le tampon de refroidissement n'est pas courbé, affaissé ou sec.
- ☑ Retirez le tampon de refroidissement (voir page 6) et inspectez le réservoir d'eau. Enlevez tous les débris et assurez-vous que le réservoir est propre.
- ☑ Vérifiez l'absence de fuites dans le système de distribution d'eau et vérifiez que les trous de la barre de vaporisation ne sont pas bouchés.

## Deux fois par semaine



- ☑ Nettoyez le réservoir d'eau tous les trois jours. Reportez-vous à la page suivante pour obtenir les instructions de vidange et de nettoyage.

## Chaque mois

- ☑ Ajoutez deux pastilles de traitement de l'eau au réservoir du refroidisseur pour éviter l'accumulation de tartre et de minéraux (*Fig. 1*). Les pastilles peuvent être achetés sur [bigassfans.com](http://bigassfans.com). Il peut être nécessaire d'ajouter des comprimés plus souvent si la qualité de l'eau est mauvaise.

## Chaque trimestre

- ☑ Égouttez et nettoyez le réservoir d'eau, le système de distribution d'eau et le tampon de refroidissement. Reportez-vous à la page suivante pour obtenir les instructions de vidange et de nettoyage.
- ☑ Vérifiez que tous les composants du refroidisseur ne sont pas fissurés ou endommagés, y compris la pompe et le moteur du ventilateur.
- ☑ Assurez-vous que la soupape à flotteur du refroidisseur coupe automatiquement le débit d'eau lorsque le refroidisseur est plein.

## Chaque année ou chaque trois ans

- ☑ Remplacez le fluide de refroidissement. Les fluides de refroidissement de remplacement peuvent être achetés au [bigass fans.com](http://bigassfans.com). Le tampon peut devoir être remplacé plus souvent s'il est fortement taché par des minéraux ou s'il est endommagé. Reportez-vous aux pages 6 et 7 pour obtenir des instructions sur le retrait et l'installation des fluides de refroidissement.

## Stockage/préparation pour l'hiver

- ☑ Égouttez et nettoyez le réservoir d'eau, le système de distribution d'eau et le tampon de refroidissement. Reportez-vous à la page suivante pour obtenir les instructions de vidange et de nettoyage.
- ☑ Pour éviter le gel dans la conduite d'eau du refroidisseur, débranchez l'alimentation en eau, puis ouvrez la vanne de régulation de débit et la vanne de vidange pour assécher le réservoir.
- ☑ Rangez le refroidisseur dans un endroit sec et couvrez-le pour éviter les dommages et l'accumulation de poussière. Les housses de rangement peuvent être achetées à la [bigassfans.com](http://bigassfans.com).

## Drainage et nettoyage du refroidisseur

### 1. Refroidisseur de vidange

- a. Option A : Fermer la vanne de régulation de débit. Raccordez le boyau d'arrosage à la vanne de vidange à l'avant du refroidisseur (en option, *Fig. 1*). Ouvrez la vanne de vidange. Faites fonctionner la pompe jusqu'à ce que le réservoir soit sec, puis éteignez immédiatement la pompe.
- b. Option B : Retirez le bouchon de vidange du fond du refroidisseur (*Fig. 1*). Laissez l'eau s'écouler, puis remplacez le bouchon de vidange. **N'inclinez pas le refroidisseur pour retirer ou remplacer le bouchon de vidange.**

### 2. Éteindre et débrancher le refroidisseur.

### 3. Retirez le fluide de refroidissement (voir page 6) et nettoyez-le avec de l'eau et une brosse douce. **N'utilisez pas d'eau de Javel, de vinaigre ou d'autres nettoyants agressifs.**

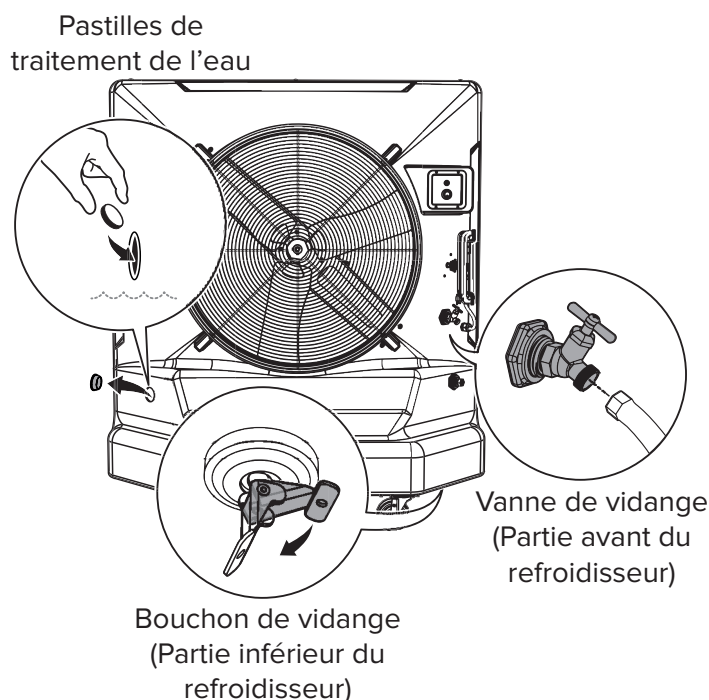
### 4. Nettoyez le réservoir d'eau avec une serviette ou un aspirateur à eau/sec.

### 5. Retirez la barre de pulvérisation des attaches de fixation et retirez la fiche à l'extrémité de la barre de pulvérisation (*Fig. 2*). Assurez-vous que les trous de distribution d'eau sont exempts de débris. **Assurez-vous que les trous de distribution d'eau sont orientés vers le haut.**

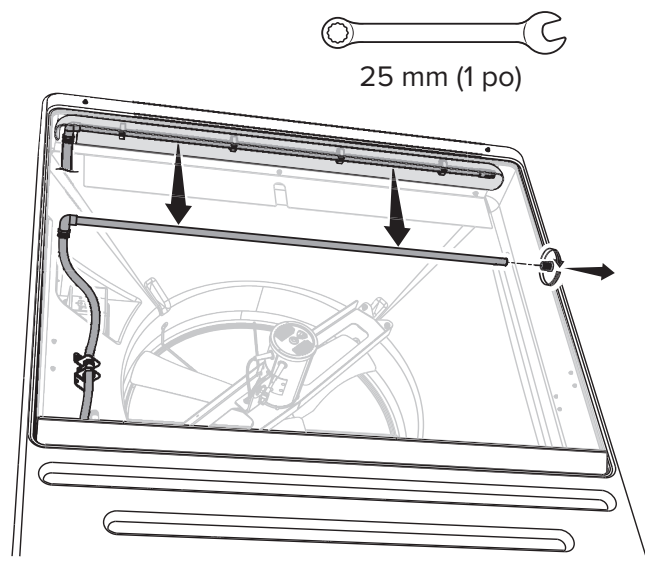
### 6. Réinstallez le tampon de refroidissement (voir page 7).

### 7. Rechargez le refroidisseur avec de l'eau (sauf si vous le rangez ou si vous l'utilisez).

*Fig. 1*



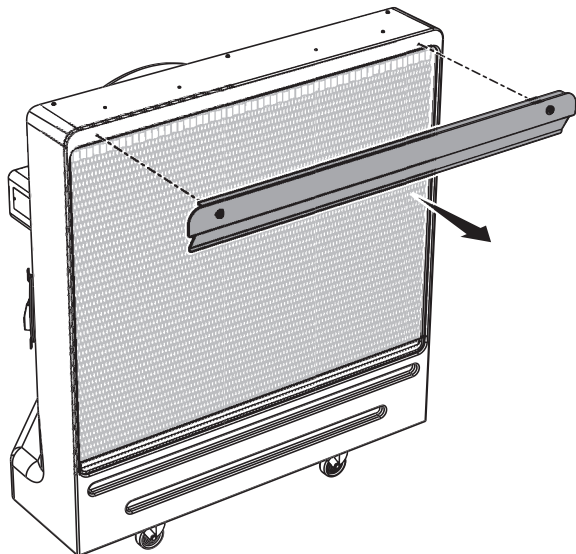
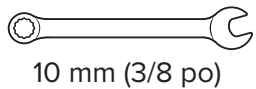
*Fig. 2*



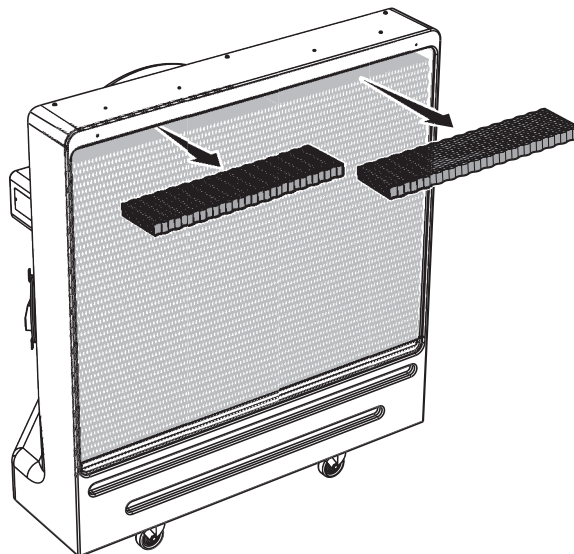
**Assurez-vous que les trous de distribution d'eau de la barre de pulvérisation sont orientés vers le haut.**

## Retrait du tampon de refroidissement

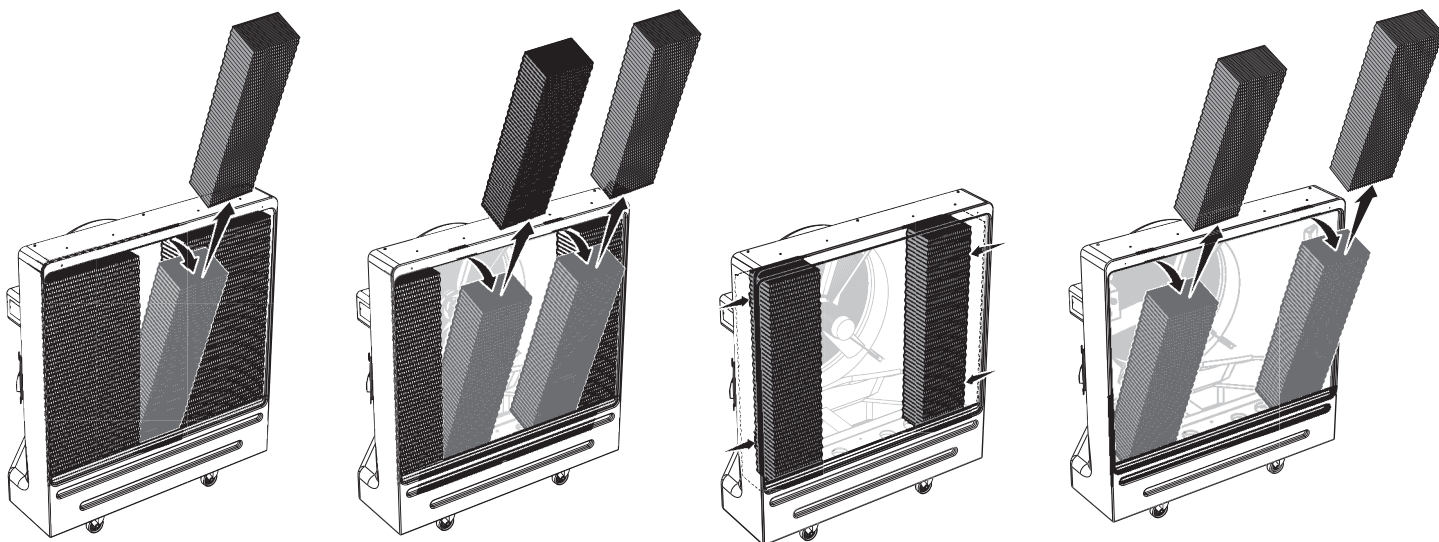
### 1. Retirez la barre de retenue



### 2. Retirez les tampons de distribution d'eau



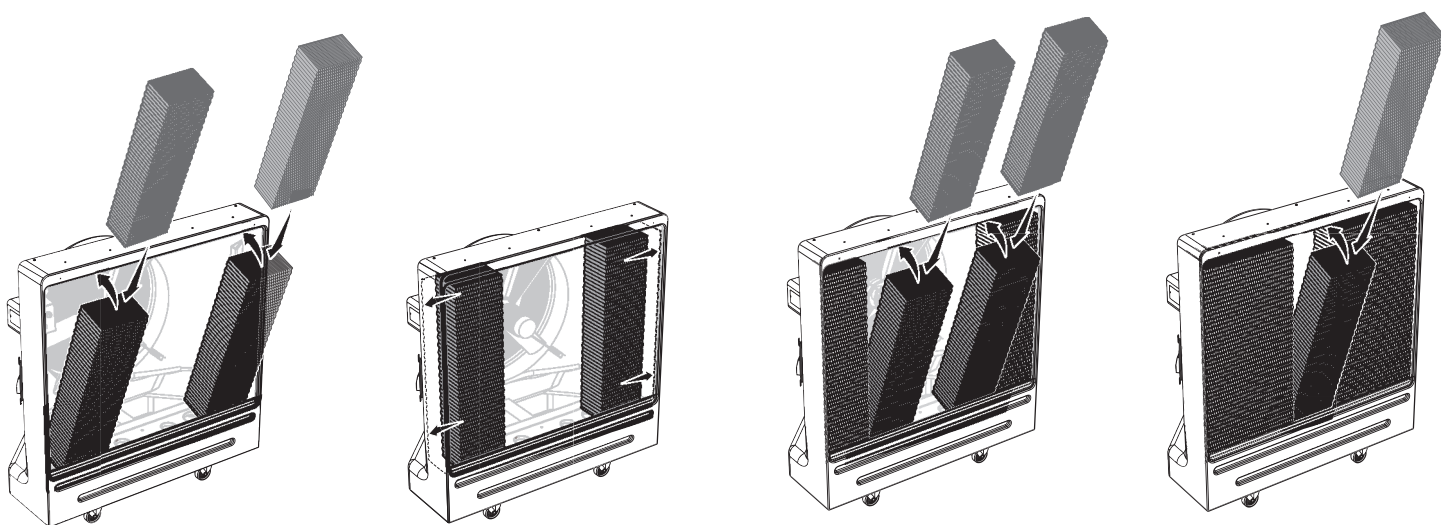
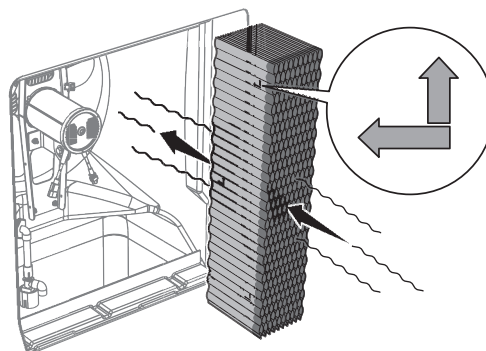
### 3. Retirez le tampon de refroidissement



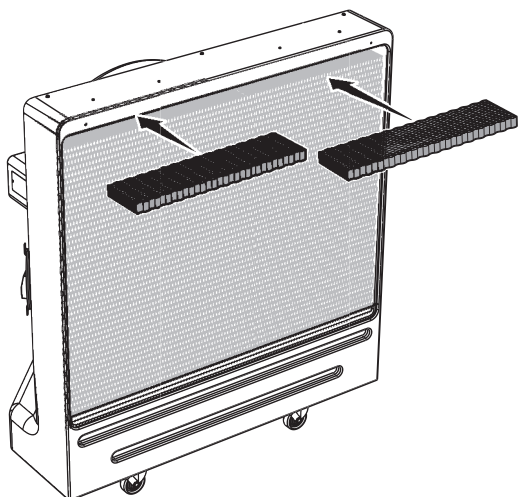
# Installation du tampon de refroidissement

## 1. Orientez et installez le tampon de refroidissement

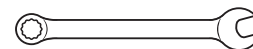
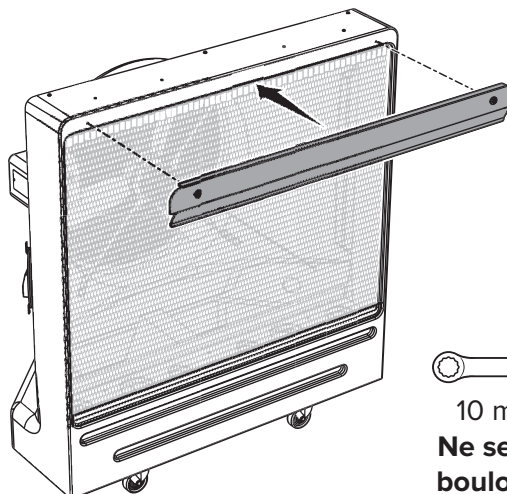
Orientez-le en fonction des marques de flèche sur le média. L'enduit noir doit faire face vers l'extérieur.



## 2. Installez les tampons de distribution d'eau



## 3. Installez la barre de retenue



10 mm (3/8 po)  
**Ne serrez pas les  
 boulons de façon  
 excessive.**

# DÉPANNAGE

**⚠ AVERTISSEMENT : RISQUE DE DÉCHARGE ÉLECTRIQUE** Coupez l'alimentation avant d'effectuer tout entretien ou maintenance. Ne pas prendre cette précaution peut entraîner une blessure grave ou mortelle.

**⚠ ATTENTION : Procédez avec prudence lors du dépannage ou de la réparation de composants électriques.** Assurez-vous que l'alimentation est débranchée du refroidisseur avant que le tampon de refroidissement ou la protection du ventilateur ne soit retiré pour accéder au ventilateur.

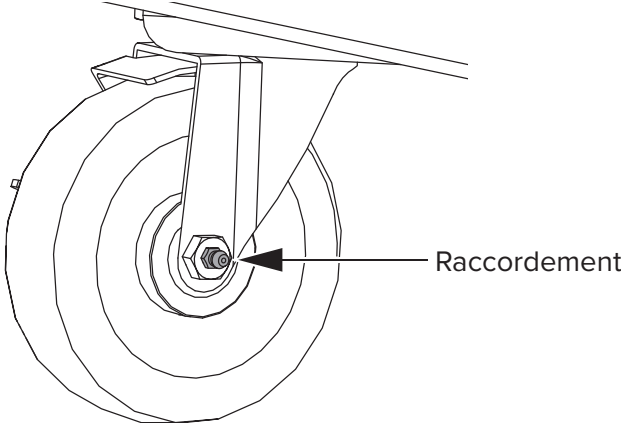
## Outils requis

- Tournevis
- Pincés
- Clés à molette
- Voltmètre/Ohmmètre (dépannage électrique)

*Des outils additionnels peuvent être requises.*

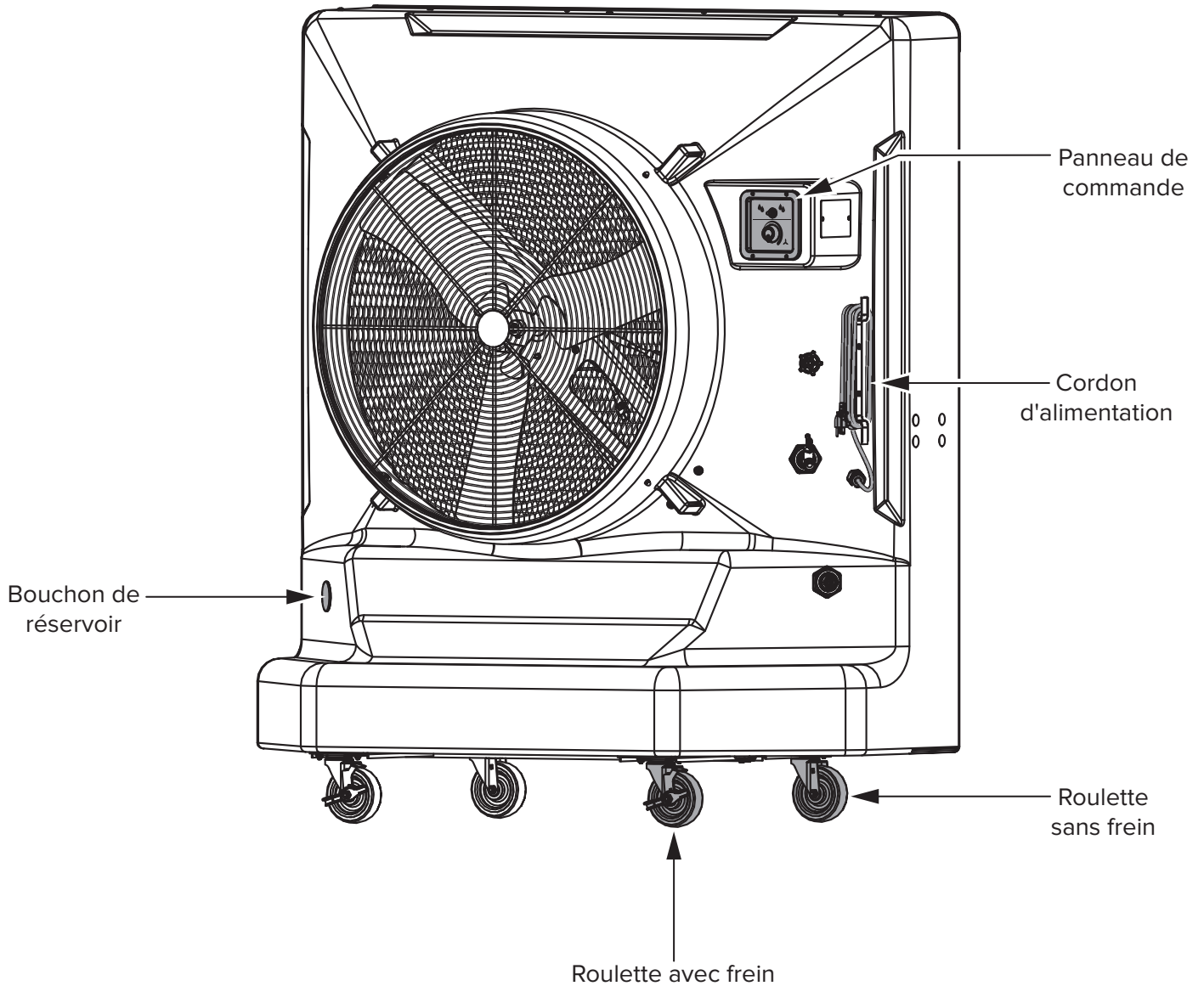
Problème	Solution(s)
La pompe ou le ventilateur ne démarrera pas.	<ul style="list-style-type: none"><li>• Assurez-vous que le cordon d'alimentation est branché.</li><li>• Assurez-vous que la pompe ou le ventilateur est en marche.</li><li>• Vérifiez le bon fonctionnement du disjoncteur ou du panneau de fusible.</li><li>• Assurez-vous que l'alimentation électrique est adéquate et fonctionnelle. Reportez-vous à la page 1 pour connaître les exigences électriques.</li><li>• Vérifiez le niveau d'eau du refroidisseur. La pompe s'arrête automatiquement si le niveau d'eau est trop bas. La réinitialisation de la pompe peut prendre jusqu'à cinq minutes après le remplissage du refroidisseur.</li><li>• Assurez-vous qu'il n'y a pas d'obstructions dans l'assemblage ou les pales du ventilateur.</li><li>• Vérifiez le calibre de la rallonge. Voir la page 1 pour les exigences.</li><li>• Assurez-vous que l'arrière (côté entrée) du refroidisseur est libre d'obstructions/murs. Laisser un dégagement minimum à l'entrée de 3 pi (0,9 m).</li></ul>
Le disjoncteur se déclenche ou le fusible saute lorsque la pompe ou le ventilateur est mis en marche.	<ul style="list-style-type: none"><li>• Assurez-vous que l'alimentation électrique est adéquate et fonctionnelle. Reportez-vous à la page 1 pour connaître les exigences électriques.</li><li>• Vérifiez le calibre du cordon d'extension. Reportez-vous à la page 1 pour connaître les exigences.</li></ul>
La pompe fonctionne mais ne pompe pas d'eau.	<ul style="list-style-type: none"><li>• Assurez-vous que la vanne de contrôle du débit est ouverte (dans le sens inverse des aiguilles d'une montre).</li><li>• Vérifiez le niveau d'eau du refroidisseur.</li></ul>
Le sol autour du refroidisseur est mouillé.	<ul style="list-style-type: none"><li>• Assurez-vous que le boyau d'alimentation en eau est bien branché au refroidisseur. Serrez les raccords si nécessaire.</li><li>• Assurez-vous que le bouchon de vidange au fond du refroidisseur est bien fixé.</li></ul>



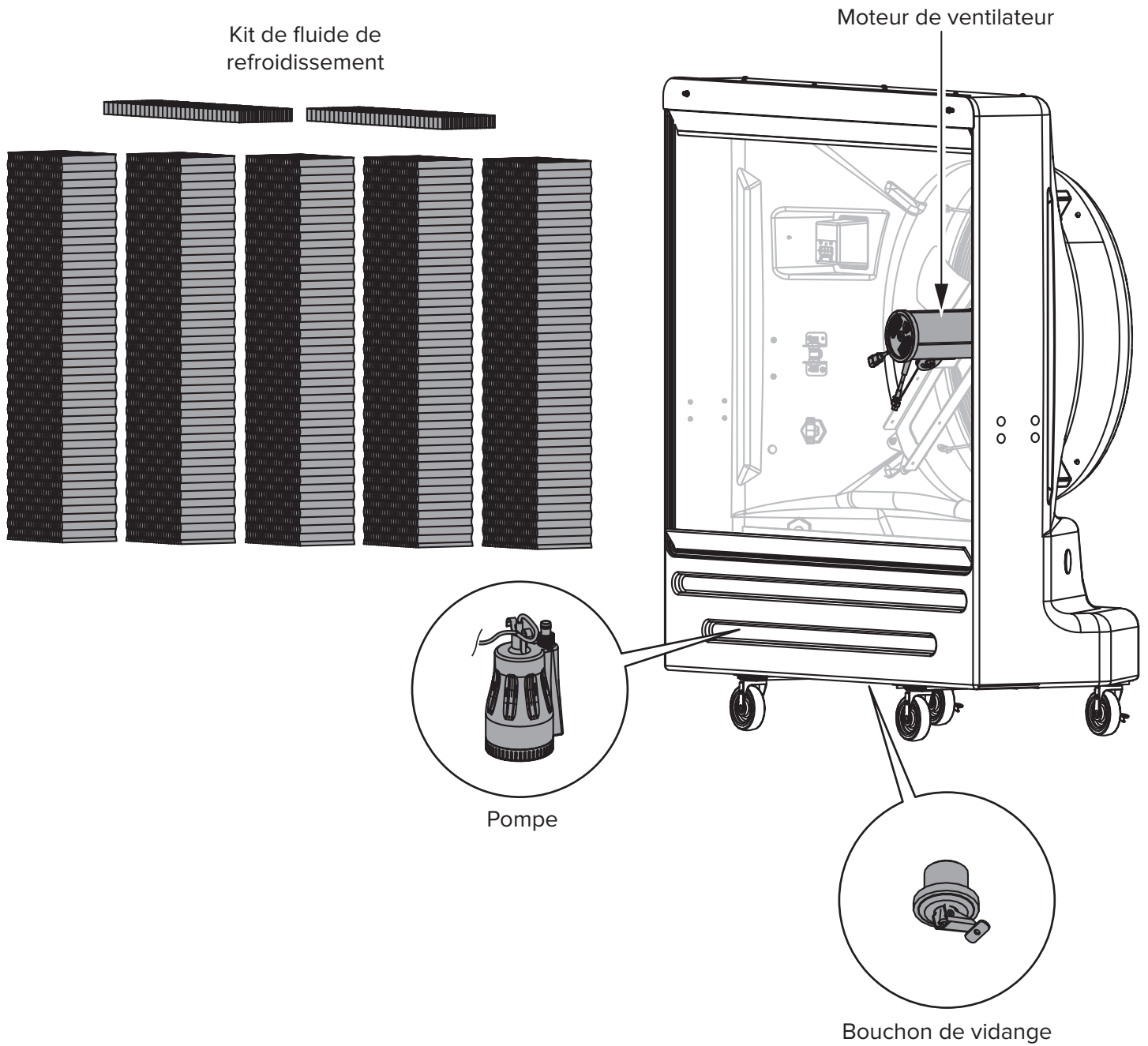
Problème	Solution(s)
L'eau s'écoule de la soupape de vidange.	<ul style="list-style-type: none"> <li>Assurez-vous que la valve de vidange est complètement fermée.</li> </ul>
Il y a des zones sèches sur les tampons de refroidissement.	<ul style="list-style-type: none"> <li>Utilisez la soupape de contrôle de débit pour augmenter le débit d'eau.</li> <li>Retirez le fluide de refroidissement et vérifiez que la barre de pulvérisation n'est pas obstruée par les trous de distribution d'eau. Nettoyez au besoin.</li> </ul>
L'eau déborde du réservoir est projetée à travers le refroidisseur.	<ul style="list-style-type: none"> <li>Vérifiez l'étanchéité des boyaux et des raccords. Serrez les raccords si nécessaire.</li> <li>Utilisez la soupape de contrôle de débit pour réduire le débit d'eau.</li> <li>Assurez-vous que le tampon de refroidissement est installé correctement et qu'il n'est pas sale ou endommagé.</li> <li>Retirez le fluide de refroidissement et vérifiez la barre de pulvérisation. Assurez-vous que les trous de distribution d'eau sont orientés vers le haut.</li> <li>Vérifiez les raccords du boyau de la soupape à flotteur. Serrez les raccords si nécessaire.</li> <li>Assurez-vous que la pression d'alimentation en eau est inférieure à 60 PSI (4 bars/414 kPa) pour permettre à la soupape à flotteur du refroidisseur d'arrêter le débit d'eau.</li> </ul>
Le tampon de refroidissement présente des dépôts de calcaire et de minéraux.	<ul style="list-style-type: none"> <li>Vidangez et nettoyez le refroidisseur et le fluide de refroidissement, puis ajoutez deux pastilles de traitement de l'eau au réservoir. Les tablettes peuvent être achetées à <a href="http://bigassfans.com">bigassfans.com</a>.</li> <li>Si les dépôts de minéraux sont importants, remplacez le tampon de refroidissement. Un tampon de refroidissement de remplacement peut être acheté à <a href="http://bigassfans.com">bigassfans.com</a>.</li> </ul>
Les roulettes sont bruyantes.	<ul style="list-style-type: none"> <li>Lubrifiez les raccords des roulettes avec un pistolet à graisse.</li> </ul> 

# INDEX DES PIÈCES DE RECHANGE

Rendez-vous au [bigassfans.com](http://bigassfans.com) ou communiquez avec le service à la clientèle pour acheter des pièces de rechange.



# INDEX DES PIÈCES DE RECHANGE



# NOUS JOINDRE

---

**Service à la clientèle**  
2348 Innovation Drive  
Lexington, KY 40511  
États-Unis  
1 877 244-3267  
bigassfans.com

**Accessoires et pièces de rechange**  
[www.bigassfans.com](http://www.bigassfans.com)



[www.bigassfans.com/support](http://www.bigassfans.com/support)

**ESPAÑOL**

---

# LEA Y GUARDE ESTAS INSTRUCCIONES



**ADVERTENCIA: PELIGRO DE DESCARGA ELÉCTRICA.** Desconecte la fuente de alimentación antes de realizar el servicio o mantenimiento. De lo contrario, pueden producirse lesiones graves o la muerte.

**PRECAUCIÓN:** No lo conecte a una fuente de agua donde la presión del agua exceda 60 PSI (4 bar/414 kPa). Esto causará daños permanentes al enfriador.

**PRECAUCIÓN:** Si utiliza un cable de extensión, no exceda los valores de amperaje de la extensión. Las extensiones de menor tamaño crean bajas excesivas de voltaje, lo que hace que el motor eléctrico genere un exceso de calor. Esto da como resultado un funcionamiento ineficiente y una falla prematura del motor, y anulará la garantía.

**PRECAUCIÓN:** Tenga cuidado al solucionar problemas o reparar todos los componentes eléctricos. Asegúrese de que la energía esté desconectada del enfriador antes de quitar los medios de enfriamiento o la protección del ventilador para obtener acceso al ventilador.

**PRECAUCIÓN:** Solo un técnico calificado debe realizar las reparaciones.

**PRECAUCIÓN:** Si el cable de alimentación está dañado, el fabricante, su agente de servicio o personas cualificadas deben reemplazarlo para evitar un peligro.

**PRECAUCIÓN:** La garantía del producto de Big Ass Fans no cubre daños o fallas en el equipo causados por una instalación o uso inadecuados.

**PRECAUCIÓN:** El uso prolongado de agua dura sin un tratamiento adecuado creará una acumulación de depósitos minerales. Esto hará que la bomba falle y **NO ESTÁ CUBIERTA POR LA GARANTÍA.**

**PELIGRO:** Es peligroso para humanos y animales domésticos. Mantenga las tabletas de tratamiento de agua fuera del alcance de los niños. Provocan daños graves en los ojos y en la piel. Mantenga alejado de los ojos, la piel y la ropa. Es nocivo si se ingiere.

**PELIGRO:** Use protector facial o lentes protectores y guantes de goma al manipular las tabletas de tratamiento de agua. En caso de contacto, enjuague con agua y acuda a su médico.

**ADVERTENCIA:** Para evitar la contaminación, no almacene las tabletas de tratamiento de agua cerca de agua potable, alimentos o piensos. No reutilice el contenedor vacío. Deseche el contenido y el contenedor de acuerdo con las normativas locales, regionales, nacionales o internacionales.

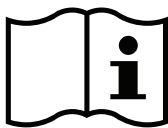
**PRECAUCIÓN:** Tenga en cuenta que los altos niveles de humedad pueden fomentar el crecimiento de organismos biológicos en el medio ambiente.

**PRECAUCIÓN:** Nunca deje agua en el depósito cuando el aparato no esté en uso.

El aparato no debe ser utilizado por niños o personas con capacidades físicas, sensoriales o mentales reducidas, o falta de experiencia y conocimiento, a menos que hayan recibido supervisión o instrucción.

Se debe indicar a los niños supervisados que no jueguen con el aparato.

La limpieza y el mantenimiento no deben estar a cargo de niños sin supervisión.



Guía de instalación  
Rev. C  
07/07/2023



Instrucciones originales en inglés

[www.bigassfans.com/support](http://www.bigassfans.com/support)

La instalación, entrega o mantenimiento inadecuados, que incluyen, entre otros, cualquiera de las siguientes acciones por parte del cliente o su representante constituirá una infracción y anulará todas las garantías:

- No seguir los procedimientos de instalación requeridos especificados en esta Guía de instalación y en el resto de la documentación suministrada con los enfriadores y el equipo relacionado, incluida la documentación proporcionada por los fabricantes de los componentes de control y enfriador individuales.
- El incumplimiento de todos los códigos y ordenanzas pertinentes, incluidos, entre otros, el Código Eléctrico Nacional (Estados Unidos), los códigos eléctricos locales y nacionales aplicables, y los códigos de construcción estatales y locales;
- El incumplimiento de los estándares de la industria de ingeniería eléctrica con respecto al método aprobado de instalación de equipos eléctricos de estado sólido que tienen las características de los enfriadores, los controles del enfriador y sus componentes relacionados, incluso si dichos estándares no se mencionan específicamente en las instrucciones o materiales suministrados por Big Ass Fans o los fabricantes.

Todas las marcas comerciales utilizadas en este documento son propiedad de sus respectivos dueños. Ninguna parte de este documento puede reproducirse o traducirse sin el consentimiento previo por escrito de Big Ass Fans. La información contenida en este documento está sujeta a cambios sin previo aviso. Para obtener la información más actualizada, consulte la guía de instalación que está disponible en línea para su impresión en [www.bigassfans.com](http://www.bigassfans.com).

Patente: [www.bigassfans.com/patents](http://www.bigassfans.com/patents) • [www.bigassfans.com/product-warranties](http://www.bigassfans.com/product-warranties)

# ANTES DE COMENZAR

- ☑ Asegúrese de que el interior del enfriador esté limpio y de que el depósito de agua esté libre de suciedad y residuos.
- ☑ Coloque el enfriador en un piso nivelado.
- ☑ Coloque el enfriador de modo tal que los obstáculos, como los estantes y los bancos de trabajo, no interfieran con el flujo de aire.
- ☑ Proporcione una entrada de aire fresco ininterrumpida y mantenga un espacio mínimo de **3 ft (0.9 m)** detrás del enfriador.
- ☑ Proporcione una ventilación adecuada. No opere el enfriador en un espacio cerrado.
- ☑ Asegúrese de que el aire frío descargado esté libre de obstrucciones.
- ☑ Asegúrese de que la presión del suministro de agua no supere **60 PSI (4 bar/414 kPa)**.
- ☑ Asegúrese de que el enfriador se enchufe a un circuito con fusibles o protegido por un disyuntor. Consulte las siguientes tablas para conocer los requisitos eléctricos.
- ☑ Si está utilizando un cable de extensión, use un cable de calibre 12 si mide menos de 50 ft (15 m) o uno de calibre 10 si mide más de 50 ft (15 m). Consulte las tablas a continuación para obtener más información.

## Requisitos eléctricos

Modelo	Voltios +/- 10%	Frecuencia	Tamaño del circuito mín.	Amperios en funcionamiento
Cool-Space® 400	100–120 V	60 Hz	15 A	8.75 A
	200–240 V	50/60 Hz	10 A	5.52 A

## Requisitos del cable de extensión de uso rudo de tres conductores (120 V)

Longitud del cable	Tamaño			
	16 GA	14 GA	12 GA	10 GA
0–50 ft (0–15 m)	13 A	18 A	25 A	30 A
50–100 ft (15–30 m)	10 A	13 A	18 A	25 A

## Requisitos del cable de extensión de uso rudo de tres conductores (220/230 V)

Longitud del cable	Tamaño			
	1.5 mm <sup>2</sup>	2.5 mm <sup>2</sup>	4 mm <sup>2</sup>	5 mm <sup>2</sup>
6 m	13 A	15 A	15 A	15 A
16 m	13 A	14 A	15 A	15 A
32 m	10 A	12 A	13 A	15 A

Este producto tiene una clasificación IP de IPX5: Protección contra la entrada de agua.

# OPERACIÓN

---

## 1. Llene el enfriador

Conecte un extremo de una manguera de jardín al suministro de agua y el otro extremo a la entrada del suministro de agua del enfriador. Abra el suministro de agua. El flujo de agua se cerrará automáticamente cuando el enfriador esté lleno.

## 2. Enchufe el enfriador

Enchufe el cable de alimentación en un circuito con fusibles o protegido por un disyuntor.

## 3. Encienda la bomba

**Asegúrese de que la válvula de drenaje del enfriador esté completamente cerrada.** Encienda el interruptor de encendido/apagado de la bomba.

## 4. Ajuste el flujo de agua

Ajuste la válvula de control de flujo hasta que un flujo visible de agua gotee uniformemente por los medios de enfriamiento. Asegúrese de que el agua no salpique fuera del enfriador.

## 5. Lave los nuevos medios de enfriamiento

**Omita este paso si no está utilizando nuevos medios de enfriamiento.**

Al encender el enfriador por primera vez o después de reemplazar los medios de enfriamiento, haga funcionar la bomba durante cinco horas sin el ventilador en funcionamiento para lavar el nuevo medio.

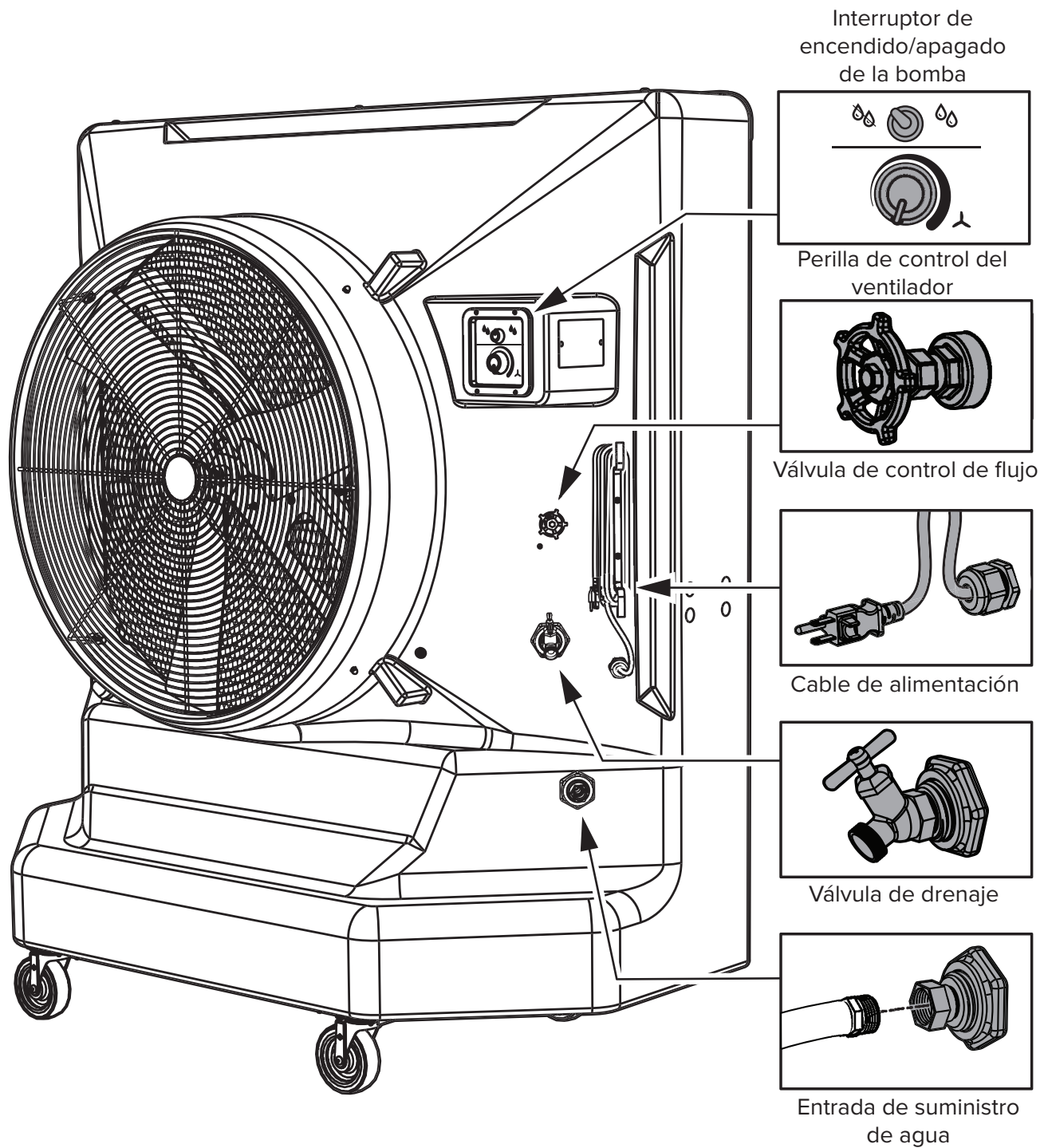
## 6. Encienda el ventilador

Encienda la perilla de control del ventilador y ajuste la velocidad a su configuración preferida.

## 7. Apague el enfriador

Apague la bomba y deje el ventilador funcionando durante 30 minutos para secar los medios de enfriamiento y luego apague el ventilador. **Permita que los medios de enfriamiento se sequen por completo una vez cada 24 horas para evitar el crecimiento de algas.**





# MANTENIMIENTO

**⚠️ ADVERTENCIA: PELIGRO DE DESCARGA ELÉCTRICA.** Desconecte la fuente de alimentación antes de realizar el servicio o mantenimiento. De lo contrario, pueden producirse lesiones graves o la muerte.

## Diariamente

- ☑ Deje que los medios de enfriamiento se sequen completamente una vez cada 24 horas para evitar el crecimiento de algas.

## Semanalmente

- ☑ Compruebe que los medios de enfriamiento no se arqueen, ni se hundan, ni tengan vetas secas.
- ☑ Retire los medios de enfriamiento (consulte la página 6) e inspeccione el depósito de agua. Retire cualquier residuo y asegúrese de que el depósito esté limpio.
- ☑ Compruebe si hay fugas en el sistema de distribución de agua y si hay agujeros obstruidos en la barra de rociado.

## Cada dos semanas



- ☑ Limpie el depósito de agua cada tres días. Consulte la página siguiente para ver las instrucciones de vaciado y limpieza.

## Mensualmente

- ☑ Agregue dos tabletas de tratamiento de agua al depósito del enfriador para evitar la acumulación de incrustaciones y minerales (*Fig. 1*). Las tabletas se pueden comprar en [bigassfans.com](http://bigassfans.com). Es posible que sea necesario agregar tabletas con mayor frecuencia si el agua es de mala calidad.

## Trimestralmente

- ☑ Drene y limpie el depósito de agua, el sistema de distribución de agua y los medios de enfriamiento. Consulte la página siguiente para ver las instrucciones de vaciado y limpieza.
- ☑ Compruebe si hay grietas o daños en todos los componentes del enfriador, incluidos la bomba y el motor del ventilador.
- ☑ Asegúrese de que la válvula flotante del enfriador cierre automáticamente el flujo de agua cuando el enfriador esté lleno.

## Anualmente o cada tres años

- ☑ Sustituya los medios de enfriamiento. Los medios de enfriamiento de repuesto pueden adquirirse en [bigassfans.com](http://bigassfans.com). Es posible que sea necesario sustituir los medios de enfriamiento con más frecuencia si se mancha mucho de minerales o se daña. Consulte las páginas 6 y 7 para obtener instrucciones sobre cómo retirar e instalar los medios de enfriamiento.

## Almacenamiento/preparación para el invierno

- ☑ Drene y limpie el depósito de agua, el sistema de distribución de agua y los medios de enfriamiento. Consulte la página siguiente para ver las instrucciones de vaciado y limpieza.
- ☑ Para evitar que se congele en la línea de agua del enfriador, desconecte el suministro de agua y luego abra la válvula de control de flujo y la válvula de drenaje para secar el depósito.
- ☑ Guarde el enfriador en una zona seca y cúbralo para evitar daños y acumulación de polvo. Las cubiertas de almacenamiento se pueden comprar en [bigassfans.com](http://bigassfans.com).

## Drenar y limpiar el enfriador

### 1. Enfriador de drenaje

- a. Opción A: cierre la válvula de control de flujo. Conecte la manguera de jardín a la válvula de drenaje en la parte delantera del enfriador (opcional, *Fig. 1*). Abra la válvula de drenaje. Haga funcionar la bomba hasta que el depósito esté seco y luego apáguela inmediatamente.
- b. Opción B: retire el tapón de drenaje de la parte inferior del enfriador (*Fig. 1*). Deje que el agua drene y luego reemplace el tapón de drenaje. **No incline el enfriador para quitar o reemplazar el tapón de drenaje.**

### 2. Apague y desenchufe el enfriador.

### 3. Retire los medios de enfriamiento (consulte la página 6) y límpielos con agua y un cepillo suave. **No utilice cloro, vinagre ni otros limpiadores fuertes.**

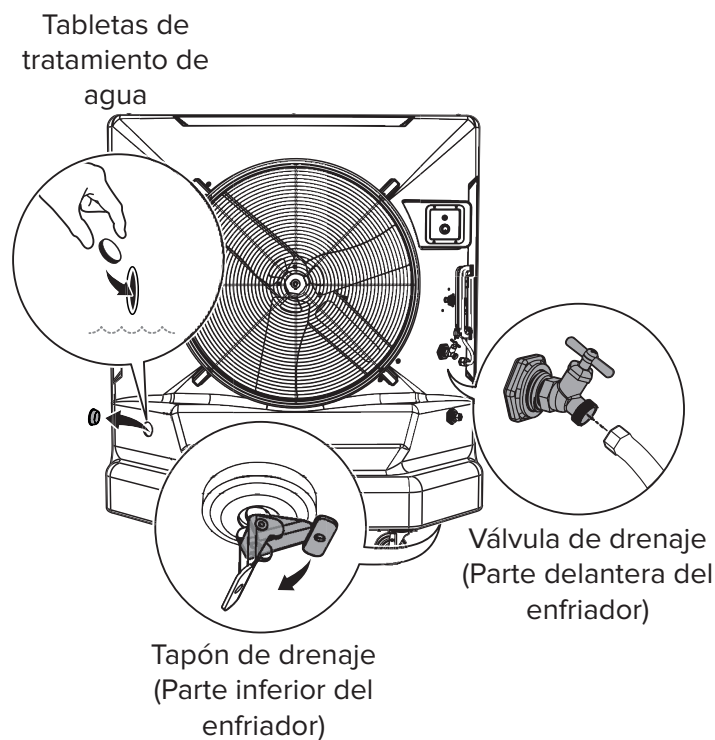
### 4. Limpie el depósito de agua con una toalla o una aspiradora en húmedo/seco.

### 5. Retire la barra de rociado de los clips de montaje y retire el tapón en el extremo de la barra de rociado (*figura 2*). Asegúrese de que los orificios de distribución de agua estén libres de residuos. Vuelva a colocar el tapón a la barra de rociado y vuelva a instalarla en los clips de montaje. **Asegúrese de que los orificios de distribución de agua estén orientados hacia arriba.**

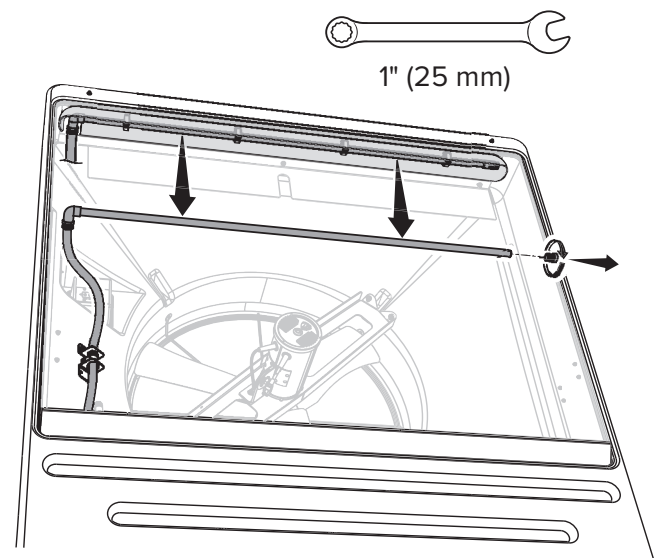
### 6. Vuelva a instalar los medios de enfriamiento (consulte la página 7).

### 7. Rellene el enfriador con agua (a menos que se almacene o se prepare para el invierno).

**Fig. 1**



**Fig. 2**

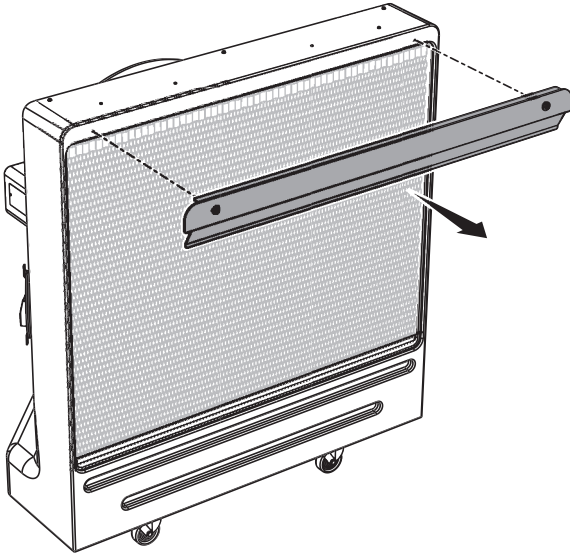
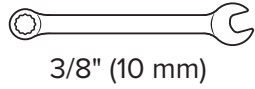


**Asegúrese de que los orificios de distribución de agua de la barra de rociado estén orientados hacia arriba.**

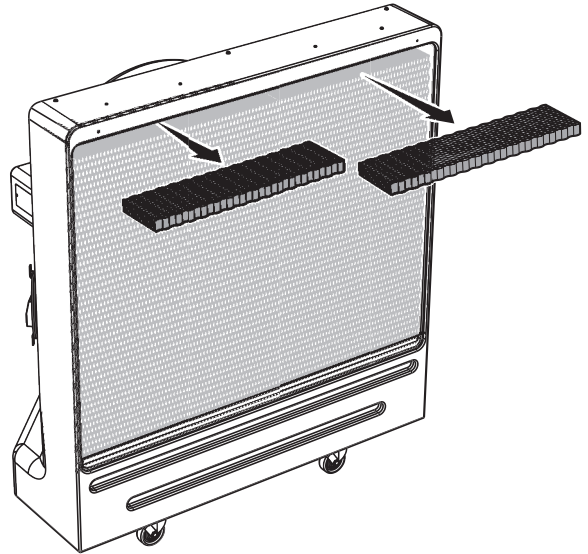
# MANTENIMIENTO

## Retirar los medios de enfriamiento

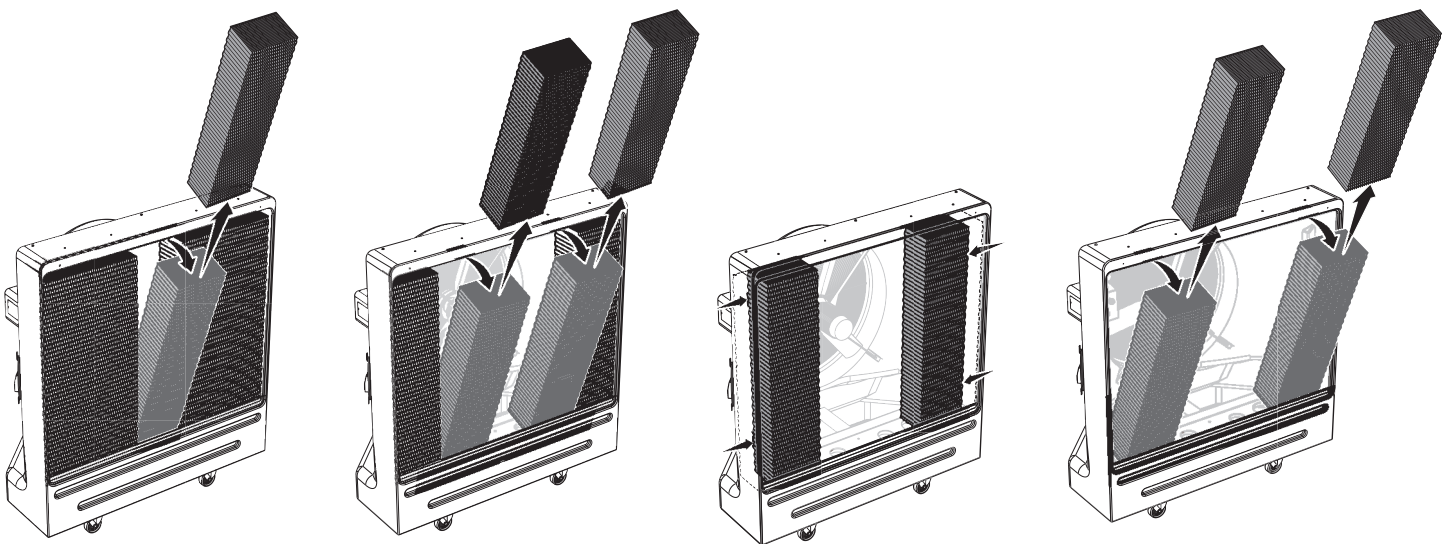
### 1. Retire la barra de retención



### 2. Retire las almohadillas de distribución de agua



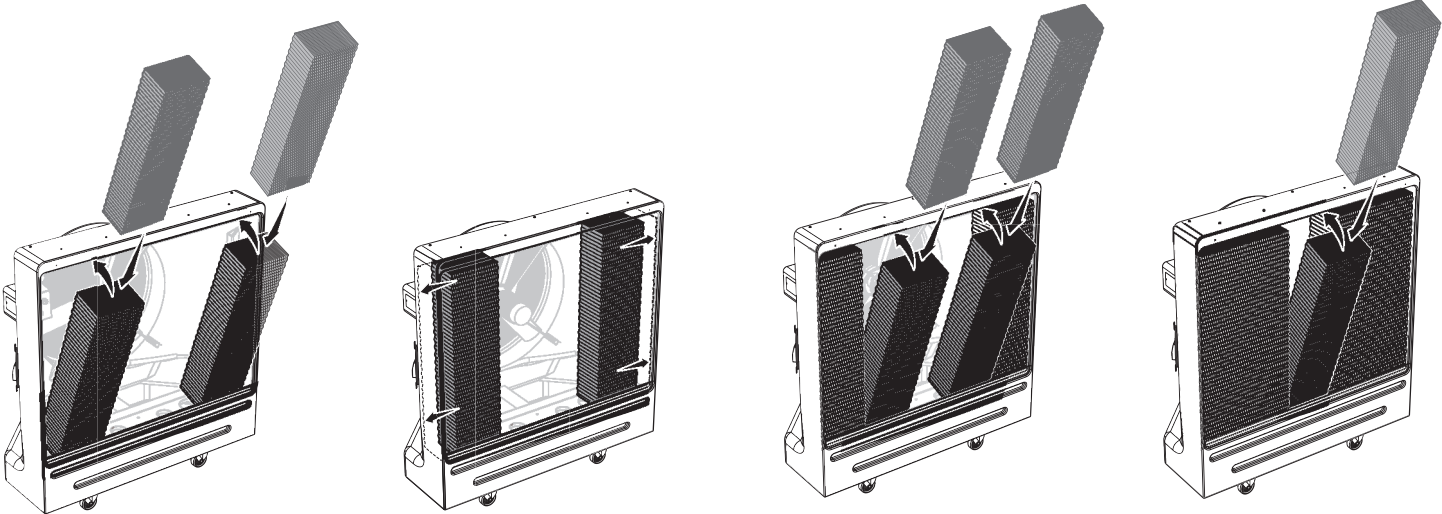
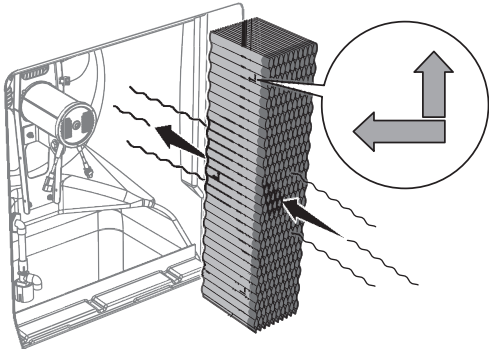
### 3. Retire los medios de enfriamiento



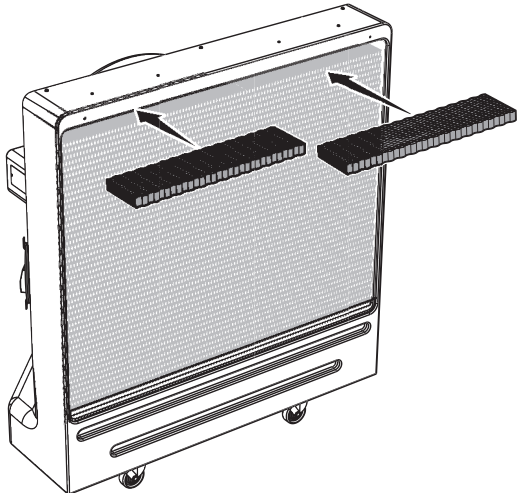
# Instalar los medios de enfriamiento

## 1. Oriente e instale los medios de enfriamiento

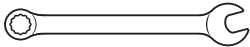
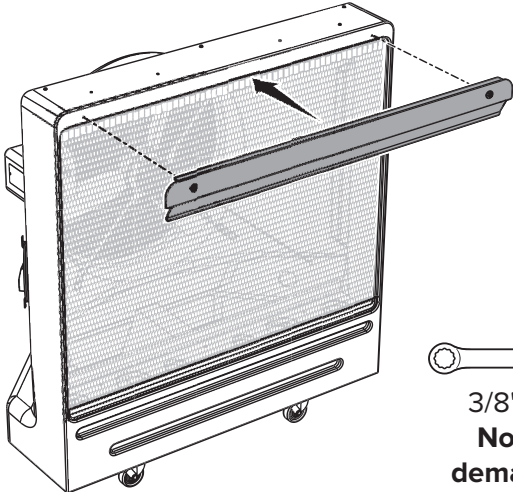
Oriéntelos de acuerdo con las marcas de flechas indicadas en el medio. El revestimiento negro debe quedar hacia afuera.



## 2. Instale las almohadillas de distribución de agua



## 3. Instale la barra de retención



3/8" (10 mm)  
**No apriete demasiado los pernos.**

# RESOLUCIÓN DE PROBLEMAS

- ⚠️ ADVERTENCIA: PELIGRO DE DESCARGA ELÉCTRICA.** Desconecte la fuente de alimentación antes de realizar el servicio o mantenimiento. De lo contrario, pueden producirse lesiones graves o la muerte.
- ⚠️ PRECAUCIÓN:** Tenga cuidado al solucionar problemas o reparar todos los componentes eléctricos. Asegúrese de que la energía esté desconectada del enfriador antes de quitar los medios de enfriamiento o la protección del ventilador para obtener acceso al ventilador.

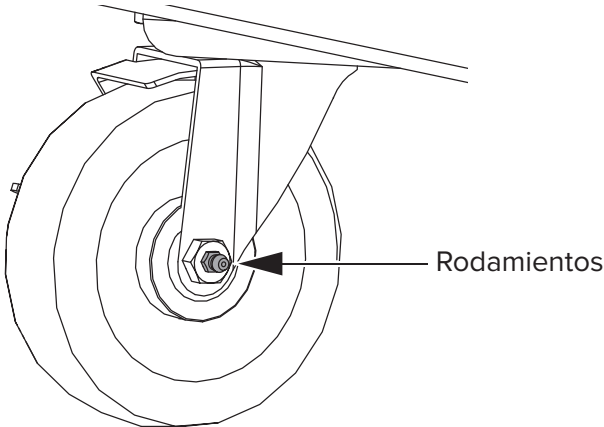
## Herramientas necesarias

- Destornilladores
- Alicates
- Llaves ajustables
- Medidor de voltios/ohmios (solución de problemas eléctricos)

*Se pueden requerir herramientas adicionales.*

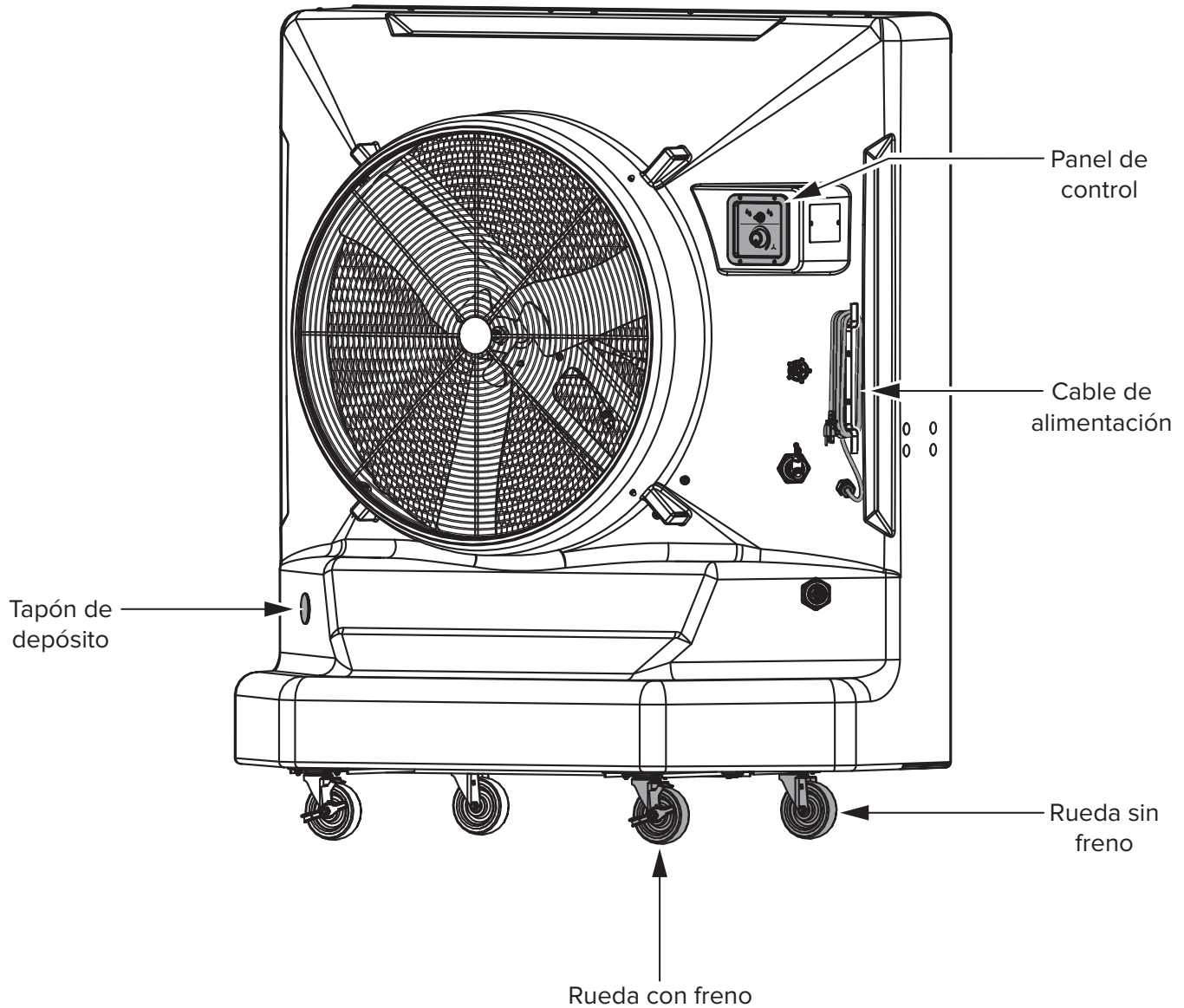
Problema	Solución(es)
La bomba o el ventilador no arrancan.	<ul style="list-style-type: none"><li>• Asegúrese de que el cable de alimentación esté enchufado.</li><li>• Asegúrese de que la bomba o el ventilador estén encendidos.</li><li>• Revise la funcionalidad del disyuntor o del panel de fusibles.</li><li>• Asegúrese de que la potencia del suministro sea adecuada y funcional. Consulte la página 1 para conocer los requisitos eléctricos.</li><li>• Compruebe el nivel de agua del enfriador. La bomba se apaga automáticamente si el nivel de agua es demasiado bajo. La bomba puede tardar hasta cinco minutos en reiniciarse después de rellenar el enfriador.</li><li>• Asegúrese de que no haya obstrucciones en el ensamblaje del ventilador ni en las aspas.</li><li>• Compruebe el calibre del cable de extensión. Consulte la página 1 para conocer los requisitos.</li><li>• Asegúrese de que la parte posterior (lado de entrada) del enfriador esté libre de obstrucciones/paredes. Proporcione un espacio libre de entrada mínimo de 3 ft (0.9 m).</li></ul>
El disyuntor se dispara o el fusible se quema cuando se enciende la bomba o el ventilador.	<ul style="list-style-type: none"><li>• Asegúrese de que la potencia del suministro sea adecuada y funcional. Consulte la página 1 para conocer los requisitos eléctricos.</li><li>• Compruebe el calibre del cable de extensión. Consulte la página 1 para conocer los requisitos.</li></ul>
La bomba funciona, pero no bombea agua.	<ul style="list-style-type: none"><li>• Asegúrese de que la válvula de control de flujo esté abierta (en sentido contrario a las agujas del reloj).</li><li>• Compruebe el nivel de agua del enfriador.</li></ul>
El piso alrededor del enfriador está húmedo.	<ul style="list-style-type: none"><li>• Asegúrese de que la manguera del suministro de agua esté bien conectada con el enfriador. Apriete las conexiones si fuera necesario.</li><li>• Asegúrese de que el tapón de drenaje en la parte inferior del enfriador esté asegurado.</li></ul>

## RESOLUCIÓN DE PROBLEMAS

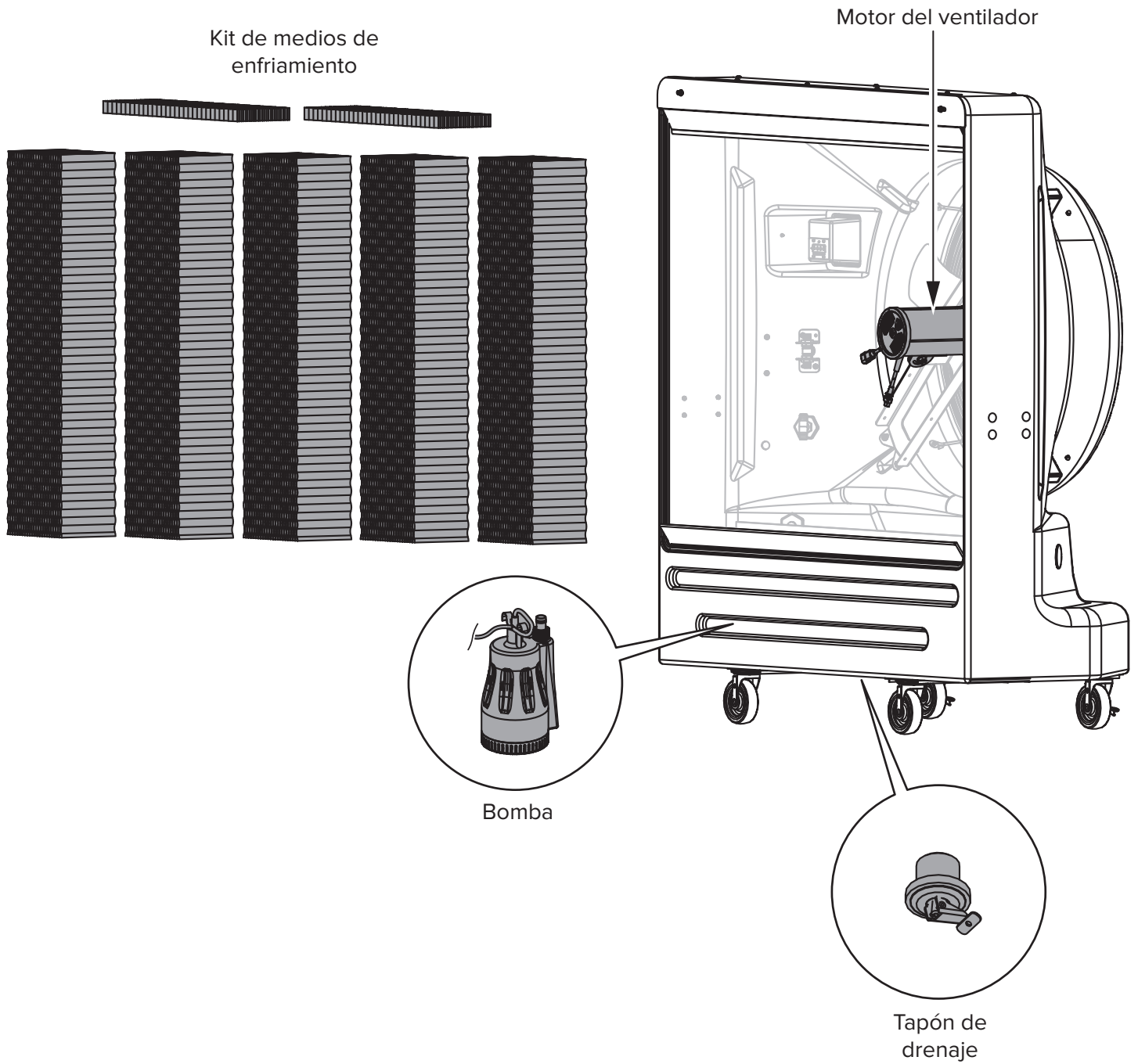
Problema	Solución(es)
El agua se escapa de la válvula de drenaje.	<ul style="list-style-type: none"> <li>• Asegúrese de que la válvula de drenaje esté completamente cerrada.</li> </ul>
Hay áreas secas en los medios de enfriamiento.	<ul style="list-style-type: none"> <li>• Utilice la válvula de control de flujo para aumentar el flujo de agua.</li> <li>• Retire los medios de enfriamiento y revise la barra de rociado para ver si hay orificios de distribución de agua obstruidos. Limpie si es necesario.</li> </ul>
El agua se desborda del depósito o brota desde el enfriador.	<ul style="list-style-type: none"> <li>• Revise las mangueras y las conexiones para detectar fugas. Apriete las conexiones si fuera necesario.</li> <li>• Utilice la válvula de control de flujo para reducir el flujo de agua.</li> <li>• Asegúrese de que los medios de enfriamiento estén instalados correctamente y no estén sucios ni dañados.</li> <li>• Retire los medios de enfriamiento y revise la barra de rociado. Asegúrese de que los orificios de distribución de agua estén orientados hacia arriba.</li> <li>• Revise las conexiones de la manguera de la válvula flotante. Apriete las conexiones si fuera necesario.</li> <li>• Asegúrese de que la presión del suministro de agua sea inferior a 60 PSI (4 bar/414 kPa) para permitir que la válvula flotante del enfriador cierre el flujo de agua.</li> </ul>
Los medios de enfriamiento tienen acumulación de incrustaciones y minerales.	<ul style="list-style-type: none"> <li>• Drene y limpie el enfriador y los medios de enfriamiento, y luego agregue dos tabletas de tratamiento de agua al depósito. Las tabletas se pueden adquirir en <a href="http://bigassfans.com">bigassfans.com</a>.</li> <li>• Si la acumulación de minerales es pesada, reemplace los medios de enfriamiento. Los medios de enfriamiento de repuesto se pueden adquirir en <a href="http://bigassfans.com">bigassfans.com</a>.</li> </ul>
Las ruedas hacen ruido.	<ul style="list-style-type: none"> <li>• Lubrique los rodamientos de las ruedas con una engrasadora.</li> </ul> 

# ÍNDICE DE PIEZAS DE REPUESTO

Visite [bigassfans.com](http://bigassfans.com) o póngase en contacto con Atención al Cliente para comprar piezas de repuesto.







# CONTÁCTENOS

---

**Atención al Cliente**  
2348 Innovation Drive  
Lexington, KY 40511  
Estados Unidos  
877-244-3267  
bigassfans.com

**Accesorios y piezas de repuesto**  
[www.bigassfans.com](http://www.bigassfans.com)



[www.bigassfans.com/support](http://www.bigassfans.com/support)





**BIG ASS FANS®**

[bigassfans.com](http://bigassfans.com)

