



ISIS



# COMMERCIAL FANS

Improve comfort and visual appeal in public and corporate spaces with the impressive airflow and elegant design of Big Ass Fans' commercial products.



## ENHANCE YOUR PUBLIC PROFILE

Engineered with the same uncompromising standards for performance and durability as our industrial fans, Big Ass Fans' commercial lineup showcases award-winning design and functionality. Our Essence®, Isis®, Haiku®, and i6 fans each sport premium-quality airfoils, virtually silent direct-drive motors, and a range of sizes and finishes to provide airflow that delivers proven comfort and savings for spaces that look great and feel even better.

## BOOST YOUR AIRFLOW AND DESIGN APPEAL HERE:

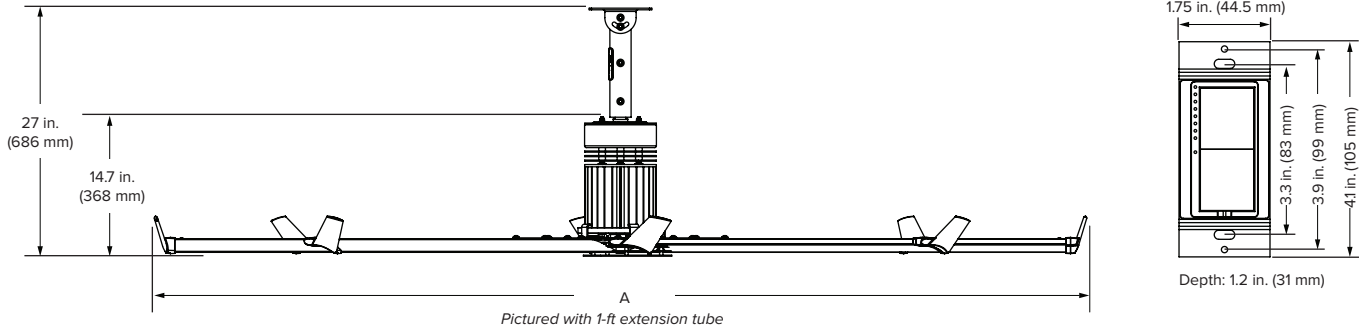
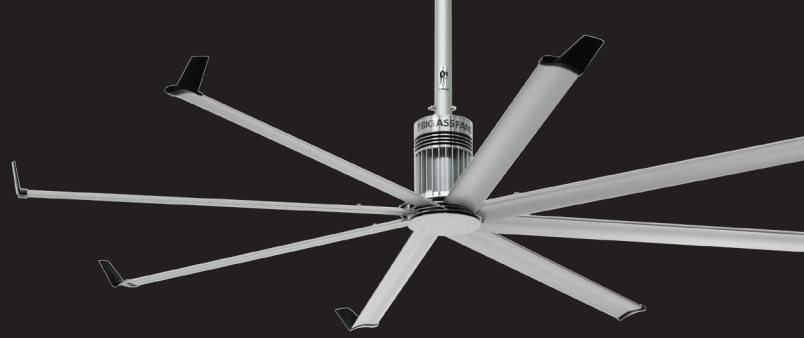
- ✓ Lobbies and conference rooms
- ✓ Retail spaces
- ✓ Restaurants and patios
- ✓ Offices and break rooms
- ✓ Recreational spaces
- ✓ Arenas and large open areas

## Key Features

- ✓ Fit any space with diameters ranging from 52 inches to 14 feet (1.3 to 4.3 m)
- ✓ Improve your aesthetic with custom finishes and mounts
- ✓ Brighten entryways and meeting rooms with available LED light kits
- ✓ Range of slim remote and wall control options
- ✓ Available certified install works with your schedule
- ✓ Enjoy unrivaled warranties and customer service

# ISIS

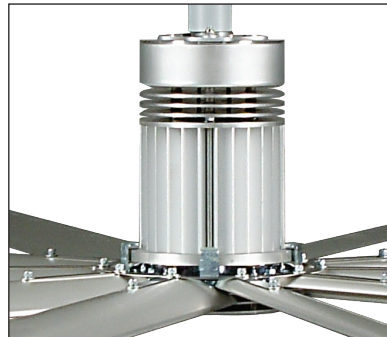
HIGH PERFORMANCE MEETS HIGH STYLE



Technical Specifications						
Environment <sup>1</sup>	Diameter (A)	Weight <sup>2</sup>	Max speed	Airfoil clearances <sup>3</sup>	Input power	Sound at max speed <sup>4</sup>
Indoor	8 ft (2.4 m)	81 lb (37 kg)	120 RPM	2 ft (0.6 m) on sides 2 ft (0.6 m) below ceiling deck	110–125 VAC, 1 Φ, 60 Hz, 10 A	< 35 dBA
	10 ft (3 m)	88 lb (40 kg)	80 RPM			
Outdoor	8 ft (2.4 m)	84 lb (38 kg)	80 RPM			

Construction Features					
Airfoils and Winglets	Motor and Components	Certifications <sup>5</sup>	Mounting	Controller	Colors
Eight anodized aluminum Mini-Ellipto airfoils with standard black winglets	Gearless direct-drive motor Industrial-grade hardware Standard 1 ft (0.3 m) extension tube; optional 2 to 15 ft (0.6 to 4.6 m)	UL Standard 507 and CSA Standard 22.2 No. 113	Standard upper mount installs to bar joists Optional kits allow for mounting to l-beams, solid beams, and purlins	Slim-line wall control that easily integrates into building automation systems Fits standard junction box	Standard colors are silver and black. Individualize your fan with one of our classic color upgrades, or work with our design consultants to create a shade that's all your own.

## Standard Color Options



## ISIS Controller



<sup>1</sup> Not suitable for salt air environments.

<sup>2</sup> Weight does not include mount or extension tube.

<sup>3</sup> Suitable for ceilings as low as 12 ft (3.7 meters). Measure the distance from the tip of the winglet to the ceiling or major obstruction.

<sup>4</sup> Fans are sound tested at a maximum speed in a laboratory environment. Actual results in field conditions may vary due to sound reflecting surfaces and environmental conditions.

<sup>5</sup> Isis Outdoor is not ETL-certified.

Lead times may vary.  
See full warranty for coverage information.



USA  
BIGASSFANS.COM  
877-244-3267

CANADA  
BIGASSFANS.COM  
844-924-4277

AUSTRALIA  
BIGASSFANS.COM/AU  
1300 244 277

SINGAPORE  
BIGASSFANS.COM/SG  
65 6709 8500

MALAYSIA  
BIGASSFANS.COM/SG  
603 5565 0888