

# YELLOW JACKET<sup>®</sup>

Finally, a directional fan engineered to stand up to industrial use and abuse. Yellow Jacket features a highly efficient, IPX5-rated motor with variable-speed control and an indestructible frame. Mount or wheel it into your grittiest spaces to deliver airflow that cools and refreshes your people, then hose it off and put it right back to work.



## KEY FEATURES

- ▶ **Heavy-gauge steel frame** for durability in industrial applications
- ▶ **Vibration dampening** with high-density polyethylene housing
- ▶ **Three durable fan blades** with progressive-pitch geometry
- ▶ **10 speed settings** with powerful and efficient 1/2 HP motor
- ▶ **BMS integration and fan grouping** with optional BAFCon controller
- ▶ **360° rotation** with lockable positioning and available oscillator

### DIAMETER

**30 INCHES**  
(76 CM)

### MOUNTING

**PORTABLE PEDESTAL,  
WALL/COLUMN, SWIVEL ARM,  
OVERHEAD BEAMS, AND BAR JOISTS**

### VOLTAGE

**110-125 OR 200-240  
SINGLE PHASE VAC**

### WARRANTY

**UP TO  
5 YEARS**

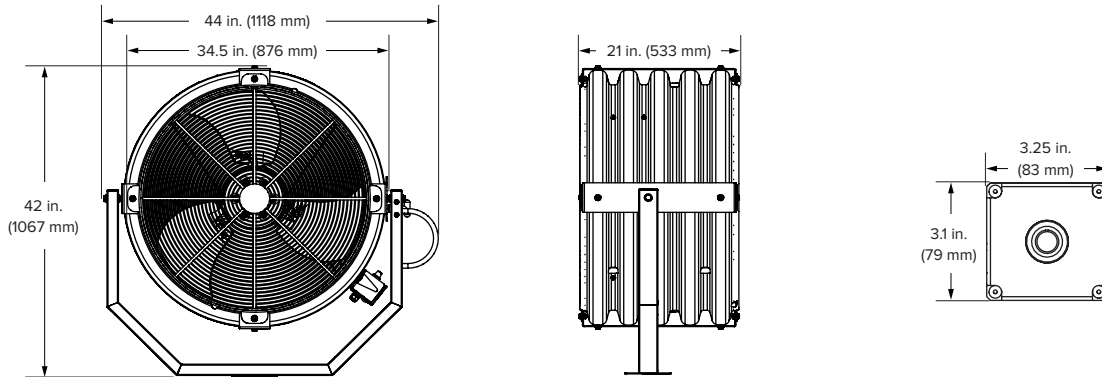


## DISCOVER MORE ABOUT YELLOW JACKET

Learn more at [bigassfans.com/yellow-jacket](https://bigassfans.com/yellow-jacket)  
or call **877.BIG.FANS** for a free custom quote.

# YELLOW JACKET

SMASHINGLY DURABLE®



## Technical Specifications

| Input power and required breaker | Current   | Max speed | Power    | Temperature range                     | Sound level at max speed <sup>1</sup> | Weight <sup>2</sup> | Motor               | IP Rating |
|----------------------------------|-----------|-----------|----------|---------------------------------------|---------------------------------------|---------------------|---------------------|-----------|
| 100–125 VAC, 50/60 Hz, 1 Φ, 20 A | 7.6–9.8 A | 1,317 RPM | 20/600 W | -40° F to 122° F<br>(-40° C to 50° C) | 80.2 dBA                              | 105 lb<br>(47.6 kg) | 0.5 hp<br>(0.37 kW) | IPX5      |
| 200–240 VAC, 50/60 Hz, 1 Φ, 15 A | 5.0–5.6 A | 1,308 RPM |          |                                       |                                       |                     |                     |           |

## Construction Features

| Cage and Frame   | Blades   | Power Supply                                    | Controller  | Certifications                | Colors                                     |
|--|--|---|---|-------------------------------|--|
| Heavy-gauge steel frame with position locking mechanism provides 360 degrees of rotation<br>OSHA-compliant 1/8 inch (3 mm) steel spiral guards<br>High density polyethylene housing with vibration dampening | Three-dimensional progressive pitch blades<br>Made from high-performance polyamide nylon | 10 ft (3 m) cord<br>Fits standard power outlets | Remotely mounted or onboard<br>On/Off<br>Variable speed | CSA Standard 22.2 No. 113<br> | Standard Yellow<br>Custom colors available |

## Mounting and Accessories

| Portable Base   | Wall/Column                       | Overhead   | Accessories                  |
|---|-----------------------------------|--|------------------------------|
| Steel frame and portable base<br>18 or 36 inch (457 or 914 mm) pedestal | Steel bracket<br>Grade 8 hardware | Optional mounting kits allow fan to be mounted to a beam, bar joists, or ceiling | Swivel Kit<br>Oscillator Kit |

### Overhead Mount



### Portable Base



### Wall/Column Mount



<sup>1</sup> Fans are sound tested at maximum speed in a laboratory environment. Actual results in field conditions may vary due to sound reflecting surfaces and environmental conditions.

<sup>2</sup> Weight only includes fan and yoke.

Lead times may vary. Warranties may vary by country. See full warranty for coverage information.



USA  
BIGASSFANS.COM  
877-244-3267

CANADA  
BIGASSFANS.COM  
844-924-4277

AUSTRALIA  
BIGASSFANS.COM/AU  
1300 244 277

SINGAPORE  
BIGASSFANS.COM/SG  
65 6709 8500

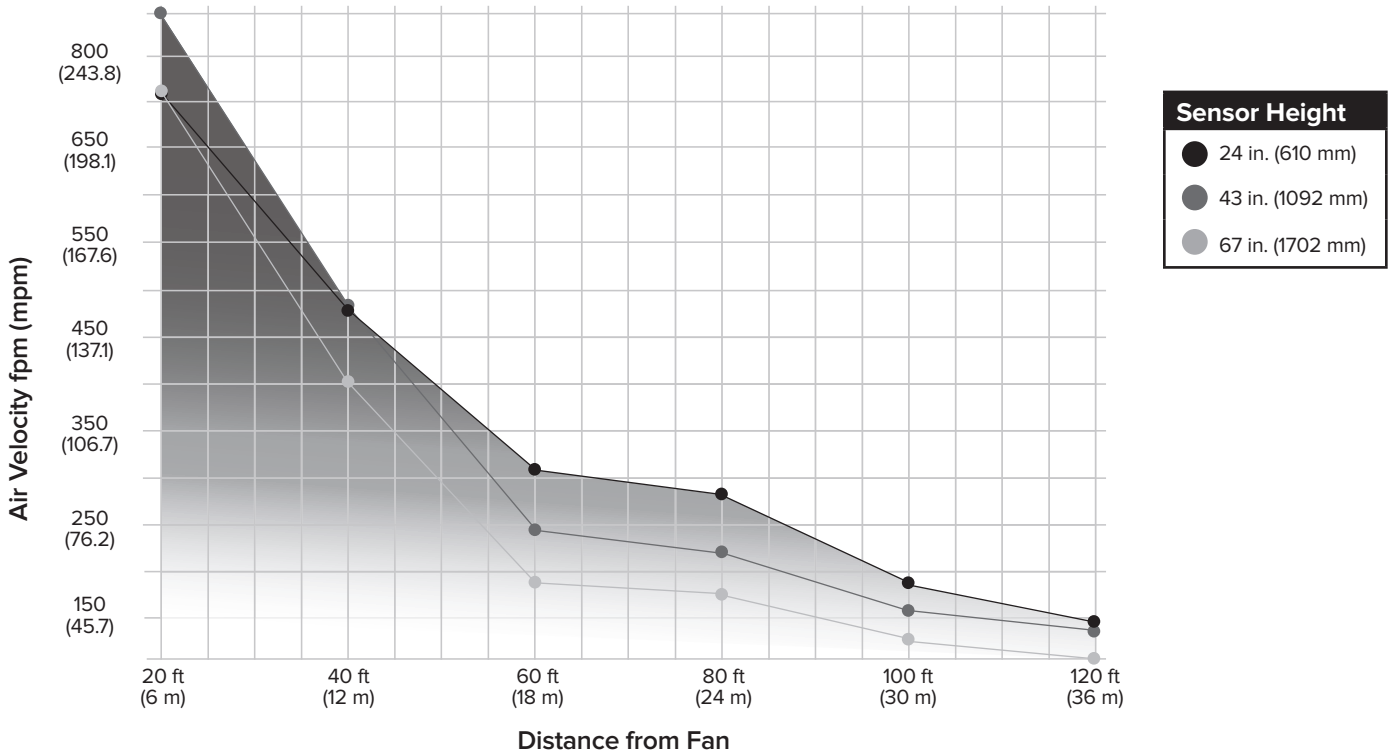
# YELLOW JACKET

## AIRFLOW



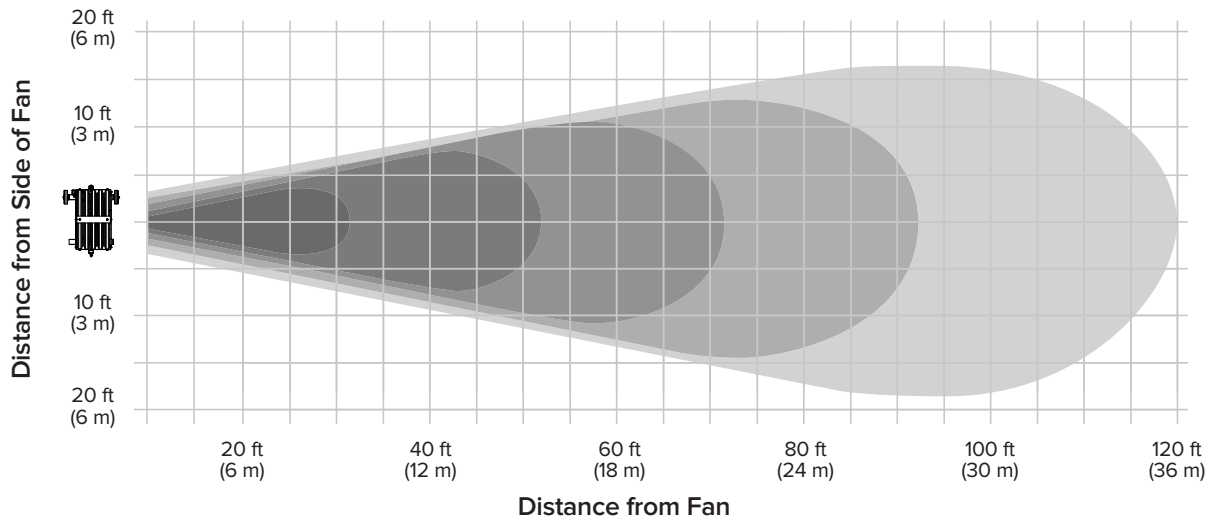
### AIRFLOW VELOCITY

The three lines show air velocity from the center of the fan at three sensors of varying height.



### AIRFLOW DISTANCE

Shaded areas represent cooling up to 120 feet (36.6 meters). That's one-third the length of a football field! Darker shading indicates faster air velocity.



USA  
BIGASSFANS.COM  
877-244-3267

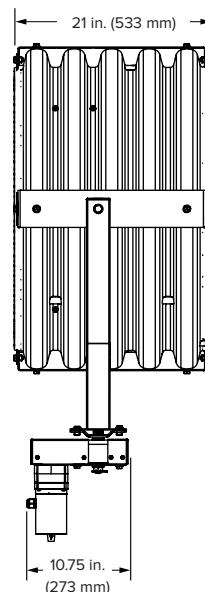
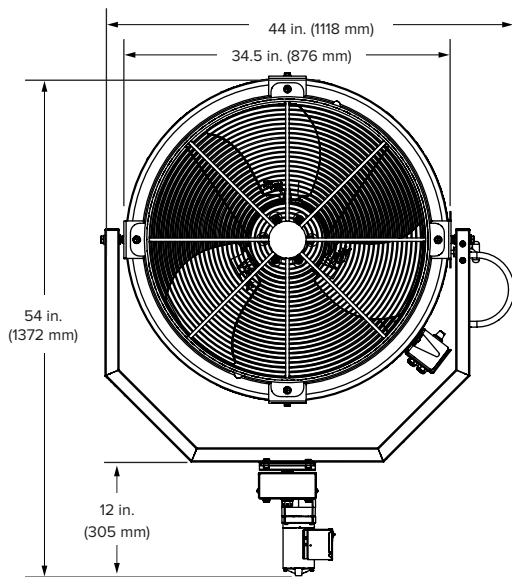
CANADA  
BIGASSFANS.COM  
844-924-4277

AUSTRALIA  
BIGASSFANS.COM/AU  
1300 244 277

SINGAPORE  
BIGASSFANS.COM/SG  
65 6709 8500

# YELLOW JACKET

## OSCILLATOR

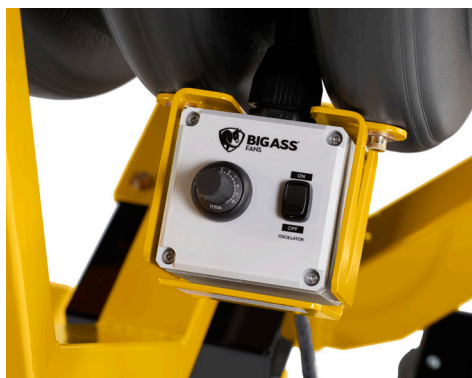


### Fan Technical Specifications

| Input power and breaker       | Current   | Max speed <sup>1</sup> | Sound level at max speed <sup>2</sup> | Weight              | Motor               |
|-------------------------------|-----------|------------------------|---------------------------------------|---------------------|---------------------|
| 100–125 VAC, 1 Φ, 60 Hz, 20 A | 7.6–9.8 A | 1317 RPM               | 80.2 dBA                              | 105 lb<br>(47.6 kg) | 0.5 hp<br>(0.37 kW) |

### Oscillator Technical Specifications<sup>1</sup>

| Input Power      | Current | Motor                 | Oscillations per minute | Angle Adjustment      |
|------------------|---------|-----------------------|-------------------------|-----------------------|
| 100–125 VAC, 1 Φ | 0.33 A  | 0.05 hp<br>(0.037 kW) | Up to 2.3 OPM           | 45, 60, or 90 degrees |



<sup>1</sup> Speed shown is nominal. Performance is based on actual speed of test.

<sup>2</sup> Measured 5 ft (1.5 m) from fan. Fans are sound tested at maximum speed in a laboratory environment. Actual results in field conditions may vary due to sound reflecting surfaces and environmental conditions.

Lead times may vary. See full warranty for coverage information.



USA  
BIGASSFANS.COM  
877-244-3267

CANADA  
BIGASSFANS.COM  
844-924-4277

AUSTRALIA  
BIGASSFANS.COM/AU  
1300 244 277

SINGAPORE  
BIGASSFANS.COM/SG  
65 6709 8500