

# READ AND SAVE THESE INSTRUCTIONS

## Technical Specifications

Operating voltage	Diameter	Weight	Operating frequency
120 VAC, 1 $\Phi$	52 in. (132 cm)	11 lb (5 kg)	60 Hz

## Tools Needed

- Ladder
- Wire Strippers
- Phillips Screwdriver
- Hex Key
- Wrenches



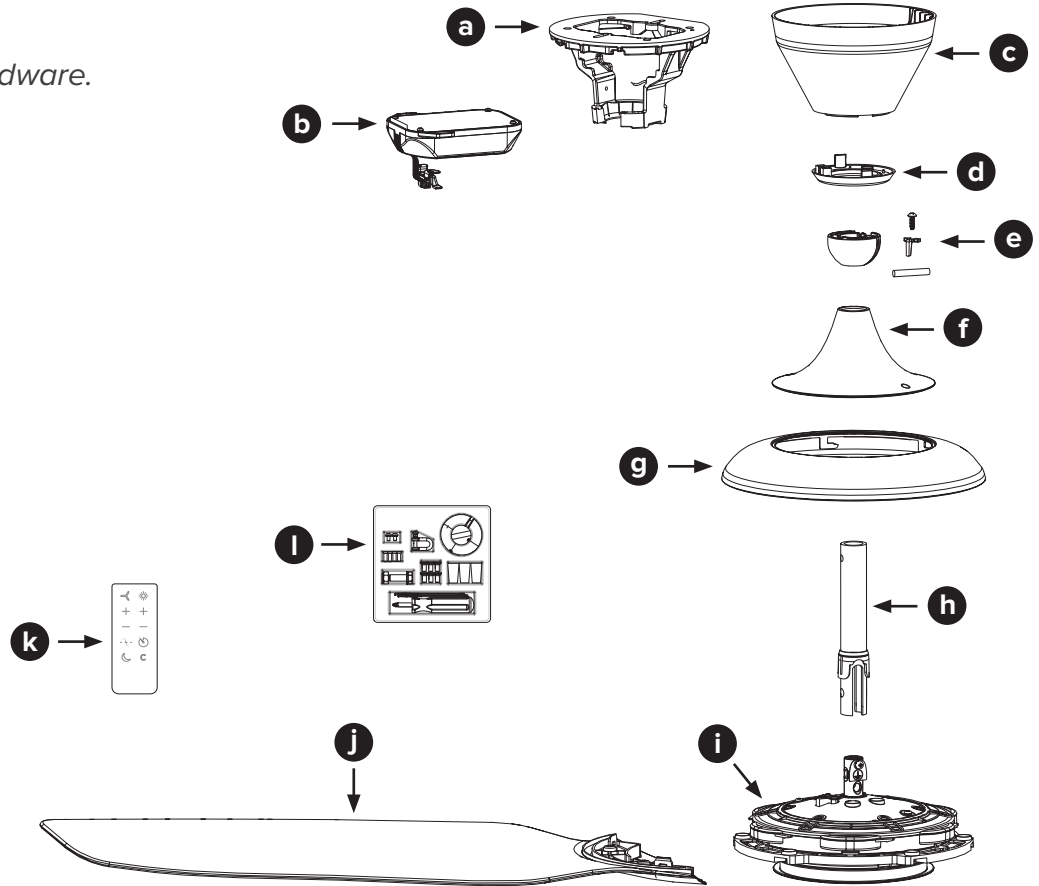
Scan or visit [bigassfans.com/support](https://bigassfans.com/support) for help setting up the Big Ass Fans mobile app

Model: L3127-X5

# PARTS

See the following page for hardware.

- a** Mounting Bracket
- b** Control Box
- c** Wiring Cover
- d** LED Diffuser Ring
- e** Mounting Ball & Hardware
- f** Lower Cover Trim
- g** Lower Cover Ring
- h** Extension Tube
- i** Motor Unit
- j** (3) Airfoils
- k** Remote Control
- l** Hardware Pack



# HARDWARE

Hardware and tools needed for installation are packaged in the hardware pack. *Hardware below shown at actual size.*

## Airfoil Hardware



(6) M5 Screws with Tooth Washer

## Lower Cover Hardware



White

or



Black

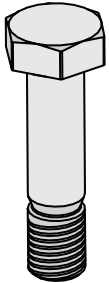
(2) Painted M3.5 Screws

## Wiring Cover Hardware

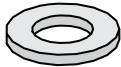


(4) M4 Socket Head Cap Screws

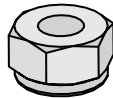
## Mounting Hardware



M8 Bolt

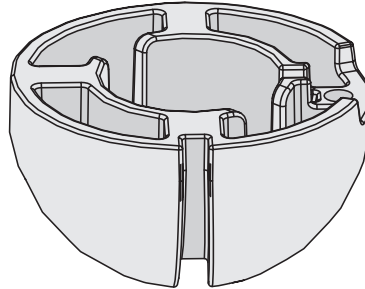


M8 Washer

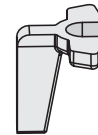


M8 Nylock Nut

## Mounting Ball & Hardware



Mounting Ball



Wedge



4 mm Self-Tapping  
Screw






Steel Pin

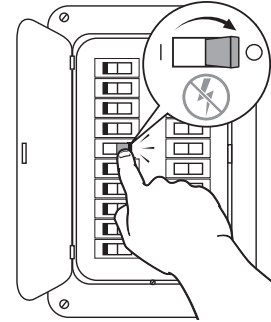
# 1 PREPARE THE FAN SITE



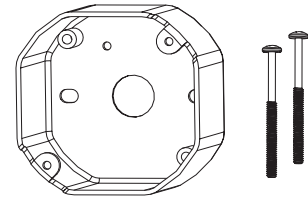
Installation requires basic electrical knowledge. Contact a licensed electrician if you are uncomfortable performing electrical work!

## 1 Disconnect Power!

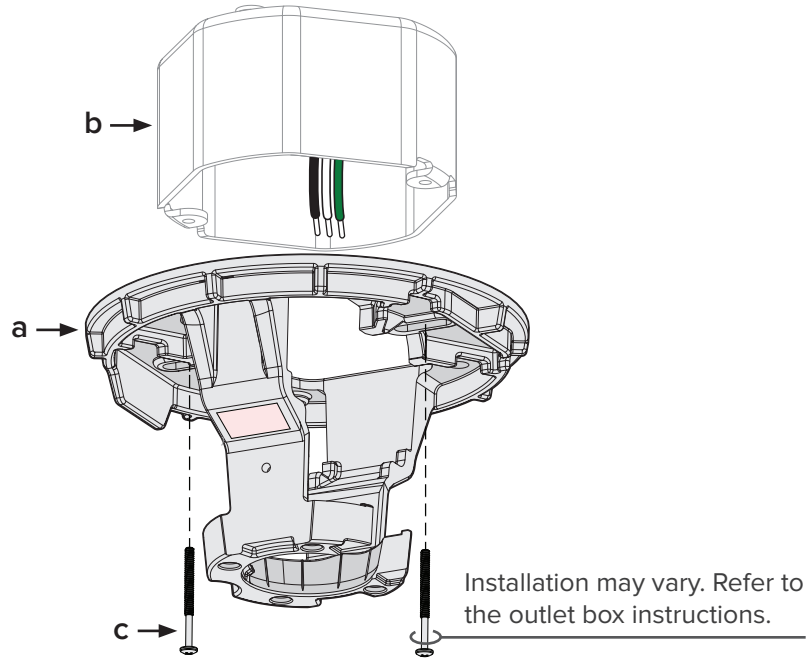
-  **Disconnect power to the fan location before wiring fan!**
-  **If required by your local electrical code, a licensed electrician must install the fan.**
-  **A means for disconnection must be incorporated in the fixed wiring in accordance with the wiring rules.**



- 2** If you are installing your fan to an outlet box, it must be *suitable for fan support*. If there is not an outlet box at the fan location, install one on a ceiling joist or beam.



## 2 INSTALL THE MOUNTING BRACKET



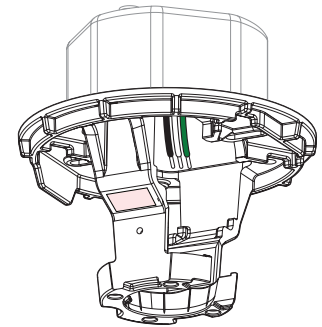
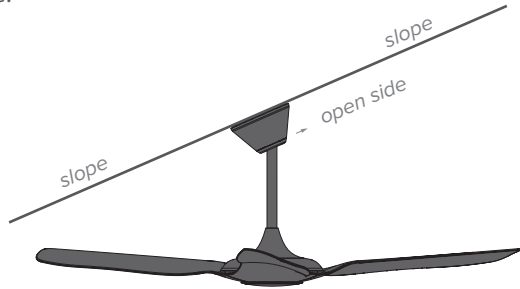
Secure the mounting bracket (a) to the outlet box (b) with the screws supplied with the outlet box (c).

*Outlet Box Hardware:*

c. Screw (supplied with outlet box)

### Sloped Ceilings

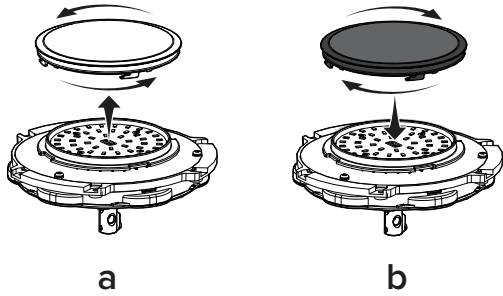
*If mounting to a sloped ceiling, install the mounting bracket so that the open side faces upward with the slope.*



**STEP COMPLETED**

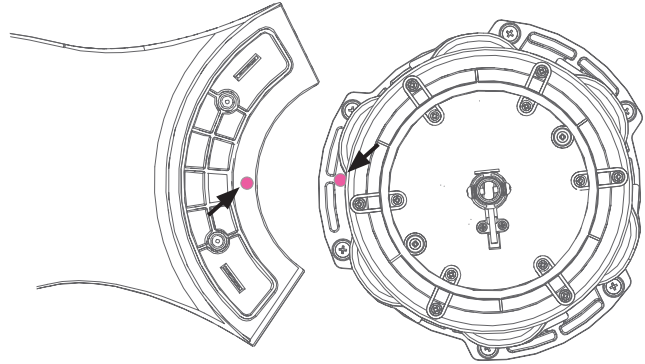
# 3 PREPARE THE AIRFOILS

SELECT LENS (BLACK FANS)



1

MATCH AIRFOIL STICKERS

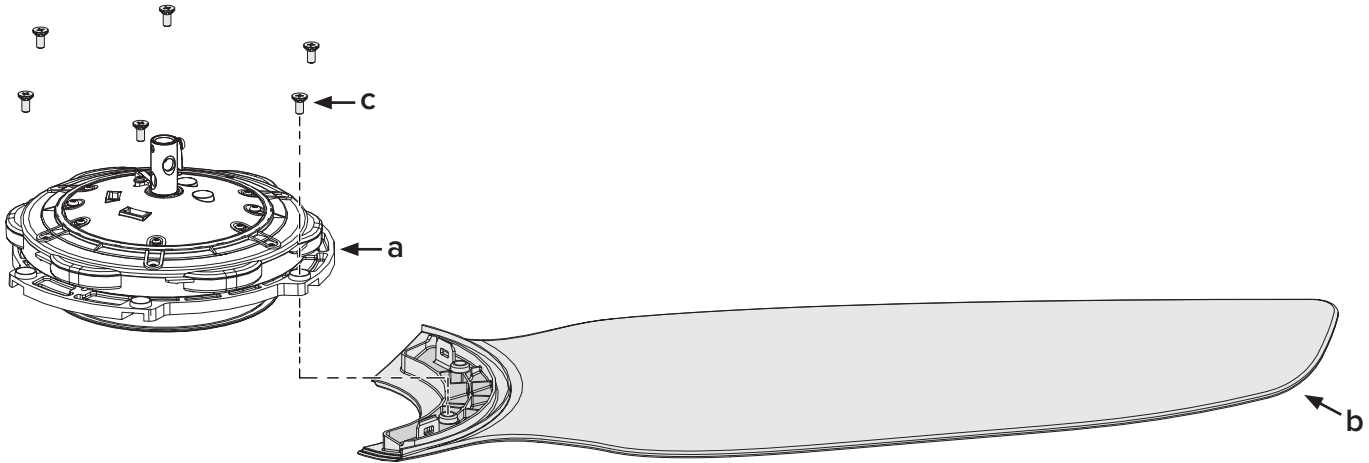


2



- 1 Black fans:** For softer lighting, remove the white lens and install the smoky lens before attaching the airfoils.
  - a. Twist to uninstall white lens.
  - b. Twist smoky lens to lock in place.
  
- 2** Make sure the stickers on the airfoils match the stickers on the fan hub.

# 4 INSTALL THE AIRFOILS



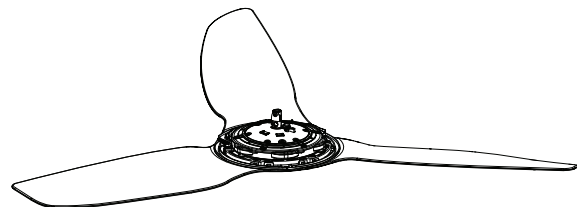
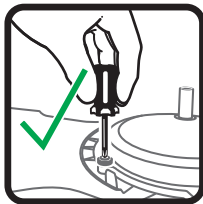
Rest the motor assembly (a) on your lap. Moving clockwise, install each airfoil (b) with the provided hardware. Tighten the screws to 2.5 N·m (22.1 in·lb). **Do not use power tools to install the airfoils, and do not over-tighten the screws! Over-tightening the screws may cause the airfoils to warp and void your warranty.**

Airfoil Hardware:

c. (6) M5 screws with tooth washer



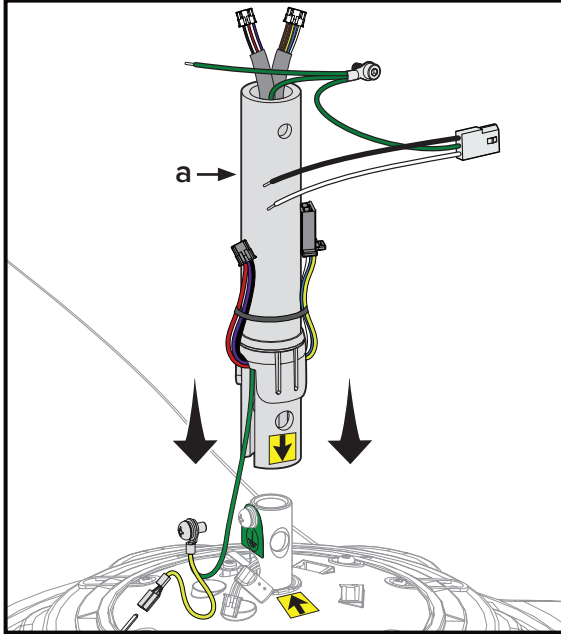
**DO NOT USE POWER TOOLS!**



**STEP COMPLETED**

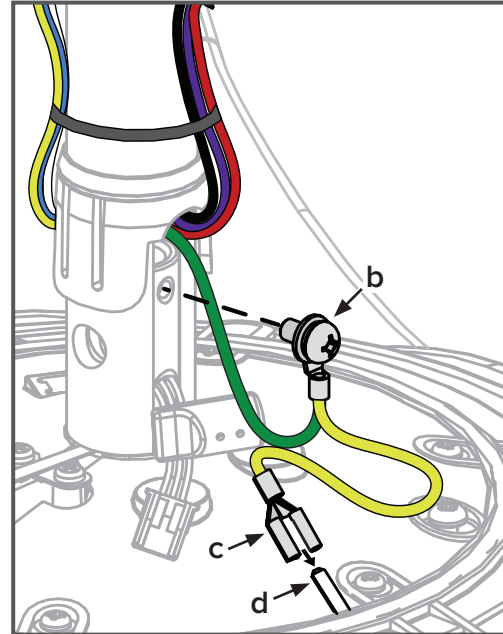
# 5 INSTALL THE LOWER EARTH/GROUND WIRE

POSITION EXTENSION TUBE



1

SECURE EARTH/GROUND WIRE



2

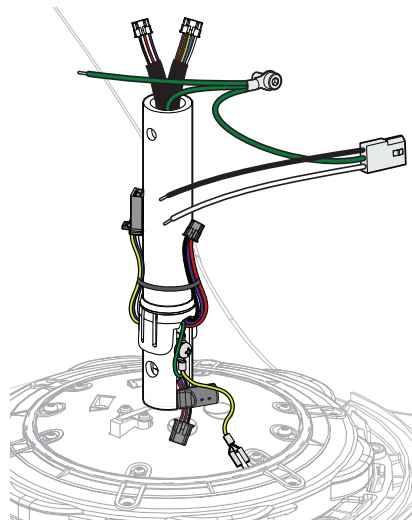
- 1 Lower the extension tube (a) onto the motor shaft. Ensure the yellow arrow sticker on the extension tube is aligned with the sticker on the motor.
- 2 Remove the screw and ground tag from the motor shaft. Secure the Earth/Ground wire to the motor shaft with the captive screw (b). Connect the yellow Earth/Ground female spade connector (c) to the male connector (d) on the motor.



## Safety Cable Installation

You may be required to secure the fan directly to the building structure if your local safety code requires it. Check your local code! Refer to the Safety Cable instructional sheet included with this guide for more information.

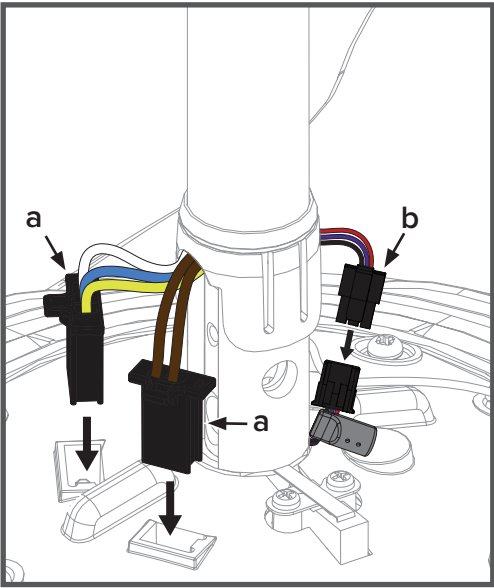
*Acceptable building structures include a wooden beam or a metal mounting brace secured between two beams. In some cases it may be necessary to install additional structural material to provide attachment points.*



**STEP COMPLETED**

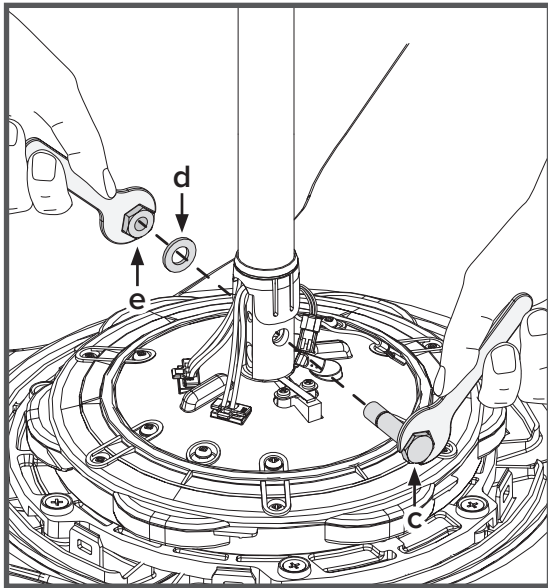
# 6 CONNECT MOTOR WIRING AND SECURE EXTENSION TUBE

INSTALL WIRING HARNESSSES



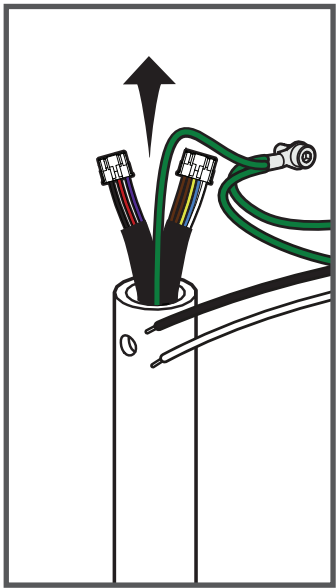
1

SECURE HARDWARE



2

REMOVE SLACK



3

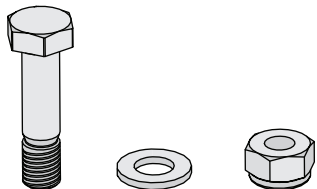
- 1 Remove the tie holding the wiring harnesses to the extension tube. Plug the two large wiring harnesses (a) into the receptacles on the motor. Plug the small, male wiring harness (b) into the female wiring harness from the motor shaft.
- 2 Align the bolt holes on the extension tube with the holes on the motor shaft, and then secure the tube with the provided hardware and wrenches.

*Mounting Hardware:*

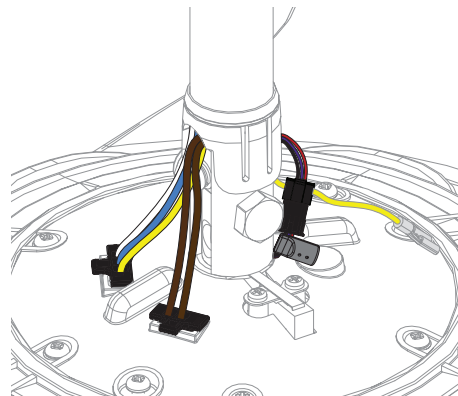
c. M8 bolt

d. M8 washer

e. M8 nylock nut

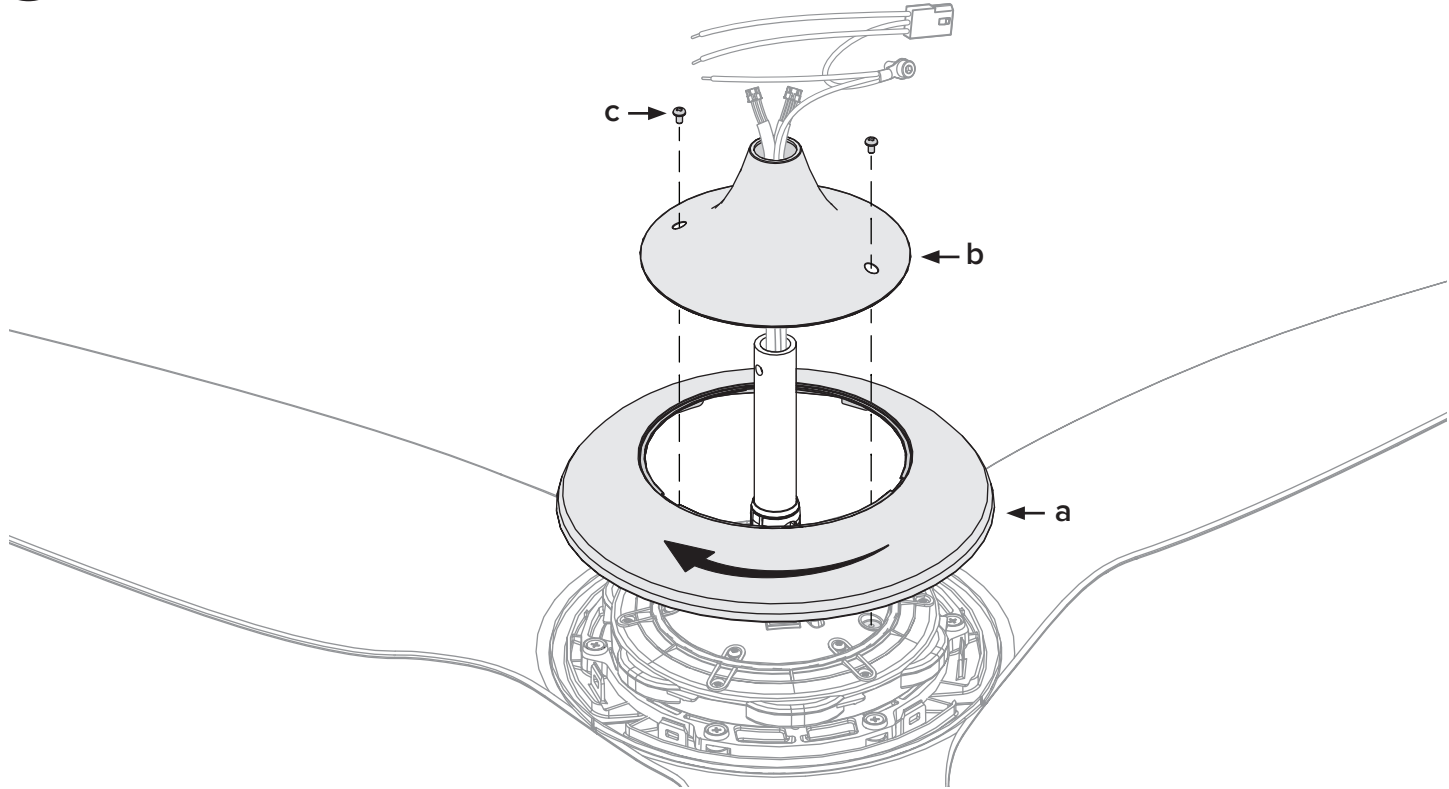


- 3 To remove slack, gently tug on the cables at the top of the extension tube.



**STEP COMPLETED**

# 7 SECURE THE LOWER COVER

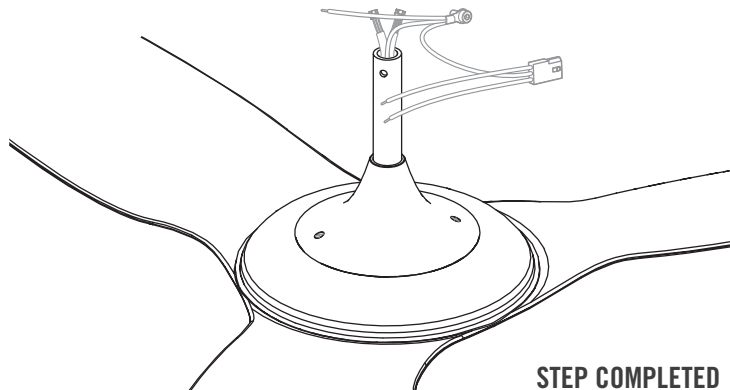
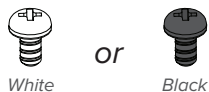




- 1** Place the lower cover ring (*a*) around the extension tube, resting it evenly on the motor. There should be a very small gap between the cover and the airfoils. Rotate the cover ring clockwise until it stops.
- 2** Thread the wires through the opening in the lower cover trim (*b*), and then slide the trim down the extension tube, resting it evenly on the cover ring.
- 3** Align the screw holes on the trim with the motor screw holes, and then secure the trim in place with the provided screws (*c*).

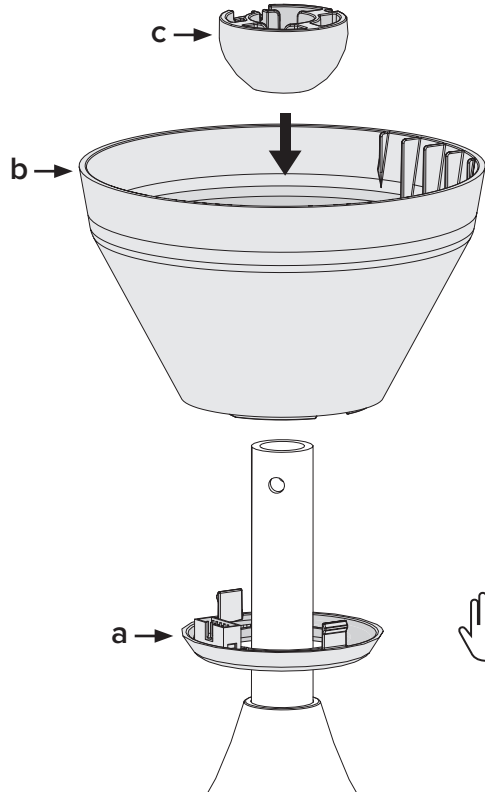
*Lower Cover Hardware:*

*c. (2) Painted M3.5 screws*



8

# ARRANGE LED DIFFUSER RING, WIRING COVER, AND MOUNTING BALL

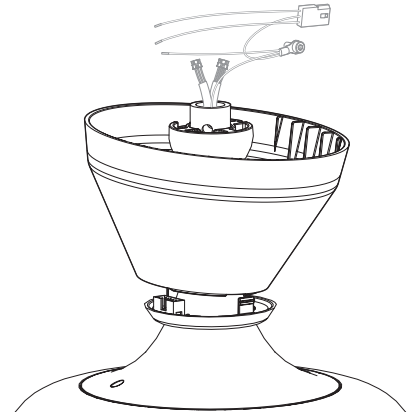


**Do not seat the LED diffuser ring in the wiring cover at this step!**



**Do not seat the LED diffuser ring in the wiring cover at this step!**

Slide the LED diffuser ring (*a*), wiring cover (*b*), and mounting ball (*c*) down the extension tube (in that order), resting them on the fan hub.

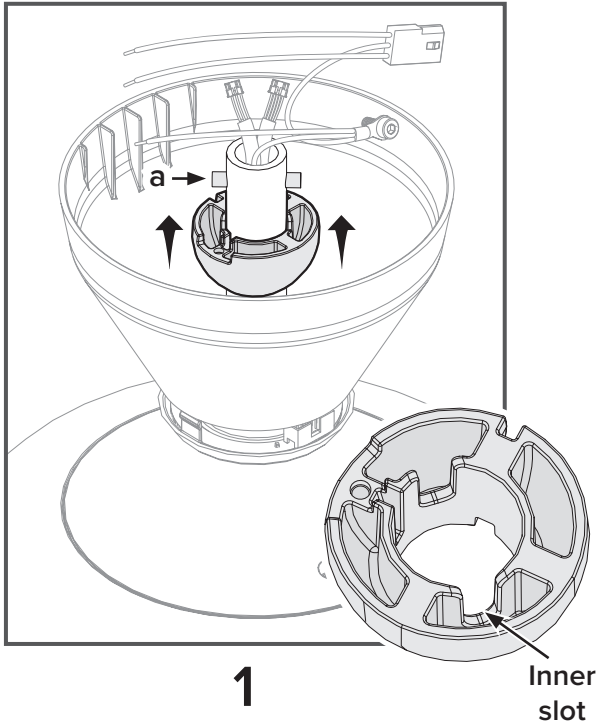


**STEP COMPLETED**

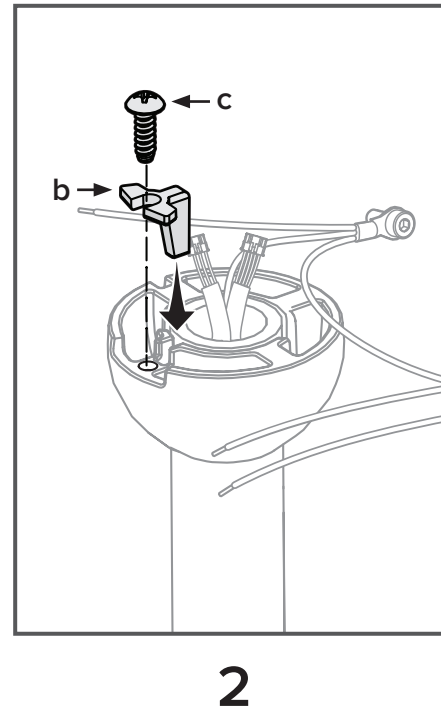
9

# ATTACH THE MOUNTING BALL

SEAT MOUNTING BALL



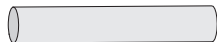
INSTALL WEDGE



- 1 Insert the steel pin (a) into the hole at the top of the extension tube, and then slide the mounting ball upward, seating the steel pin in the inner slots of the ball.

*Mounting Ball Hardware:*

*a. Steel pin*

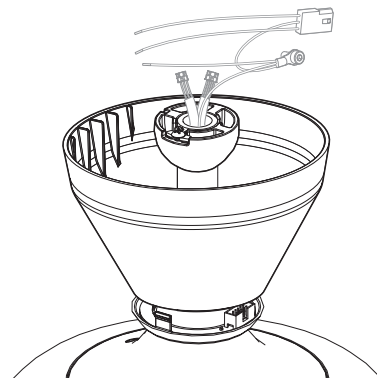
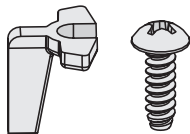


- 2 Insert the wedge (b) into the mounting ball as shown, and then secure the wedge with the screw (c). Tighten the screw enough to prevent movement between the mounting ball and extension tube. *Do not over-tighten the screw.*

*Mounting Ball Hardware:*

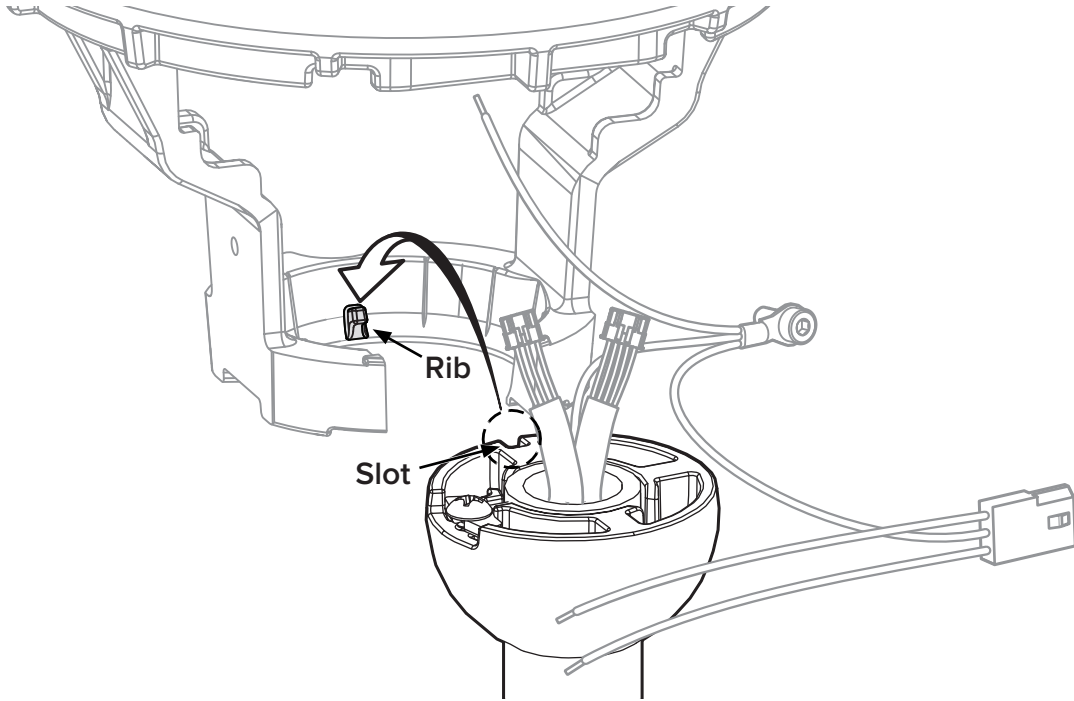
*b. Wedge*

*c. 4 mm self-tapping screw*

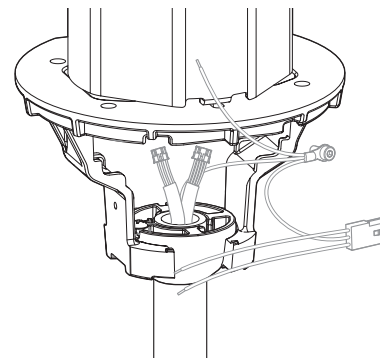


**STEP COMPLETED**

# 10 HANG THE FAN

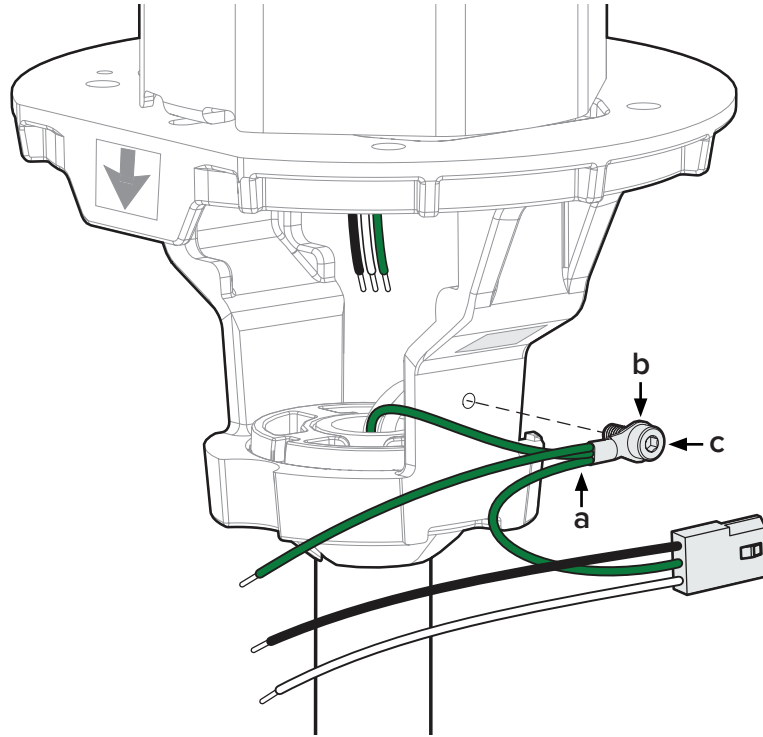


- 1** Raise the fan to the mounting bracket. Align the slot in the mounting ball with the rib in the mounting bracket, insert the mounting ball, and let the fan hang freely.
- 2** Gently twist the extension tube to ensure the mounting ball is properly seated and will not move during fan operation.



**STEP COMPLETED**

# 11 INSTALL THE UPPER EARTH/GROUND WIRE





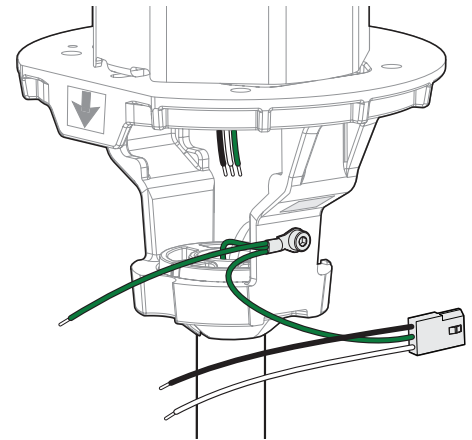
Route the ground wire from the extension tube (a) to the outside of the mounting bracket. Secure the ground wire terminal (b) to the mounting bracket with the screw (c).



## Safety Cable Installation

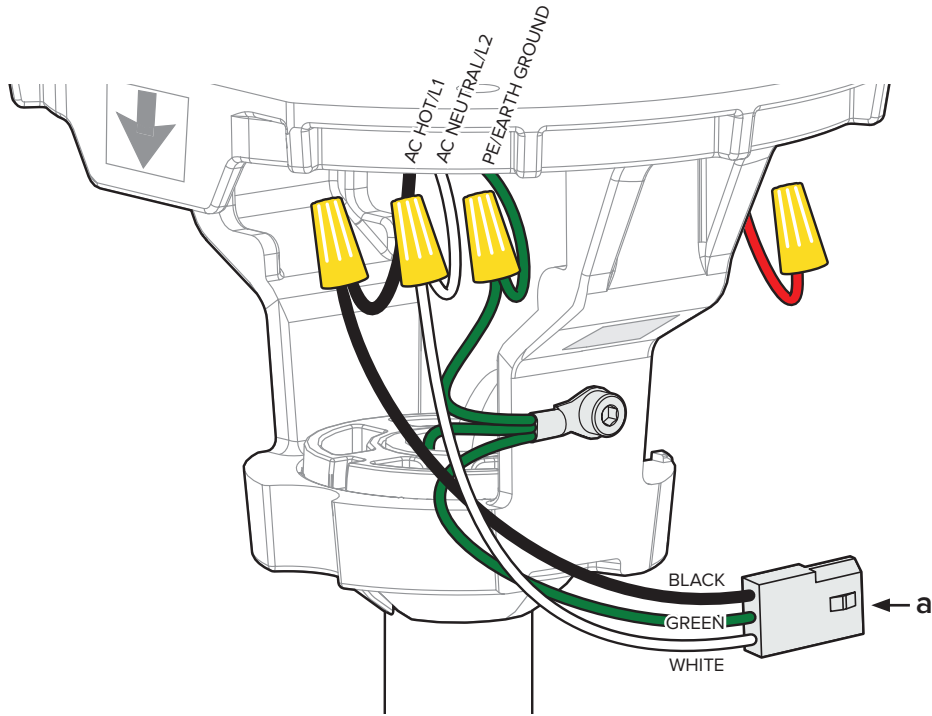
You may be required to secure the fan directly to the building structure if your local safety code requires it. Check your local code! Refer to the Safety Cable instructional sheet included with this guide for more information.

*Acceptable building structures include a wooden beam or a metal mounting brace secured between two beams. In some cases it may be necessary to install additional structural material to provide attachment points.*



**STEP COMPLETED**

# 12 WIRE THE FAN



**⚠ Make sure power is disconnected before wiring the fan!**

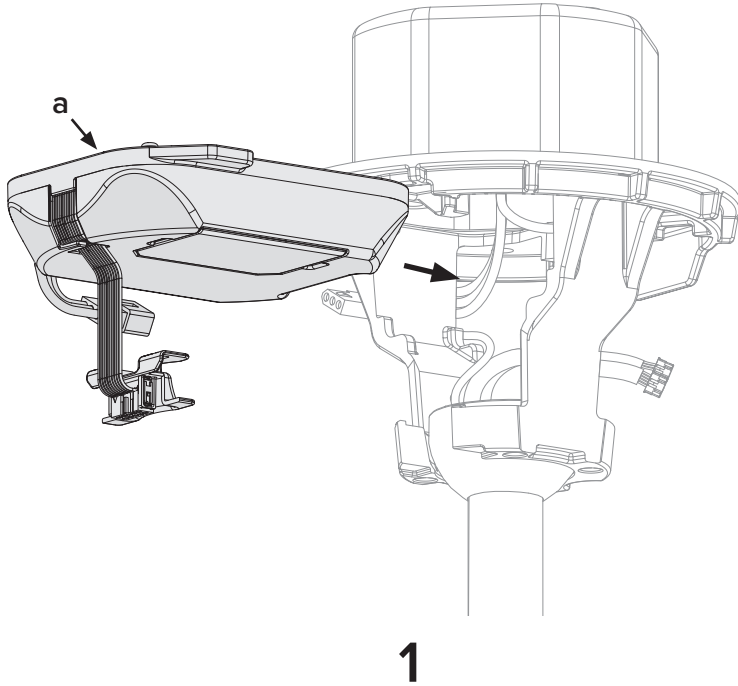
**⚠ Do not connect the fan to a damaged power source! Do not attempt to resolve electrical failures on your own. Consult a qualified electrician if uncertain of the electrical installation of this fan.**

- 1** Make the electrical connections by securing the supply power wires to the loose ends of the wiring harness (a) with the provided wire nuts.
- 2** Test the connection by lightly tugging on the wires.
- 3** Tuck the power wiring and wire nuts into the outlet box.

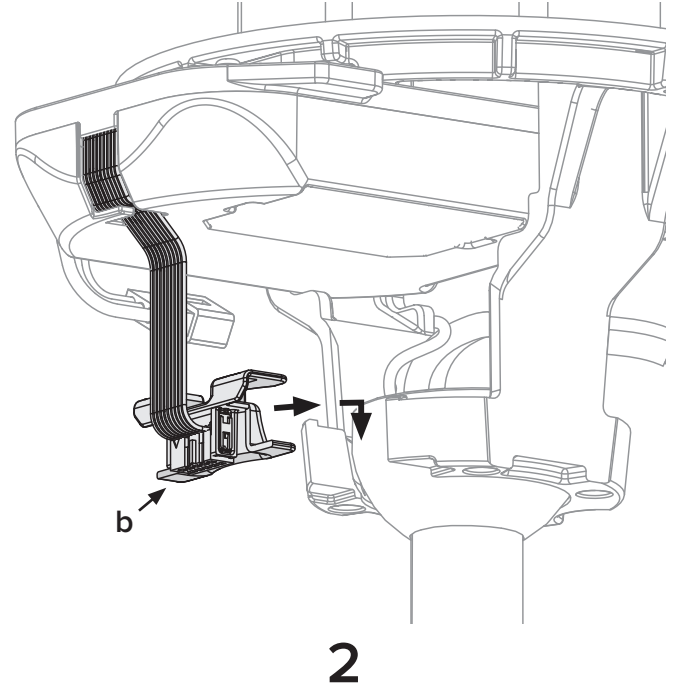
	<b>AC Hot/L1 Black</b>	<b>AC Neutral/L2 White</b>	<b>PE/Earth Ground Green</b>
<b>North America 100–120 V system</b>	Black	White	Green or Bare Copper
<b>All other regions</b>	Brown	Blue	Green with Yellow Tracer

# 13 INSTALL THE CONTROL BOX

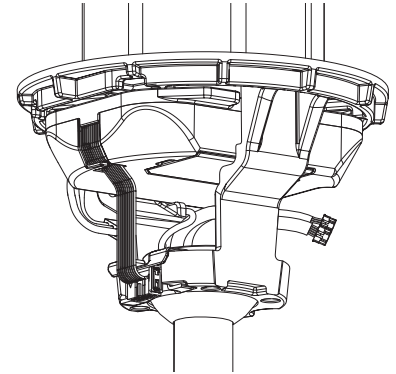
## INSERT CONTROL BOX



## SEAT LED INDICATOR



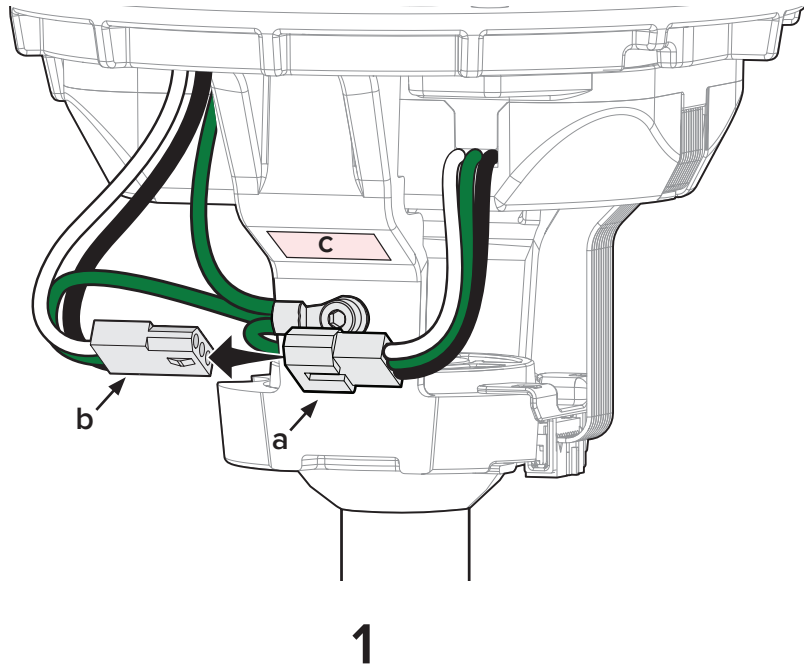
- 1 Insert the control box (a) into the mounting bracket as illustrated. ***Be careful not to pinch the wires between the mounting bracket and control box!***
- 2 Snap the LED indicator (b) into the gap in the mounting bracket. Make sure it is securely seated.



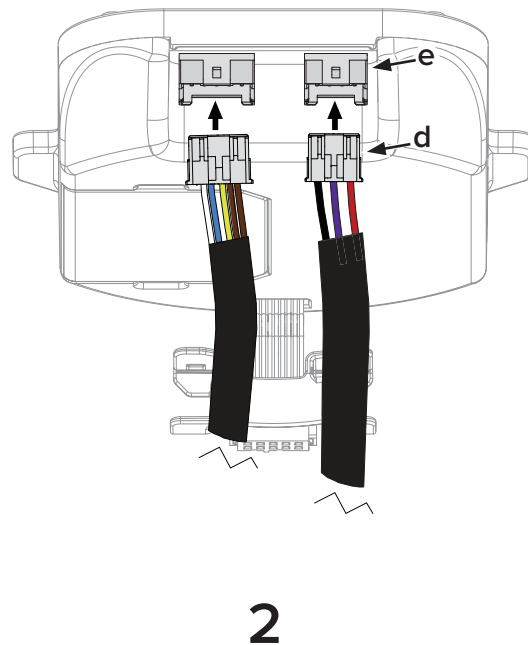
**STEP COMPLETED**

# 14 CONNECT THE CONTROL BOX

## CONNECT SUPPLY POWER HARNESS



## CONNECT WIRING HARNESSES

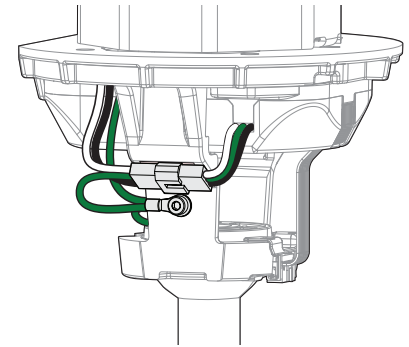


**1** Connect the wiring harness from the control box (a) to the harness from the junction box (b).



**Peel the backing off the double-sided tape (c) on the mounting bracket, and then affix the harnesses to the tape.**

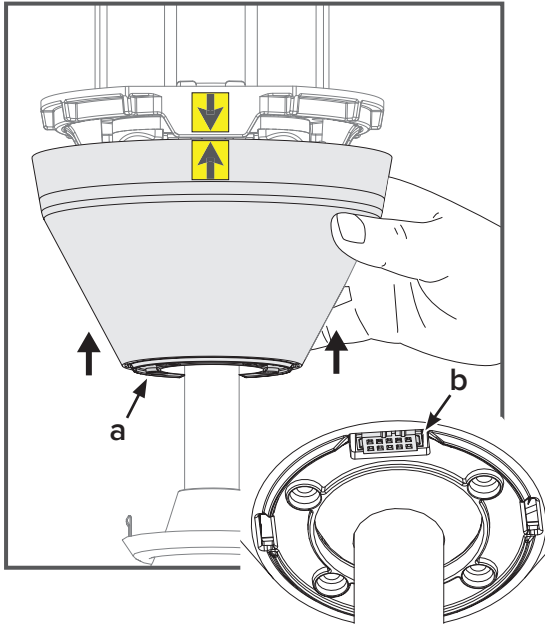
**2** Connect the wiring harnesses from the extension tube (d) to the corresponding receptacles (e) on the control box.



**STEP COMPLETED**

# 15 INSTALL THE WIRING COVER

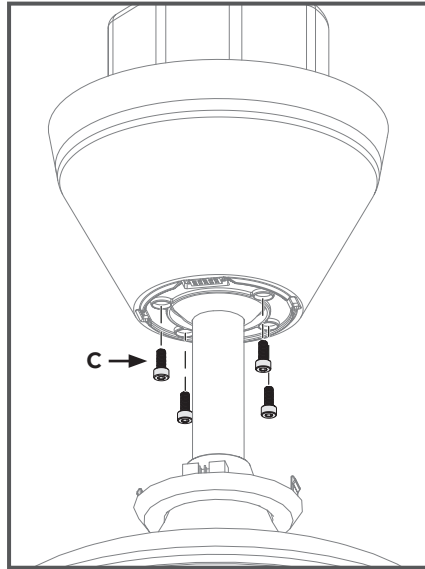
## ALIGN WIRING COVER



1

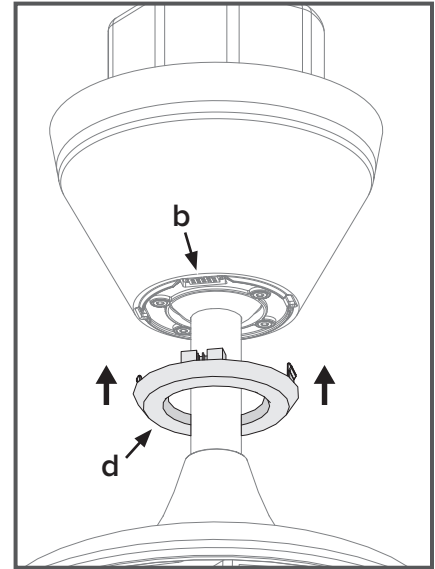
View from below

## INSTALL SCREWS



2

## INSTALL DIFFUSER RING



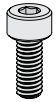
3



- 1** Slide the wiring cover (*a*) up the extension tube, aligning the yellow arrow stickers so that the top of the wiring cover sits flush with the mounting bracket. Make sure the LED indicator receptacle shows through the opening in the cover (*b*).
- 2** Make sure all wiring is tucked into the wiring cover, and then secure the cover with the provided screws (*c*).

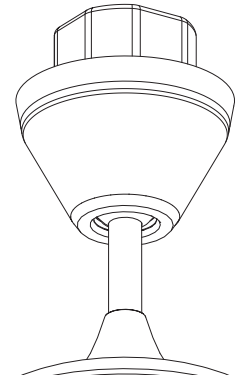
*Wiring Cover Hardware:*

*c. (4) M4 socket head cap screws*



- 3** Slide the LED diffuser ring (*d*) up the extension tube and plug the connector into the LED indicator receptacle through the opening (*b*) in the wiring cover.

Make sure the tabs on the diffuser ring are securely snapped in place.



**STEP COMPLETED**

## 16 TEST THE FAN

*Do not expose the remote control to rain or water.*

Turn on power to the fan location and test functionality using the remote. Turn on the fan and test speed and light brightness.



Turns fan on or off.



Turns light on or off.



Increases fan speed/light brightness.



Decreases fan speed/light brightness.



Sets fan timer length of up to eight hours. Each press extends timer by one hour.



Clears active fan timer.



Varies fan speed to simulate a natural breeze.



Automatically adjusts your fan speed overnight to keep you comfortable while you sleep.



For operation, maintenance, and troubleshooting information, visit [bigassfans.com/support](https://bigassfans.com/support)

© 2016 Big Ass Fans

The information contained in this document is subject to change without notice. May be protected by one or more patents listed at [www.bigassfans.com/patents](http://www.bigassfans.com/patents)

Haiku is a trademark of Delta T LLC, registered in the U.S. and/or other countries.

**LR**



HKU-INST-101-ENG-01