

INSTALLATION GUIDE
GUIDE D'INSTALLATION
GUÍA DE INSTALACIÓN

Installation Guide

For operation, maintenance, and troubleshooting information, visit bigassfans.com/support

Models: K3127-S0, K3127-X2, K3150-A2, K3150-S0, K3150-X2

<i>Topic</i>	<i>Page</i>
Technical Specifications	3
Tools Needed	3
Parts and Hardware	
Low Profile Mount	4
Standard Mount	5
Universal Mount	6
Prepare the Fan Site	7
Install Your Fan	
Airfoils	8
Lower Cover and Trim	10
Mounting Bracket	12
Mounting: Low Profile	20
Mounting: Standard	28
Mounting: Universal	40
Test Your Fan	52

READ AND SAVE THESE INSTRUCTIONS

NOTES

- ⚠️ Disconnect power to the fan location! Do not use the fan with a dimmer switch!**
- ⚠️ A licensed electrician must install the fan if required by your local electrical code.**
- ⚠️ The ground wire must be connected to the supply ground and its length must be longer than the safety cable!**

Technical Specifications

Diameter	Weight	Operating voltage	Operating frequency
132 cm	≤ 6.4 kg	100–240 VAC, 1 Φ	50–60 Hz
152 cm	≤ 7.3 kg	100–240 VAC, 1 Φ	50–60 Hz

Tools Needed

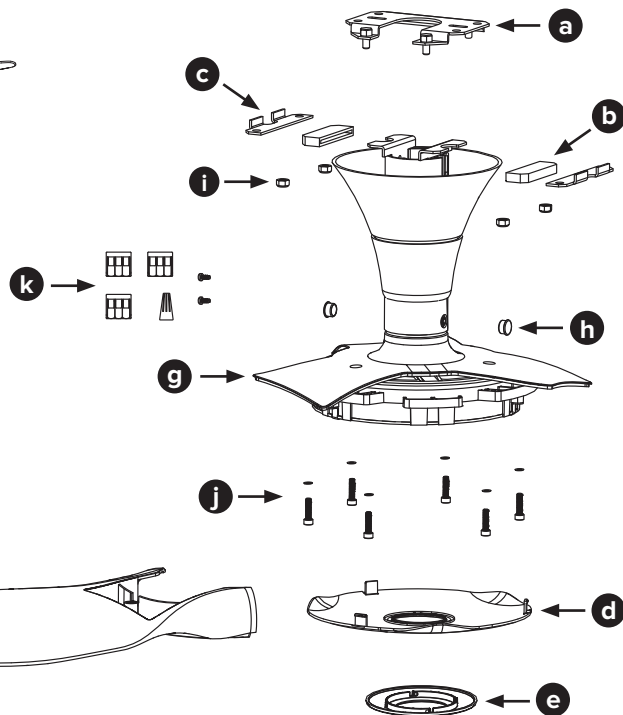
- Ladder
- Wire Strippers
- Phillips Screwdriver
- Wrenches

Box Contents

As you remove the fan from its packaging, make sure you are not missing any components required for assembly and operation. If you ordered multiple fans, be sure to keep the components of each fan together!

PARTS & HARDWARE: LOW PROFILE MOUNT

- a** Mounting plate
- b** (2) Rubber bumper
- c** (2) Mounting bracket
- d** Lower cover
- e** Lower cover trim
- f** (3) Airfoil
- g** Motor hub
- h** (2) Extension tube screw cap[†]
- i** Mounting hardware
 - (4) 6 mm Nylock nut
 - Safety cable shackle^{**}
- j** Airfoil hardware
 - (6) M5 airfoil screw
 - (6) 5 mm lock washer
- k** Wiring hardware
 - Wire connectors
 - Wire nut
 - (2) Wiring cover screw

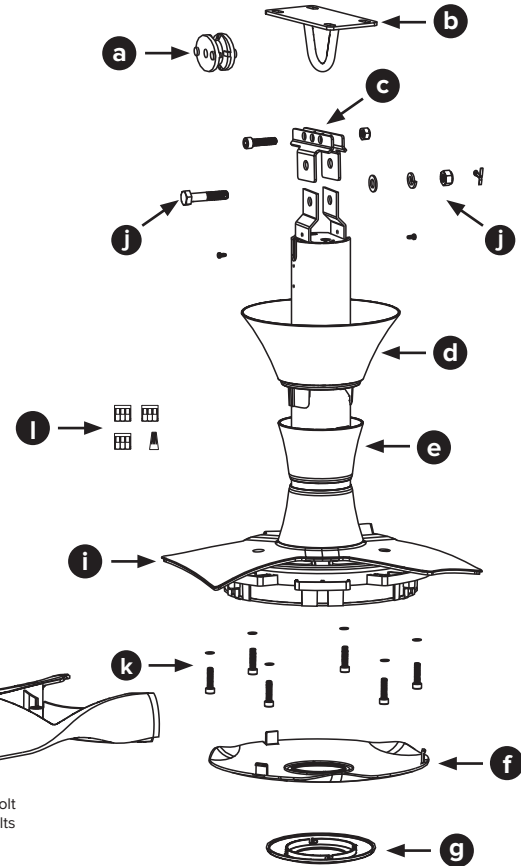
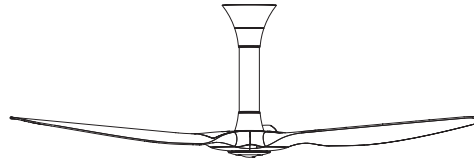


[†] Use the two screw caps that match the color of your fan.

^{**} Safety cable not shown.

PARTS & HARDWARE: STANDARD MOUNT

- a** Rubber bushing
- b** Mounting bracket
- c** (2) Mounting brace bracket
- d** Wiring cover
- e** Wiring cover trim
- f** Lower cover
- g** Lower cover trim
- h** (3) Airfoil
- i** Motor hub
- j** Mounting hardware
 - (2) M6 x 1 x 25 mm socket cap screw*
 - (2) M6 x 1 nylock nut*
 - M8 Bolt
 - 8 mm flat washer
 - 8 mm lock washer
 - M8 nut
 - 2 mm x 2 mm split pin
 - Safety cable shackle**
- k** Airfoil hardware
 - (6) M5 airfoil screw
 - (6) 5 mm lock washer
- l** Wiring hardware
 - Wire connectors
 - Wire nut
 - (2) Wiring cover screw

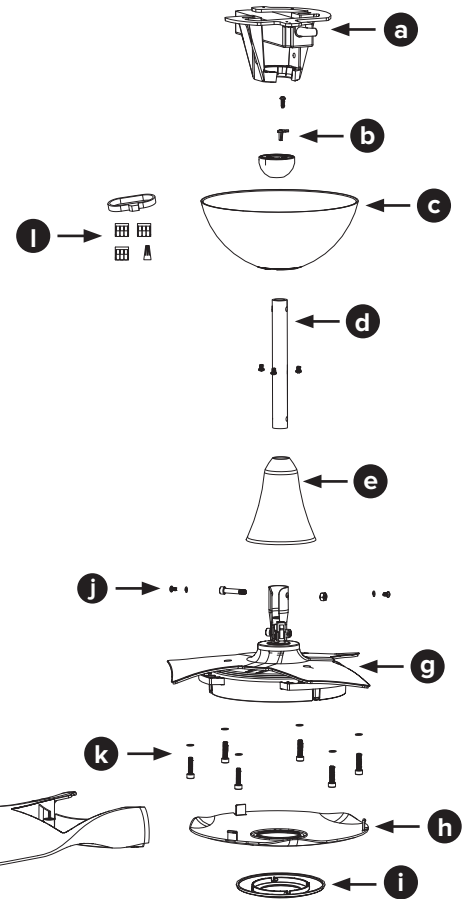
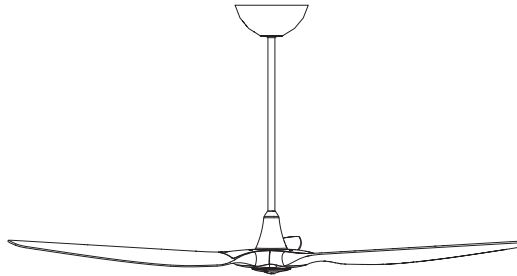


* If installing the fan to a U-shaped ceiling hook or wood ceiling joist, only one (1) bolt and one (1) nut are needed. If installing the fan to a J-shaped ceiling hook, two (2) bolts and two (2) nuts are needed.

** Safety cable not shown.

PARTS & HARDWARE: UNIVERSAL MOUNT

- a** Mounting bracket
- b** Mounting ball & wedge
- c** Canopy
- d** Extension tube
- e** Wiring cover
- f** (3) Airfoil
- g** Motor hub
- h** Lower cover
- i** Lower cover trim
- j** Mounting hardware
 - 4 mm self-tapping screw
 - 6 mm steel pin
 - (6) M4 x 10 mm screw
 - (2) M4 lock washer
 - Safety cable shackle*
 - M6 x 32 mm bolt
 - M6 nut
- k** Airfoil hardware
 - (6) M5 airfoil screw
 - (6) 5 mm lock washer
- l** Wiring hardware
 - Wire connectors
 - Wire nut
 - Cable tie



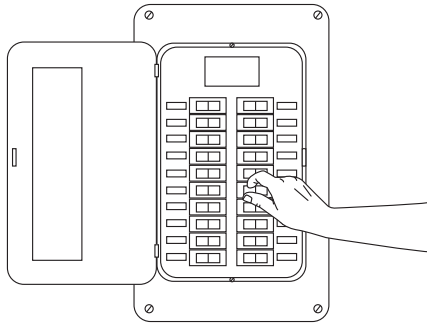
* Safety cable not shown.

1 PREPARE THE FAN SITE



Installation requires basic electrical knowledge. Contact a licensed electrician if you are uncomfortable performing electrical work!

1 Disconnect Power!



Disconnect power to the fan location before wiring the fan!



A readily accessible disconnect device shall be incorporated external to the equipment.

2 Mounting Structure*

If you are installing the fan directly to the building structure, the structure must be *suitable for fan support*.

*The fixing means for attachment to the ceiling (such as hooks or other devices) shall be fixed with a sufficient strength to withstand four times the weight of the ceiling fan.

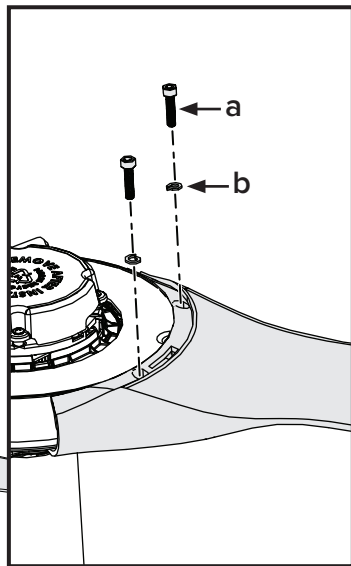
*Malaysia: The fixing means for attachment to the ceiling (such as hooks or other devices) shall be fixed with a sufficient strength to withstand ten times the weight of the ceiling fan.

2

INSTALL THE AIRFOILS

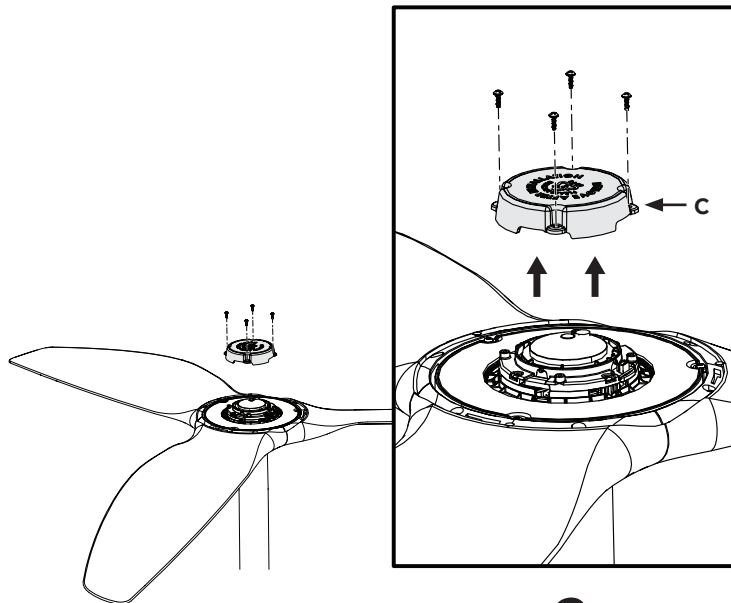
 Make sure the stickers on the airfoils match the stickers on the fan hub!

INSTALL AIRFOILS



1

REMOVE PROTECTIVE COVER



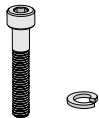
2

- 1 Moving clockwise around the fan, align each airfoil on the fan hub and secure it with the screws and washers. **Make sure the stickers on the airfoils match the stickers on the fan hub.**

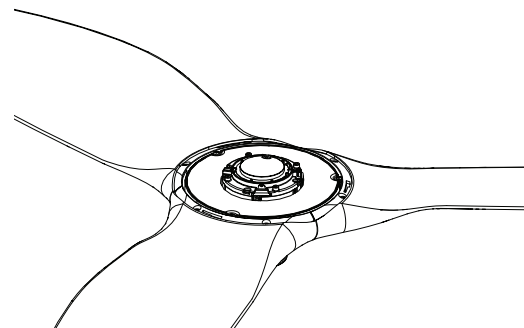
Hardware:

a. M5 airfoil screw

b. 5 mm lock washer



- 2 Remove and recycle the plastic protective cover (c).



STEPS COMPLETED

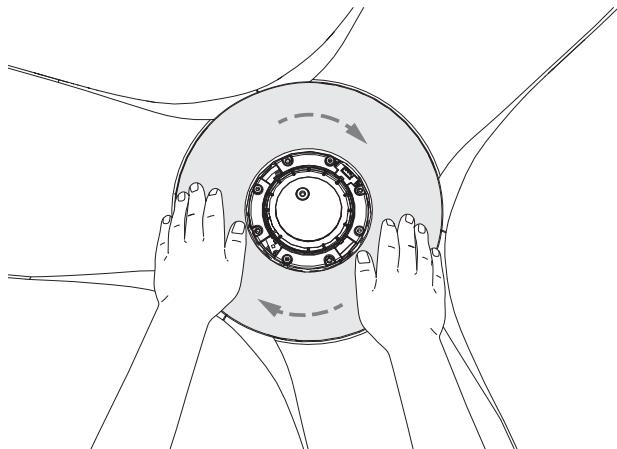
3

INSTALL THE LOWER COVER AND TRIM



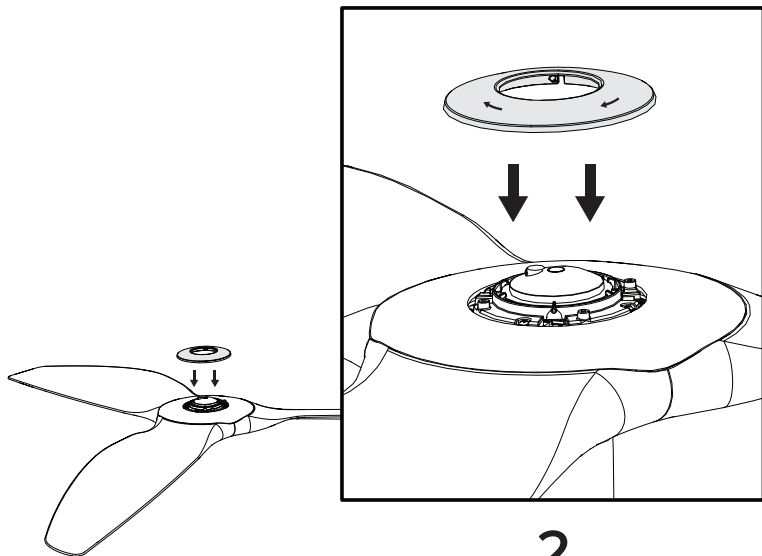
If you purchased the Haiku Light Kit, proceed to the instructions included with the kit. Return to these instructions once the kit is installed.

INSTALL LOWER COVER



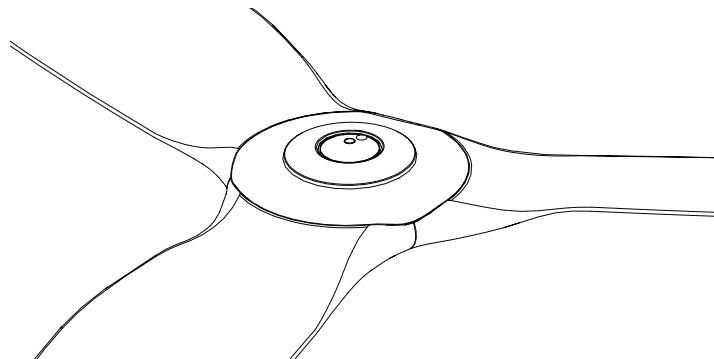
1

INSTALL LOWER COVER TRIM



2

- 1** Position the lower cover over the fan motor, and then place both hands flat on the cover and turn it clockwise to lock it in place.
- 2** Align the four slots on the lower cover trim with the four small round tabs on the fan hub. Press and turn the lower cover trim clockwise to lock it into place.



STEPS COMPLETED

INSTALL THE MOUNTING BRACKET

Concrete Ceiling

If installing your fan on a concrete ceiling, ensure power wiring has been routed to the fan site.

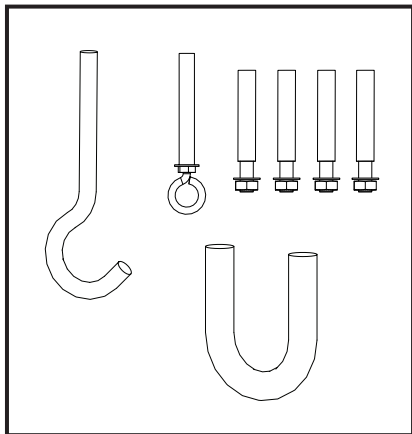
Low Profile Mount. Attach the mounting plate directly to the ceiling using four Ø 8 mm anchor bolts. If required by your local building and safety code, install an Ø 8 mm anchor hook for the safety cable.

Standard Mount. Install the fan where there is a ceiling hook or other sufficient structural support. If there is not a hook at the fan site, install the mounting bracket using four Ø 8 mm anchor bolts. If required by your local building and safety code, install an Ø 8 mm anchor hook for the safety cable.

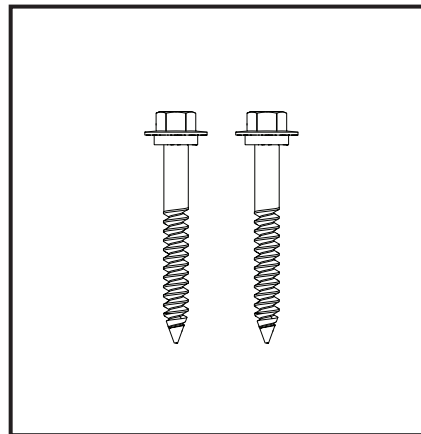
Universal Mount. Attach the mounting bracket directly to the ceiling using three Ø 8 mm anchor bolts. If required by your local building and safety code, install an Ø 8 mm anchor hook for the safety cable.

Wood Ceiling Joist

If installing your fan on a wood ceiling joist, ensure power wiring has been routed to the fan site. Attach the mounting plate or mounting bracket directly to the joist using wood screws (not supplied). Big Ass Fans recommends using corrosion-resistant 12-11 x 45 mm hex head timber screws with seal.



4a Concrete Ceiling
Page 14

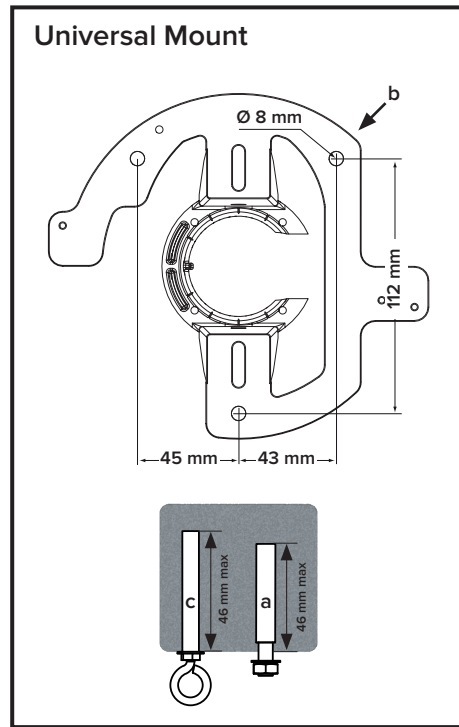
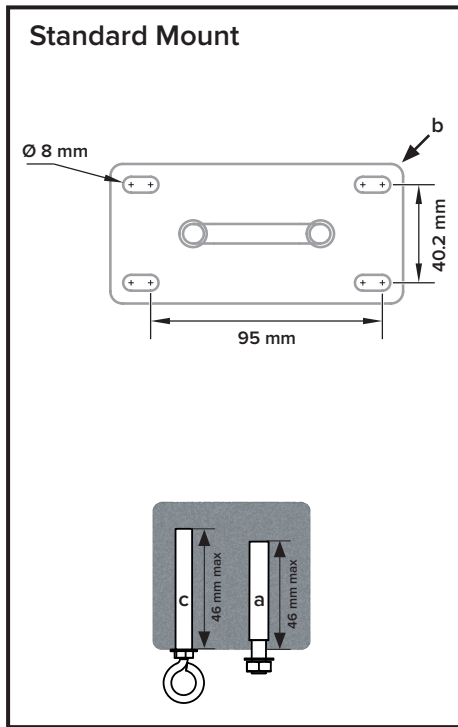
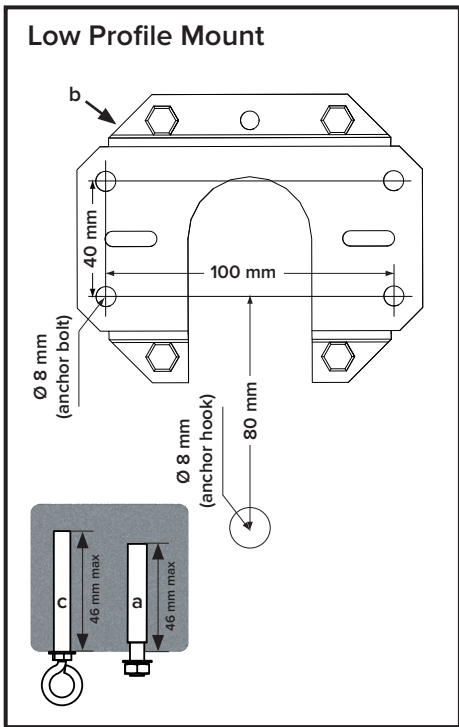


4b Wood Ceiling Joist
Page 16

4a INSTALL THE MOUNTING BRACKET (CONCRETE CEILING)



Install an anchor hook for the safety cable if required by your local building and safety code.



⚠ Make sure power is disconnected from the fan location before installing the mounting plate or mounting bracket!

Low Profile Mount

Drill four Ø 8 mm holes in the pattern shown. The hole depth should not exceed 46 mm.

Remove any dust from the holes. Insert four anchor bolts (a) into the holes. Strike the heads of the anchor bolts with a hammer, ensuring the bolt sleeves are flush with the ceiling surface.

Position the mounting plate (b) on the anchor bolts. Ensure all four anchor bolts are fully tightened to expand and lock the anchors.

If required by local building and safety codes, install an anchor hook (c) for the safety cable. Drill an Ø 8 mm hole for the anchor hook in the pattern shown. The hole depth should not exceed 46 mm. Remove any dust from the hole, and then insert the anchor hook and fully tighten.

Standard Mount

Drill four Ø 8 mm holes in the pattern shown. The hole depth should not exceed 46 mm.

Remove any dust from the holes. Insert four anchor bolts (a) into the holes. Strike the heads of the anchor bolts with a hammer, ensuring the bolt sleeves are flush with the ceiling surface.

Position the hanger plate (b) on the anchor bolts. Ensure all four anchor bolts are fully tightened to expand and lock the anchors.

If required by local building and safety codes, install an anchor hook (c) for the safety cable. Drill an Ø 8 mm hole for the anchor hook adjacent to the hanger plate. The hole depth should not exceed 46 mm. Remove any dust from the hole, and then insert the anchor hook and fully tighten.

Universal Mount

Drill three Ø 8 mm holes in the pattern shown. The hole depth should not exceed 46 mm.

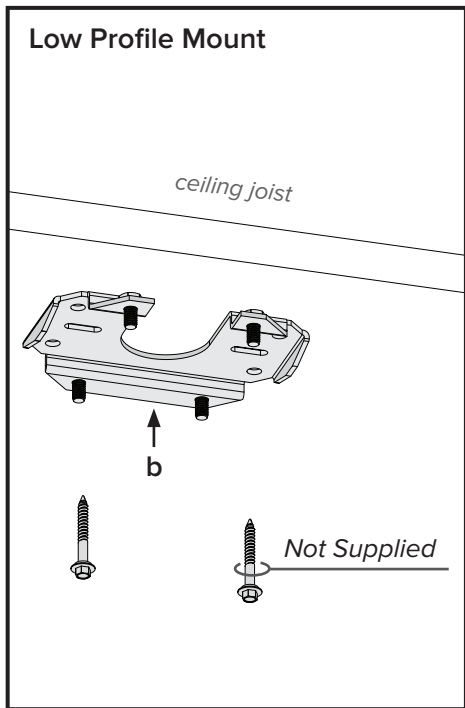
Remove any dust from the holes. Insert three anchor bolts (a) into the holes. Strike the heads of the anchor bolts with a hammer, ensuring the bolt sleeves are flush with the ceiling surface.

Position the mounting bracket (b) on the anchor bolts. Ensure all three anchor bolts are fully tightened to expand and lock the anchors.

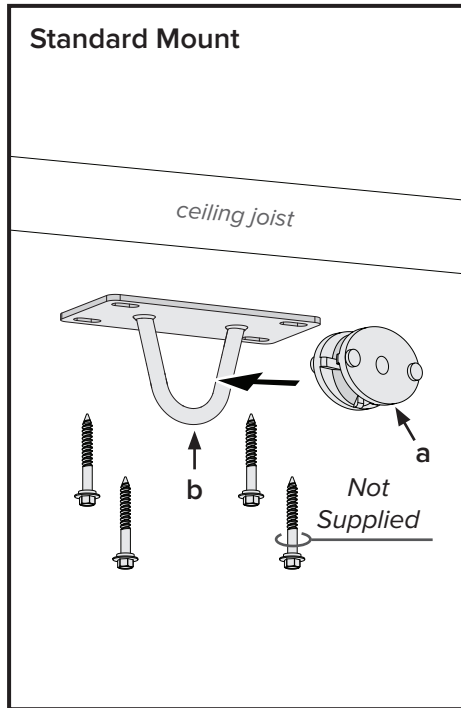
If required by local building and safety codes, install an anchor hook (c) for the safety cable. Drill an Ø 8 mm hole for the anchor hook. The hole depth should not exceed 46 mm. Remove any dust from the hole, and then insert the anchor hook and fully tighten.

4b INSTALL THE MOUNTING BRACKET (WOOD CEILING JOIST)

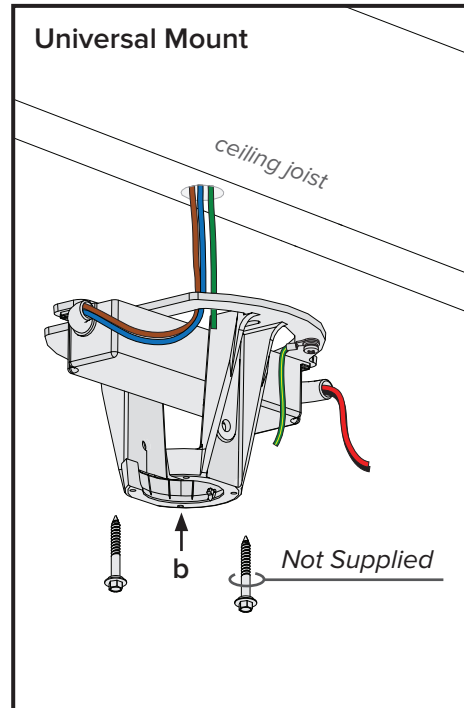
Low Profile Mount



Standard Mount



Universal Mount



⚠ Make sure power is disconnected from the fan location before installing the mounting plate or mounting bracket!

If installing a Standard Mount fan, seat the rubber bushing (a) in the eye of the mounting bracket (b).

Secure the mounting plate or mounting bracket (b) to the joist with 12-11 x 45 mm hex head timber screws with seal (not supplied).

If installing a Universal Mount fan to a sloped ceiling joist, secure the mounting bracket so that the open side of the bracket is facing up the slope of the joist.

MOUNT THE FAN

Low Profile Mount

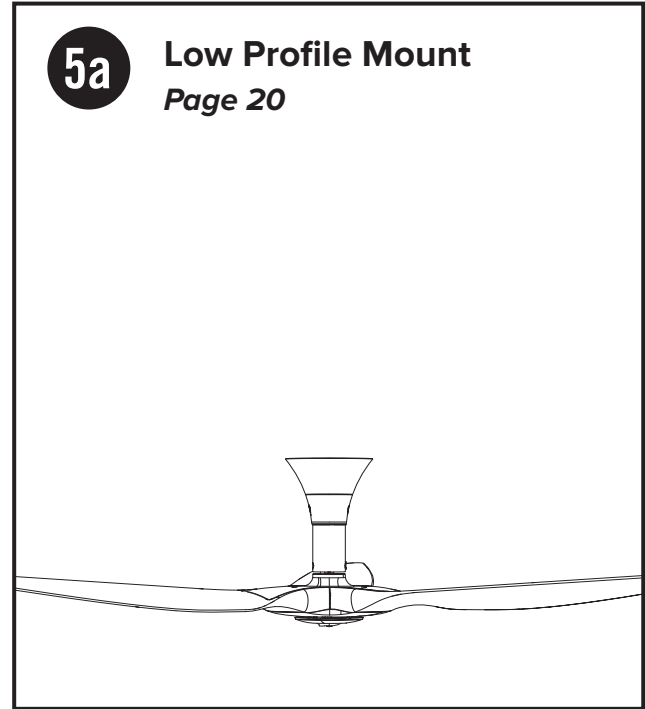
The low profile mount can be installed on flat ceilings that are as low as 8 feet (2.4 m).

Standard Mount

The standard mount moves air most efficiently when installed on flat ceilings ranging from 8.5–11 feet (2.5–3.4 meters) tall.

Universal Mount

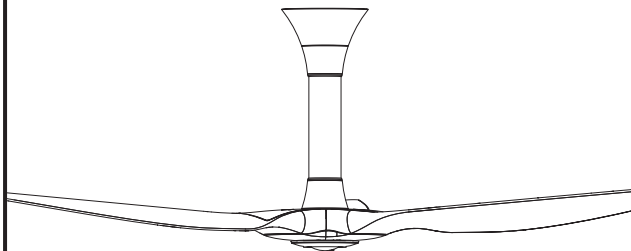
The universal mount can be installed on sloped or flat ceilings ranging from 10.5–14+ feet (3.2–4.3+ meters) tall.



5b

Standard Mount

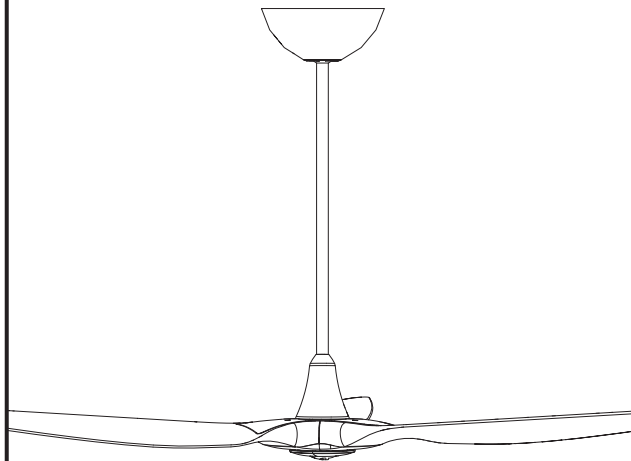
Page 28



5c

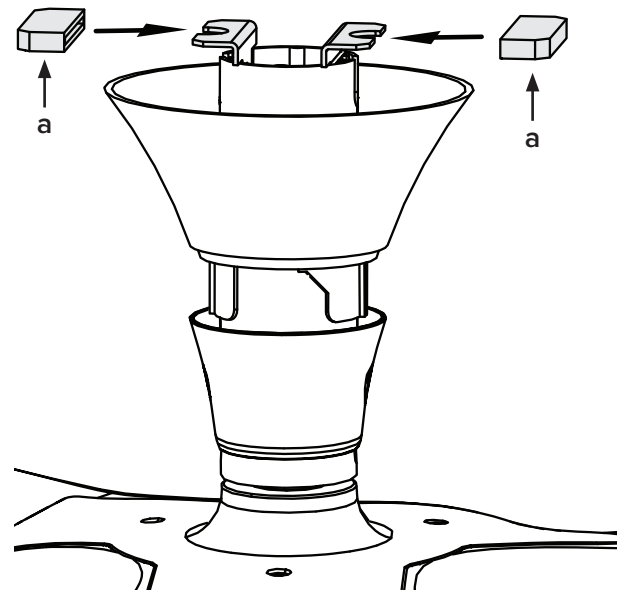
Universal Mount

Page 40



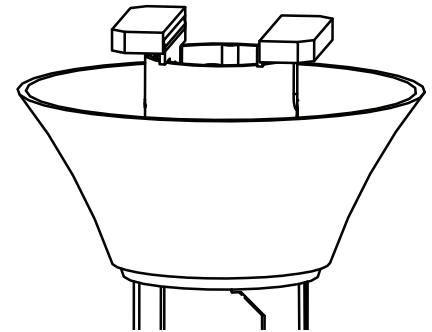
5a MOUNTING: LOW PROFILE

INSTALL RUBBER BUMPERS



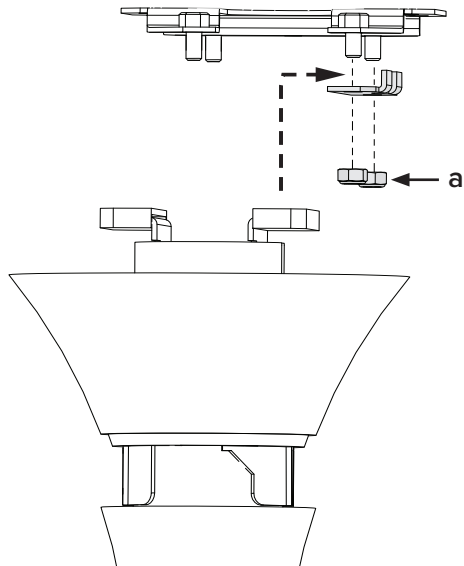
1

- 1 Slide the rubber bumpers (a) onto the extension tube brackets.



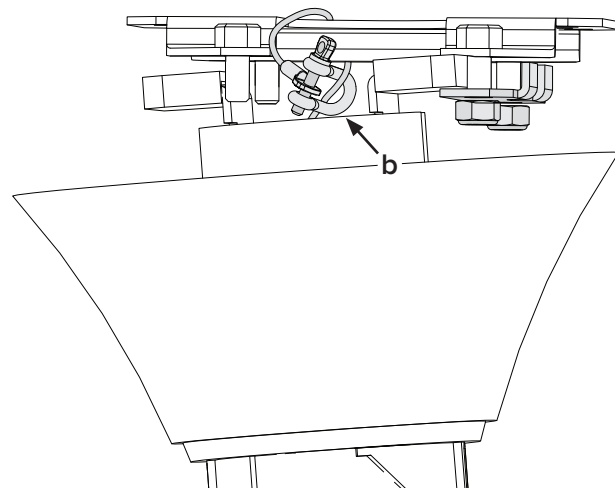
STEP COMPLETED

SUPPORT FAN



2

SECURE SAFETY CABLE



3

- 2** Loosely attach one mounting bracket to the mounting plate with the nylock nuts, but do not fully tighten. Raise the fan to the bracket and temporarily rest one rubber bumper in the space between the bracket and plate. This provides extra support when securing the safety cable.

Hardware:

a. 6 mm nylock nuts



3 Wood Ceiling Joist

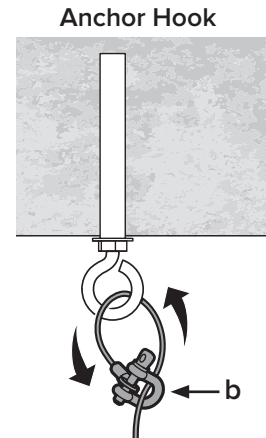
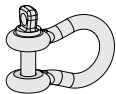
While supporting the fan, loop the safety cable around the mounting plate or building structure, and then secure it with the shackle (b). Allow the fan to hang from the safety cable.

Concrete Ceiling

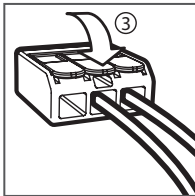
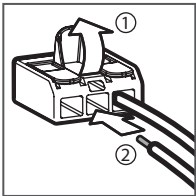
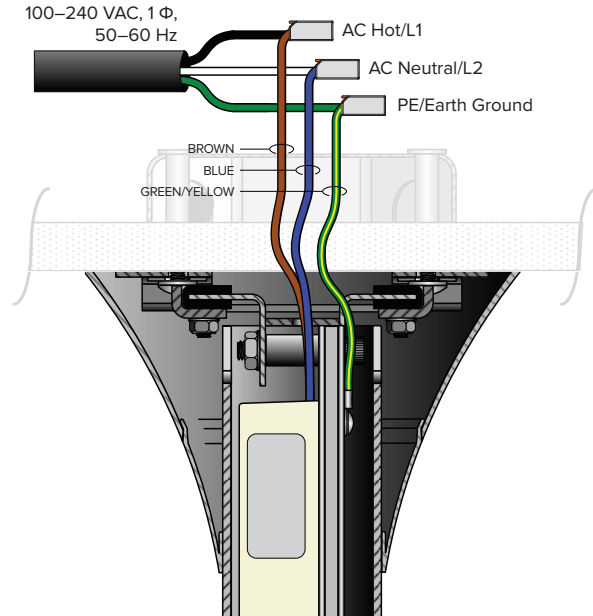
Secure the safety cable to an anchor hook that is properly installed in the concrete ceiling. Allow the fan to hang from the safety cable.

Hardware:

b. Shackle



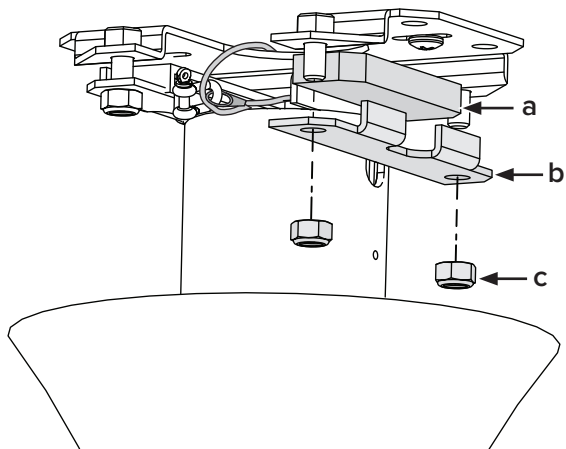
Wiring Diagram



- ⚠️ Disconnect power to the fan location before wiring the fan!**
 - ⚠️ A licensed electrician must install the fan if required by your local electrical code.**
 - ⚠️ Do not connect the fan to a damaged power source! Do not attempt to resolve electrical failures on your own. Consult a qualified electrician if uncertain of the electrical installation of this fan.**
- 4** With the fan hanging from the safety cable, insert the fan wires and ceiling wires into the wire connectors. Test the connection by lightly tugging on the wires.

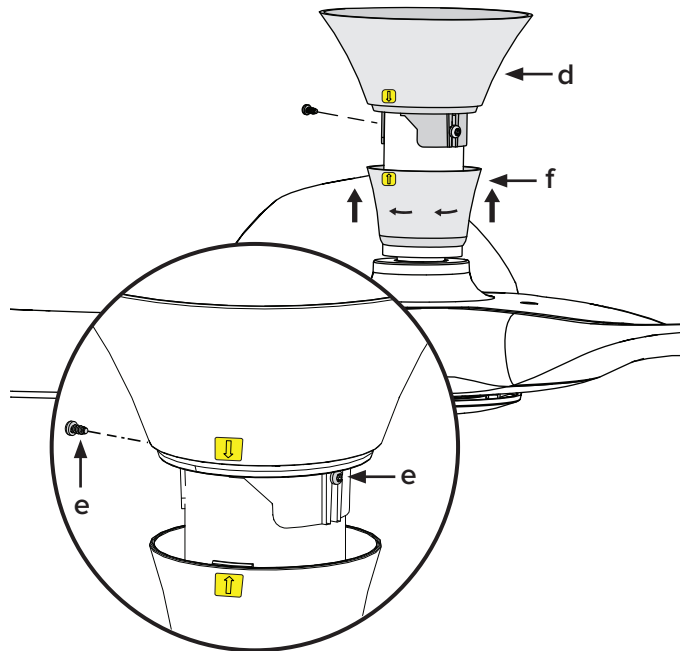
	AC Hot/L1 Brown	AC Neutral/L2 Blue	PE/Earth Ground (connected to fan chassis) Green with Yellow Tracer
Australia	Brown or Red	Black or Light Blue	Green with Yellow Tracer
All other regions	Brown	Blue	

INSTALL MOUNTING BRACKETS



5

INSTALL WIRING COVER AND TRIM



6

- 5** Raise the fan to the mount. Insert one rubber bumper between the mounting plate and the loosely installed mounting bracket. Position the other rubber bumper (*a*), and then secure it with the remaining mounting bracket (*b*) and the nuts. Tighten all hardware.

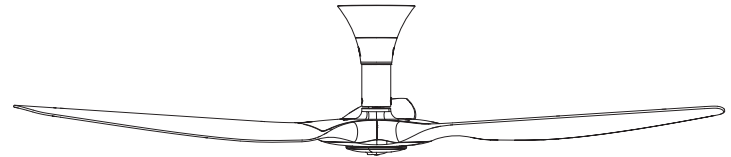
Hardware:

c. 6 mm nylock nuts



- 6** Slide the wiring cover (*d*) up the extension tube, allowing about a 1/8" (3 mm) gap to the ceiling. Rotate the cover so that the mounting slots align with the screw holes on the extension tube, and then secure it with the screws (*e*).

Slide the trim (*f*) up the extension tube, aligning the tabs on the inside with the slots on the bottom of the wiring cover. Twist clockwise to snap the trim into position.

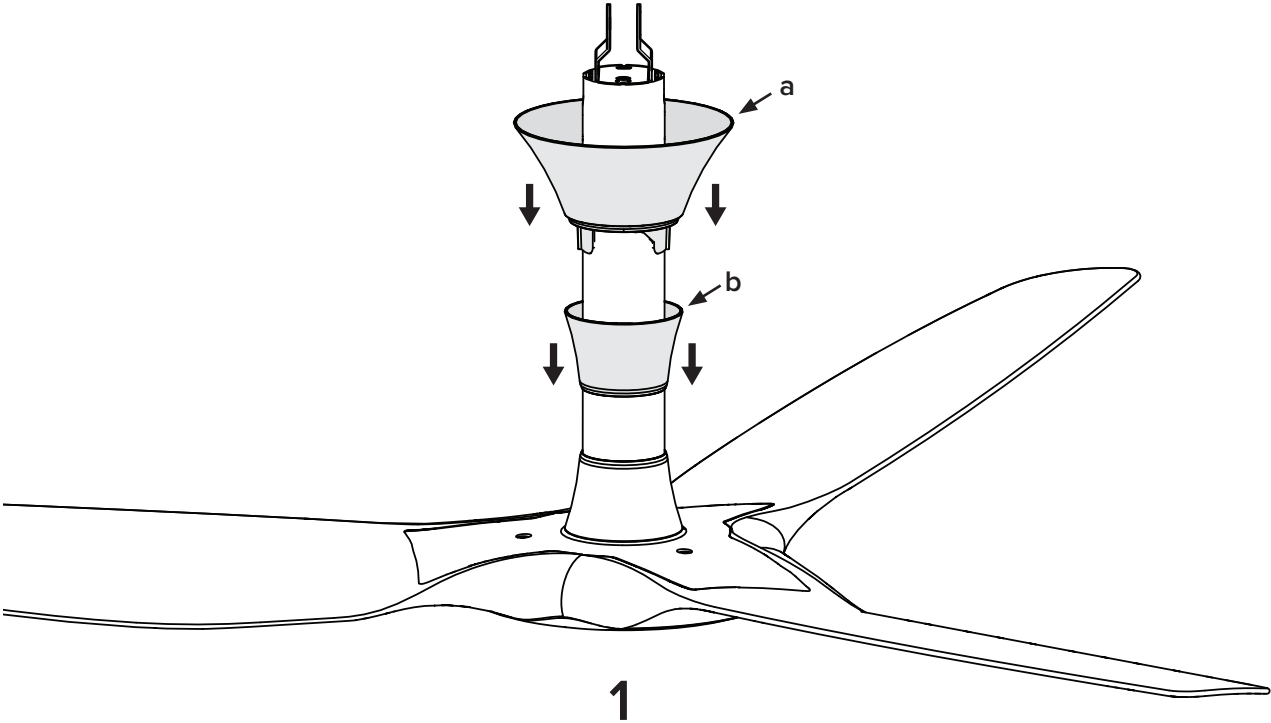


INSTALLATION COMPLETED

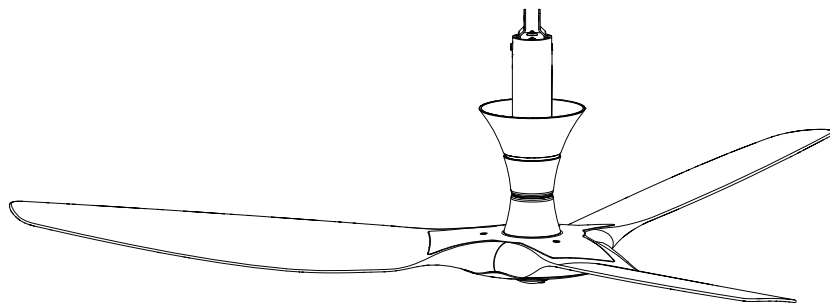
5b

MOUNTING: STANDARD

POSITION WIRING COVER AND TRIM



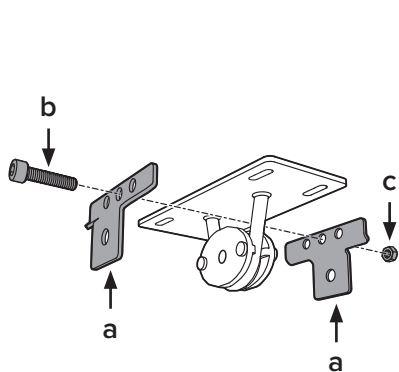
- 1 With the fan in the upright position, remove the protective covering from the extension tube. Slide the wiring cover (*a*) and wiring cover trim (*b*) over the extension tube, resting them on the fan hub.



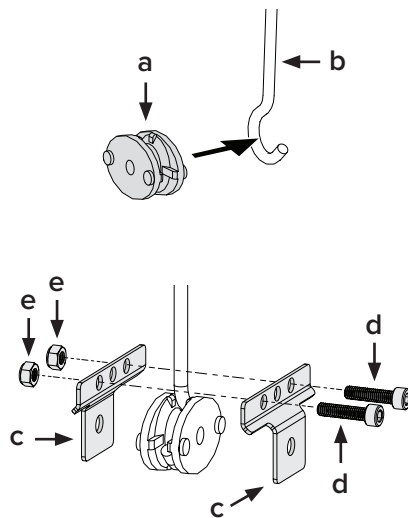
STEP COMPLETED

SECURE MOUNT BRACE BRACKETS

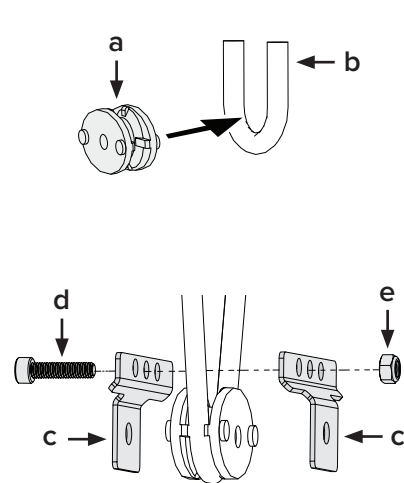
Wood Joist



J-Shaped Ceiling Hook



U-Shaped Ceiling Hook



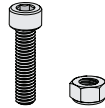
2 Wood Ceiling Joist

Loosely install the mount brace brackets (a) with the provided hardware. One bolt should be inserted in the middle hole. Do not fully tighten the hardware.

Hardware:

b. M6 x 1 x 25 mm socket cap screw

c. M6 x 1 nylock nut



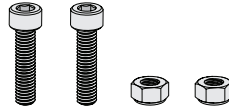
J-Shaped Ceiling Hook

Make sure the ceiling hook is cast into the concrete ceiling. Seat the rubber bushing (a) in the eye of the ceiling hook (b). Loosely install the mount brace brackets (c) with the provided hardware. Two bolts should be inserted in the outer holes. Do not fully tighten the hardware.

Hardware:

d. M6 x 1 x 25 mm socket cap screws

e. M6 x 1 nylock nuts



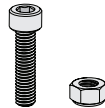
U-Shaped Ceiling Hook

Make sure the ceiling hook is cast into the concrete ceiling. Seat the rubber bushing (a) in the eye of the ceiling hook (b). Loosely install the mount brace brackets (c) with the provided hardware. One bolt should be inserted in the middle hole. Do not fully tighten the hardware.

Hardware:

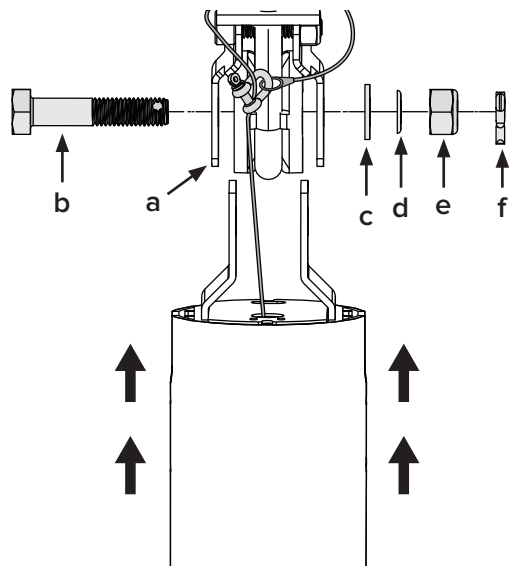
d. M6 x 1 x 25 mm socket cap screw

e. M6 x 1 nylock nut

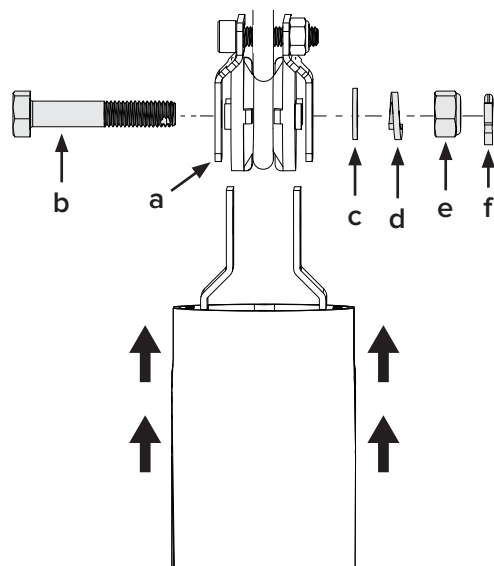


HANG FAN

Wood Joist



Concrete Ceiling



- 3** Raise the extension tube to the mount, and insert the extension tube brackets between the mount brackets (a) and the rubber bushing so that the mounting holes are aligned. Secure the extension tube with the mounting hardware. *Fully tighten all hardware so that the brackets are slightly bent.*

Hardware:

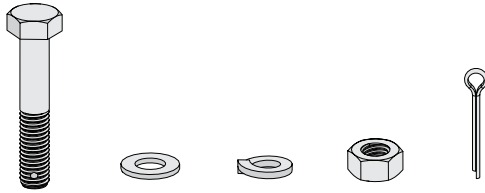
b. M8 bolt

c. 8 mm flat washer

d. 8 mm lock washer

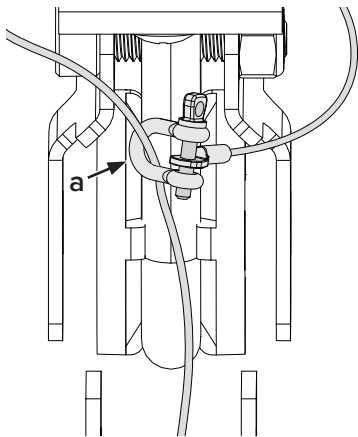
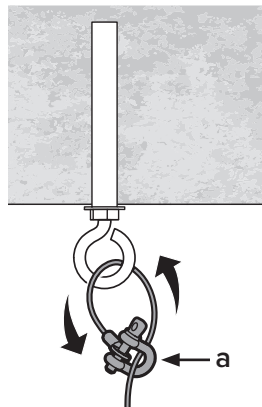
e. M8 nut

f. 2 mm x 2 mm split pin

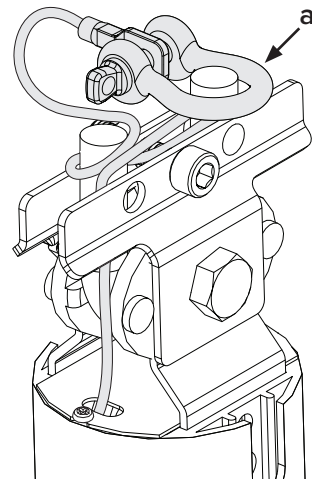


SECURE SAFETY CABLE

Wood Joist

J-Shaped Ceiling Hook or
Hanger Plate

U-Shaped Ceiling Hook



4

4 Wood Ceiling Joist

Loop the safety cable around the mounting bracket or building structure, and then secure it with the shackle (a).

J-Shaped Ceiling Hook or Hanger Plate

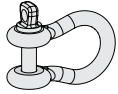
Secure the safety cable to an anchor hook that is properly installed in the concrete ceiling. Loop the safety cable around the ceiling hook and through the anchor hook, and then secure it with the shackle (a).

U-Shaped Ceiling Hook

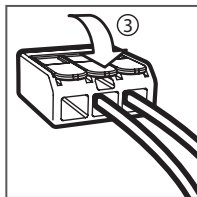
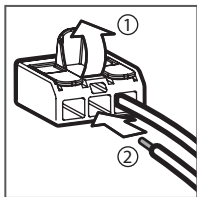
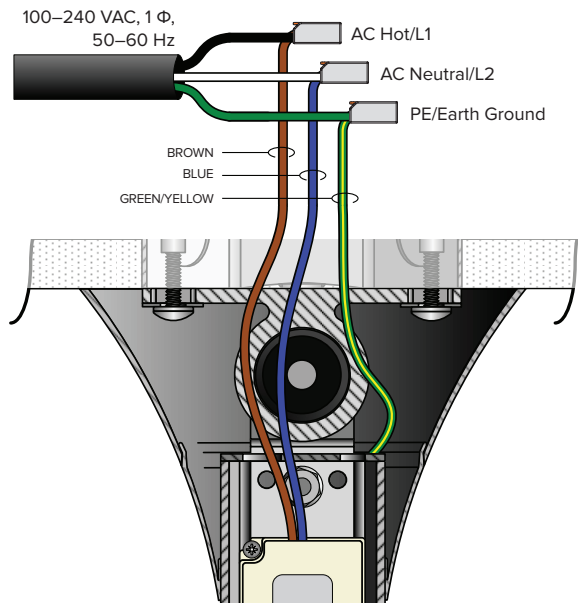
Loop the safety cable around the ceiling hook, and then secure it with the shackle (a).

Hardware:

a. Shackle



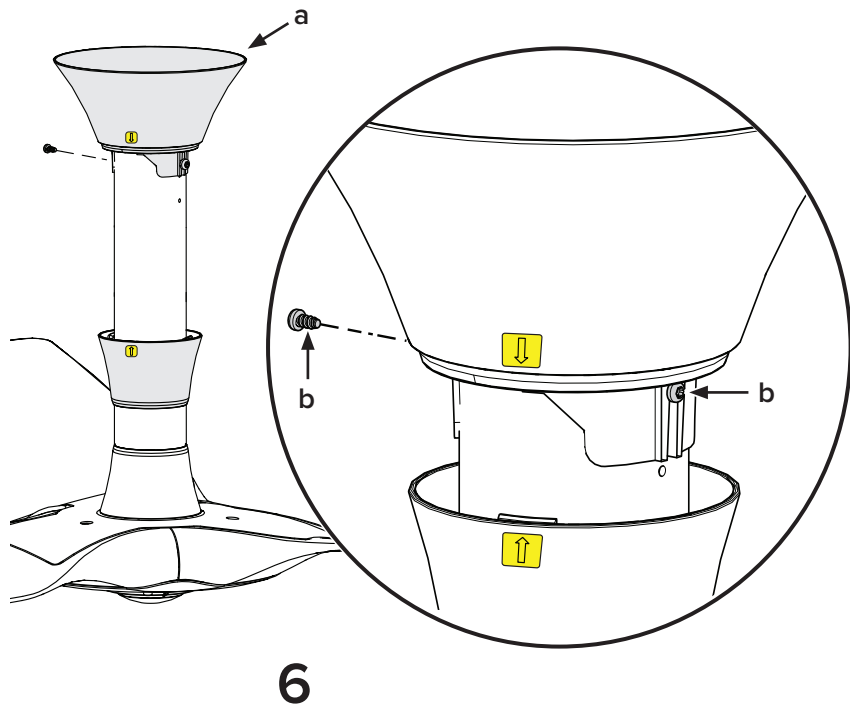
Wiring Diagram



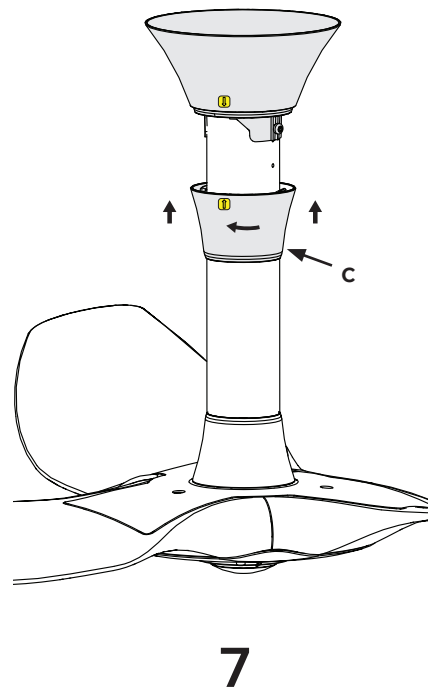
- ⚠️ Disconnect power to the fan location before wiring the fan!**
 - ⚠️ A licensed electrician must install the fan if required by your local electrical code.**
 - ⚠️ Do not connect the fan to a damaged power source! Do not attempt to resolve electrical failures on your own. Consult a qualified electrician if uncertain of the electrical installation of this fan.**
- 5** Insert the fan wires and ceiling wires into the wire connectors. Test the connection by lightly tugging on the wires.

	AC Hot/L1 Brown	AC Neutral/L2 Blue	PE/Earth Ground (connected to fan chassis) Green with Yellow Tracer
Australia	Brown or Red	Black or Light Blue	Green with Yellow Tracer
All other regions	Brown	Blue	

INSTALL WIRING COVER

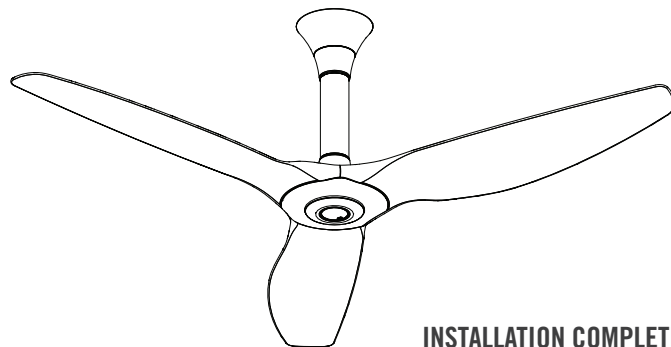


INSTALL WIRING COVER TRIM



- 6 Slide the wiring cover (a) up the extension tube, allowing about a 1/8" (3 mm) gap to the ceiling. Rotate the wiring cover so that the mounting slots align with the screw holes on the extension tube, and then secure it with the screws (b). Make sure that there are no wires visible. *If there is not enough clearance between the cover and ceiling, move the screw to the lower hole.*

- 7 Slide the wiring cover trim (c) up the extension tube, aligning the tabs on the inside with the slots on the bottom of the wiring cover. Twist clockwise to snap into position.

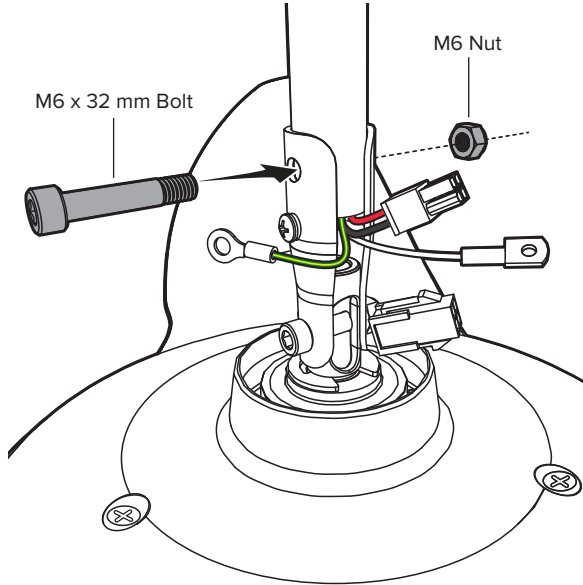


INSTALLATION COMPLETED

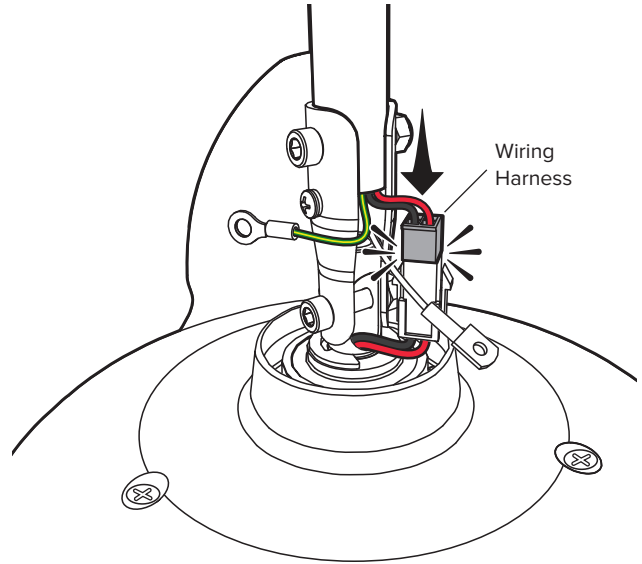
5c

MOUNTING: UNIVERSAL

ATTACH EXTENSION TUBE AND WIRING HARNESS



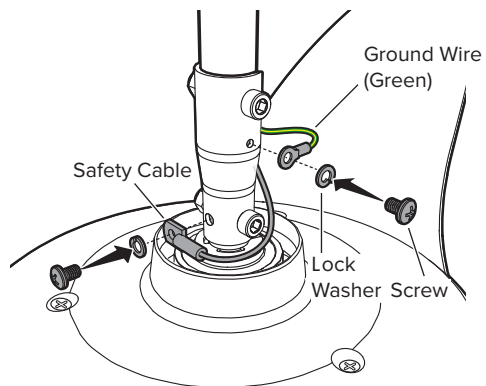
1



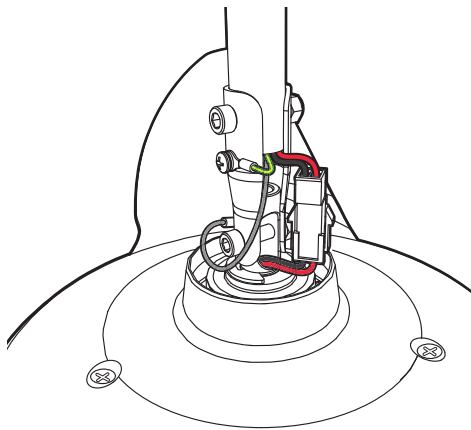
2

- 1** Align the holes on the extension tube with the holes on the motor bracket, and then secure the tube with the M6 x 32 mm bolt and M6 nut.
- 2** Connect the wiring harness from the extension tube to the receptacle from the motor hub.

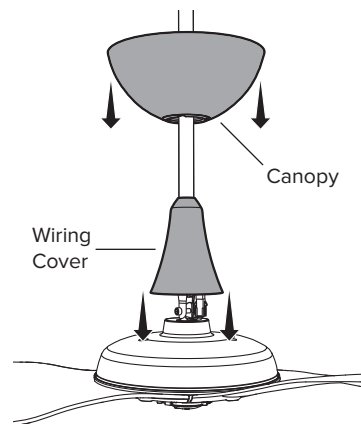
INSTALL LOWER SAFETY CABLE AND GROUND WIRE



3

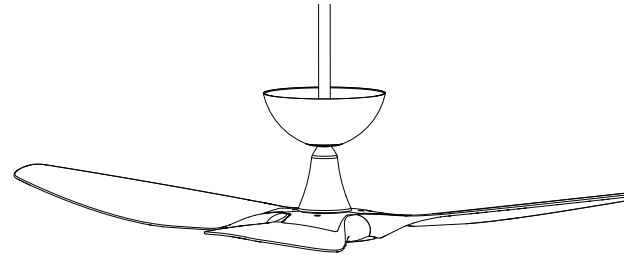


4



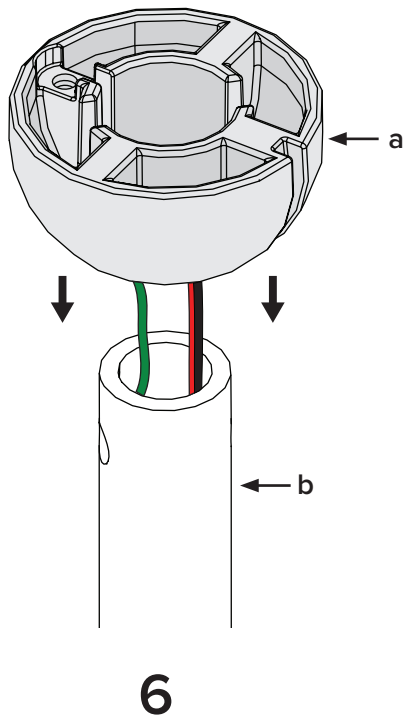
5

- 3** Install the safety cable and ground wire lugs with the unpainted screws and lock washers.
- 4** Make sure all hardware is secure, and then gently tug the cables at the top of the extension tube to reduce slack.
- 5** Slide the wiring cover down the extension tube, resting it on the fan hub. Make sure no wires are visible between the cover and fan hub. Slide the canopy down the extension tube.

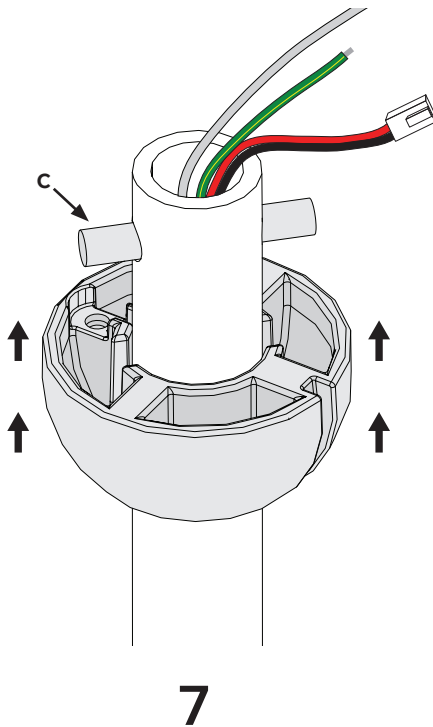


STEPS COMPLETED

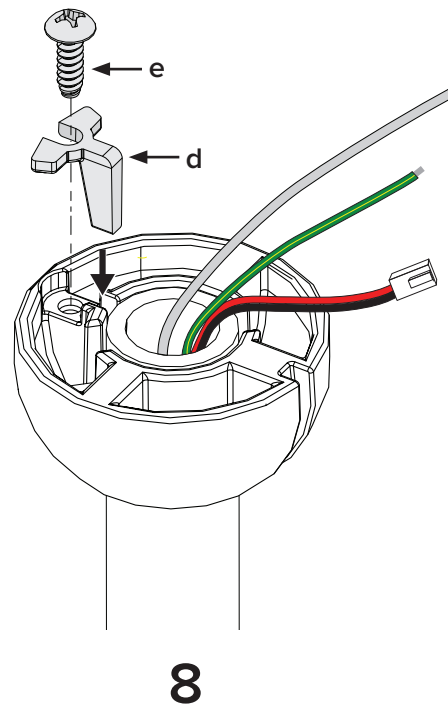
POSITION MOUNTING BALL



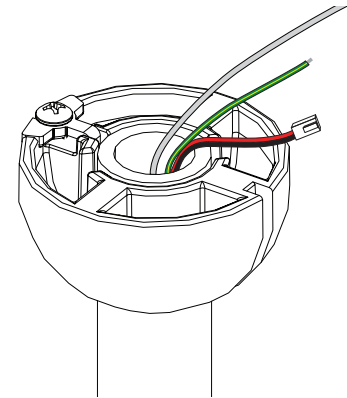
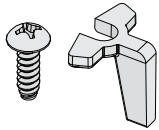
INSTALL STEEL PIN



INSTALL WEDGE

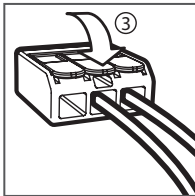
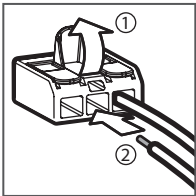
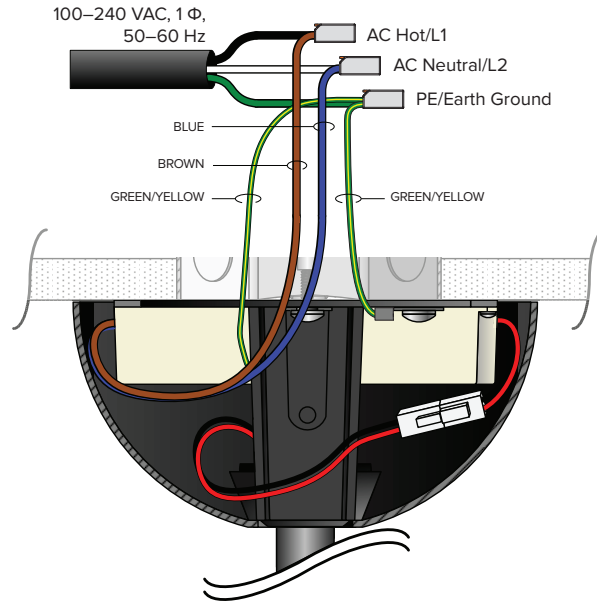


- 6 Slide the mounting ball (*a*) over the extension tube (*b*).
- 7 Insert the 6 mm steel pin (*c*) into the hole at the top of the extension tube, and then slide the mounting ball upward, seating the steel pin in the inner slots.
- 8 Insert the wedge (*d*) into the mounting ball and secure it with the screw (*e*). Tighten the screw enough to prevent movement between the mounting ball and extension tube, but do not overtighten.



STEPS COMPLETED

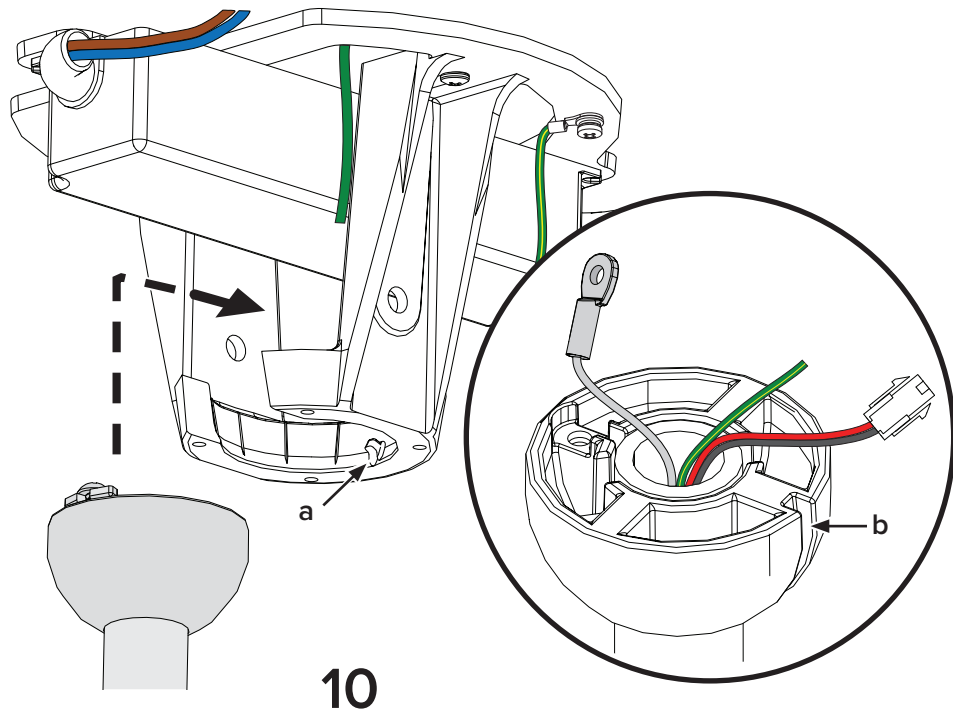
Wiring Diagram



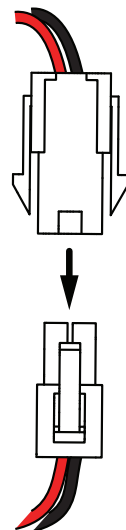
- ⚠️ Disconnect power to the fan location before wiring the fan!**
 - ⚠️ A licensed electrician must install the fan if required by your local electrical code.**
 - ⚠️ Do not connect the fan to a damaged power source! Do not attempt to resolve electrical failures on your own. Consult a qualified electrician if uncertain of the electrical installation of this fan.**
- 9** Insert the fan wires and ceiling wires into the wire connectors. Test the connection by lightly tugging on the wires.

	AC Hot/L1 Brown	AC Neutral/L2 Blue	PE/Earth Ground (connected to fan chassis) Green with Yellow Tracer
Australia	Brown or Red	Black or Light Blue	Green with Yellow Tracer
All other regions	Brown	Blue	

HANG FAN

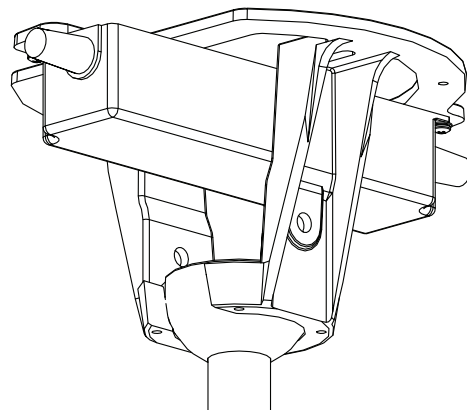


CONNECT WIRING HARNESS



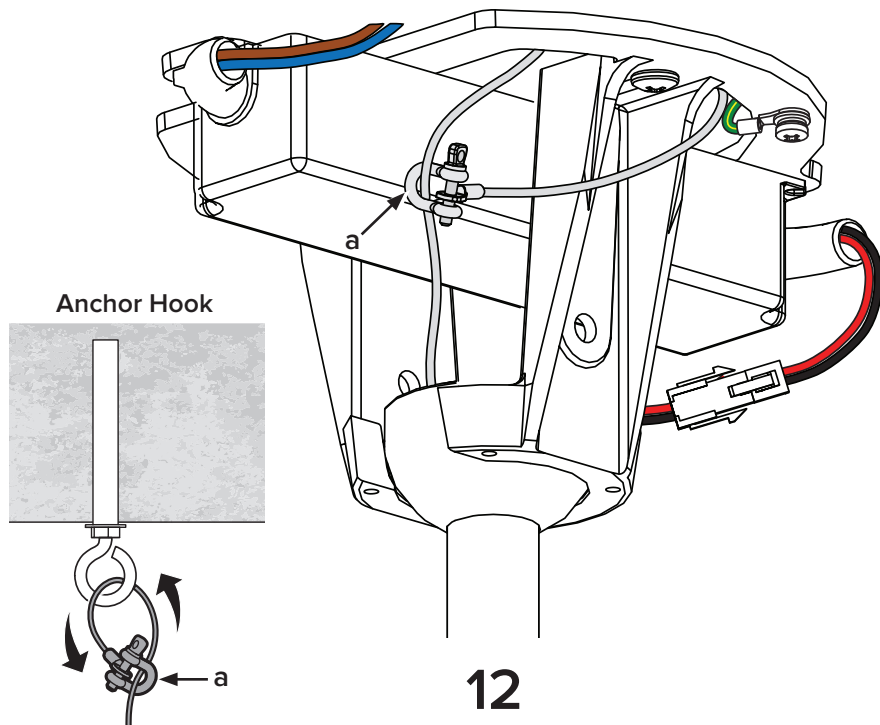
- 10** Raise the fan to the mounting bracket. Align the rib in the mounting bracket (*a*) with the slot in the mounting ball (*b*), position the mounting ball, and let the fan hang freely. Gently twist the extension tube to ensure it is properly seated and will not move during fan operation.

- 11** Connect the wiring harnesses. Secure the green ground wire from the extension tube to the supply ground wire and the green ground wire on the mounting bracket.

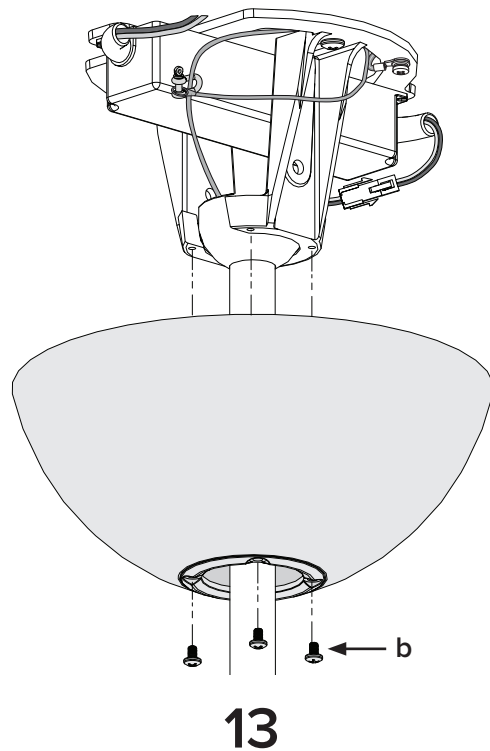


STEPS COMPLETED

SECURE SAFETY CABLE



INSTALL CANOPY

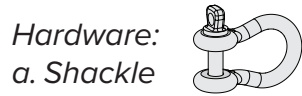


12 Wood Ceiling Joist

Loop the safety cable around the mounting bracket or building structure, and then secure it with the shackle.

Concrete Ceiling

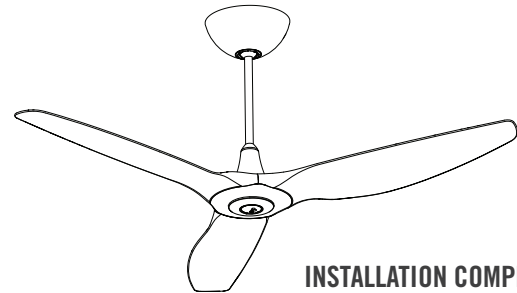
Secure the safety cable to an anchor hook that is properly installed in the concrete ceiling.



13 Raise the canopy to the mounting bracket, lining up the four holes on the canopy with the holes on the bracket. Secure the canopy to the mounting bracket with the painted screws. Make sure no wires or the safety cable are showing.

Hardware:

b. M4 x 6 mm painted screws



6

TEST YOUR FAN

Do not expose the remote control to rain or water.

Before using the remote control, remove the plastic tab from the battery tray. Turn on power to the fan location and test functionality using the remote. Turn on the fan and test speed and light brightness.



Turns fan on or off.



Turns light on or off.



Increases fan speed/light brightness.



Decreases fan speed/light brightness.



Sets fan timer length of up to eight hours. Each press extends timer by one hour.



Clears active fan timer.



Varies fan speed to simulate a natural breeze.



Automatically adjusts your fan speed overnight to keep you comfortable while you sleep.

Big Ass Fans Mobile App



Download the Big Ass Fans mobile app to group multiple fans, adjust their settings, and set your comfort preferences for hands-free control.

For smart device integration instructions, visit www.bigassfans.com/support



FRANÇAIS

Manuel d'installation

Pour obtenir les informations relatives au fonctionnement, à la maintenance et au dépannage, rendez-vous sur bigassfans.com/support

Modèles : K3127-S0, K3127-X2, K3150-A2, K3150-S0, K3150-X2

<i>Sommaire</i>	<i>Page</i>
Caractéristiques techniques	3
Outils nécessaires	3
Composants et visserie	
Fixation courte	4
Fixation standard	5
Fixation universelle	6
Préparation du site de montage	7
Installation du ventilateur	
Pales	8
Cache inférieur et enjoliveur	10
Support de fixation	12
Fixation courte	20
Fixation standard	28
Fixation universelle	40
Essai du ventilateur	52

À LIRE ET CONSERVER EN LIEU SÛR

NOTES

- ⚠ **Coupez l'alimentation du circuit du ventilateur ! N'utilisez pas de variateur d'intensité avec ce ventilateur !**
- ⚠ **Les normes de sécurité électrique en vigueur peuvent exiger que l'installation du ventilateur soit effectuée par un électricien agréé.**
- ⚠ **Le fil de terre doit être relié à la terre de l'alimentation et il doit être plus long que l'élingue de sécurité !**

Caractéristiques techniques

Diamètre	Poids	Tension de fonctionnement	Fréquence de fonctionnement
132 cm	≤ 6,4 kg	100–240 V CA, 1 Φ	50–60 Hz
152 cm	≤ 7,3 kg	100–240 V CA, 1 Φ	50–60 Hz

Outils nécessaires

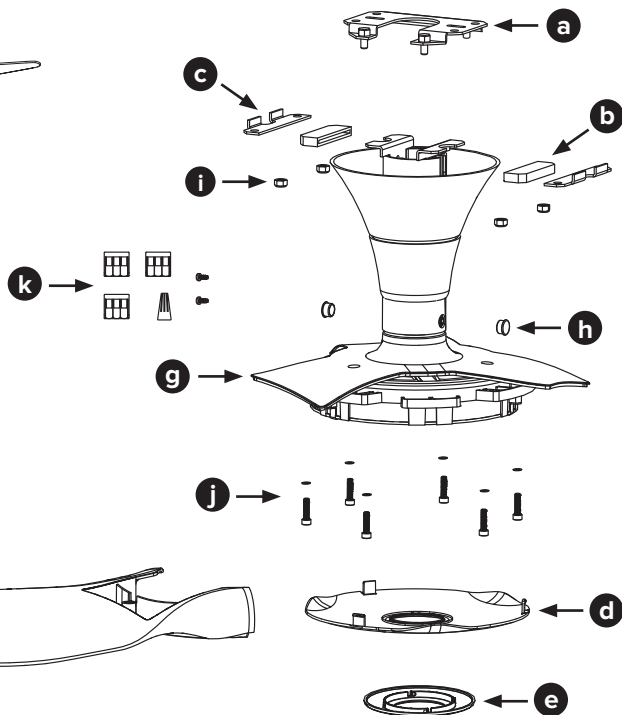
- Échelle
- Pince à dénuder
- Tournevis cruciforme Phillips
- Clés

Contenu de l'emballage

En déballant le ventilateur, vérifiez la présence de tous les composants nécessaires à son montage et à son utilisation. Si vous avez commandé plusieurs ventilateurs, veillez à ne pas mélanger les composants des différents ventilateurs !

COMPOSANTS ET VISSERIE : FIXATION COURTE

- a** Plaque de fixation
- b** Bloc en caoutchouc (2)
- c** Support de fixation (2)
- d** Cache inférieur
- e** Enjoliveur pour cache inférieur
- f** Pale (3)
- g** Moyeu
- h** Cache-vis pour tige de prolongation (2)[†]
- i** Accessoires de fixation
 - Écrou à bague nylon 6 mm (4)
 - Manille pour élingue de sécurité^{**}
- j** Visserie pour pales
 - Vis M5 (6)
 - Rondelle Grower 5 mm (6)
- k** Accessoires de câblage
 - Borniers
 - Capuchon de connexion
 - Vis pour couvre-fils (2)

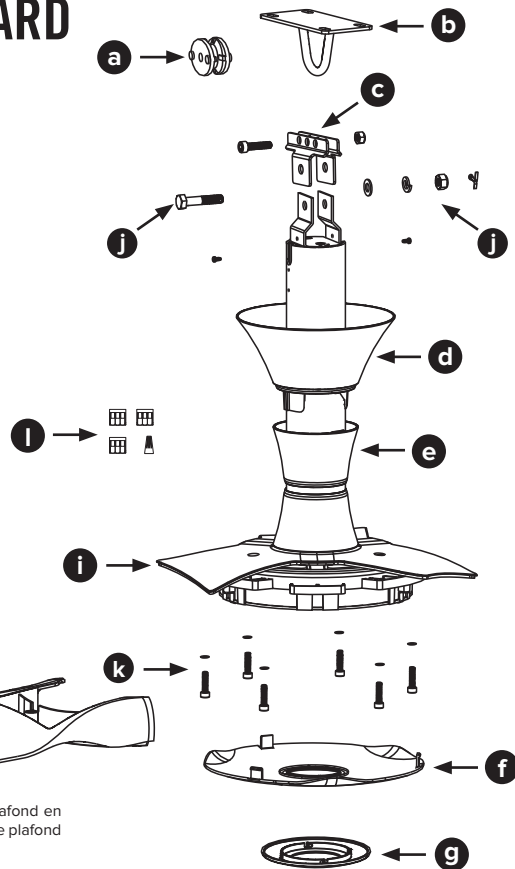
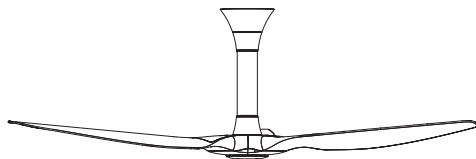


[†] Utilisez les deux cache-vis de la couleur du ventilateur.

^{**} Élingue de sécurité non représentée.

COMPOSANTS ET VISSERIE : FIXATION STANDARD

- a** Œillet en caoutchouc
- b** Support de fixation
- c** Support d'entretoise (2)
- d** Couvre-fils
- e** Enjoliveur pour couvre-fils
- f** Cache inférieur
- g** Enjoliveur pour cache inférieur
- h** Pale (3)
- i** Moyeu
- j** Accessoires de fixation
 - Vis d'assemblage à six pans creux M6 × 1 × 25 mm (2)*
 - Écrou à bague nylon M6 × 1 (2)*
 - Vis M8
 - Rondelle plate 8 mm
 - Rondelle Grower 8 mm
 - Écrou M8
 - Goupille fendue 2 mm × 2 mm
 - Manille pour élingue de sécurité**
- k** Visserie pour pales
 - Vis M5 (6)
 - Rondelle Grower 5 mm (6)
- l** Accessoires de câblage
 - Borniers
 - Capuchon de connexion
 - Vis pour couvre-fils (2)

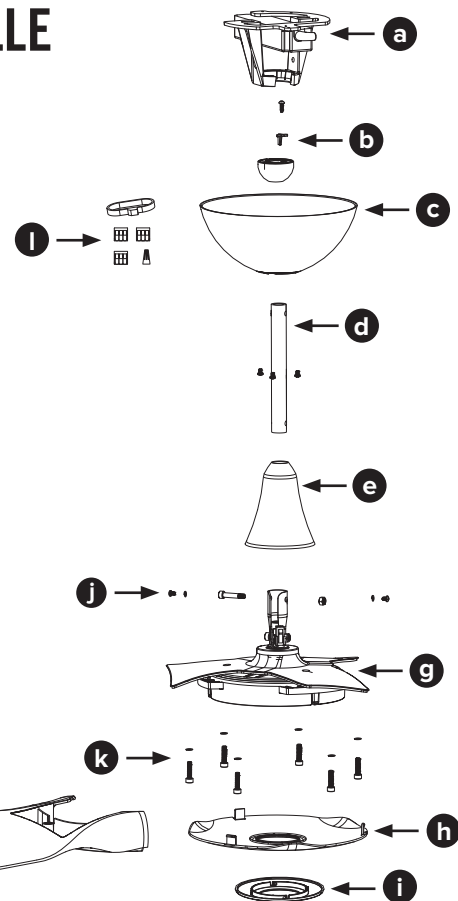
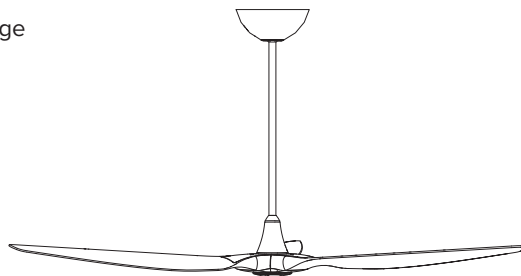


* Si le ventilateur est fixé à un crochet de plafond en U ou à une solive de plafond en bois, une (1) vis et un (1) écrou suffisent. Si le ventilateur est fixé à un crochet de plafond en J, deux (2) vis et deux (2) écrous sont nécessaires.

** Élingue de sécurité non représentée.

COMPOSANTS ET VISSERIE : FIXATION UNIVERSELLE

- a** Support de fixation
- b** Boule de fixation et cale de montage
- c** Monture
- d** Tige de prolongation
- e** Couvre-fils
- f** Pale (3)
- g** Moyeu
- h** Cache inférieur
- i** Enjoliveur pour cache inférieur
- j** Accessoires de fixation
 - Vis autotaraudeuse 4 mm
 - Goupille en acier 6 mm
 - Vis M4 × 10 (6)
 - Rondelle Grower M4 (2)
 - Manille pour élingue de sécurité*
 - Vis M6 × 32 mm
 - Écrou M6
- k** Visserie pour pales
 - Vis M5 (6)
 - Rondelle Grower 5 mm (6)
- l** Accessoires de câblage
 - Borniers
 - Capuchon de connexion
 - Serre-câble



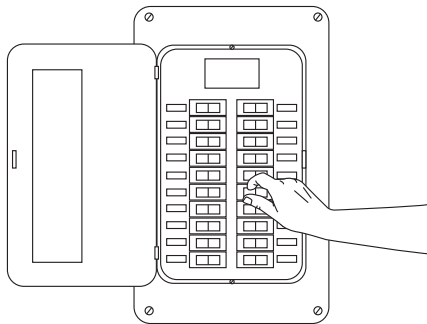
* Élingue de sécurité non représentée.

1 PRÉPARATION DU SITE DE MONTAGE



L'installation de ce ventilateur nécessite des connaissances élémentaires en électricité. Contactez un électricien agréé si vous ne vous sentez pas capable d'intervenir sur des circuits électriques !

1 Coupez l'alimentation électrique !



Coupez l'alimentation du ventilateur avant de procéder au câblage !



Un sectionneur facilement accessible doit être prévu à l'extérieur de l'appareil.

2 Structure d'ancrage*

Si vous souhaitez fixer le ventilateur directement à la structure du bâtiment, la structure doit être *conçue pour supporter un ventilateur*.

*Le moyen de fixation utilisé pour accrocher le ventilateur au plafond (crochets ou autre) doit être suffisamment solide pour supporter quatre fois le poids du ventilateur.

* Malaisie : Le moyen de fixation utilisé pour accrocher le ventilateur au plafond (crochets ou autre) doit être suffisamment solide pour supporter dix fois le poids du ventilateur.

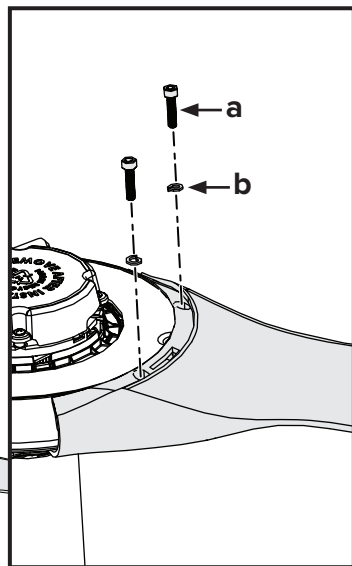
2

MONTAGE DES PALES



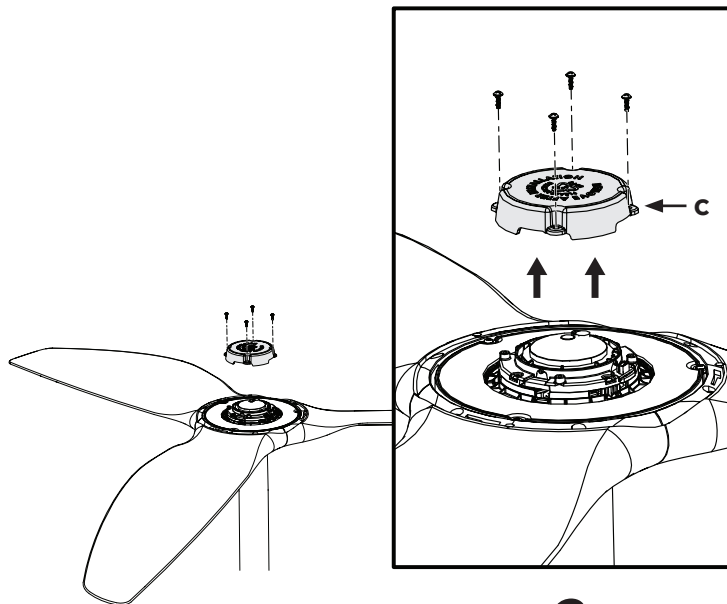
Veillez à faire correspondre les pastilles collées sur les pales avec celles collées sur le moyeu du ventilateur !

MONTEZ LES PALES



1

ÔTEZ LE CACHE DE PROTECTION



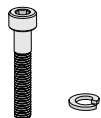
2

- 1 En travaillant dans le sens des aiguilles d'une montre autour du ventilateur, alignez chaque pale sur le moyeu du ventilateur, puis fixez-les à l'aide des vis et des rondelles. **Veillez à faire correspondre les pastilles collées sur les pales avec celles collées sur le moyeu du ventilateur.**

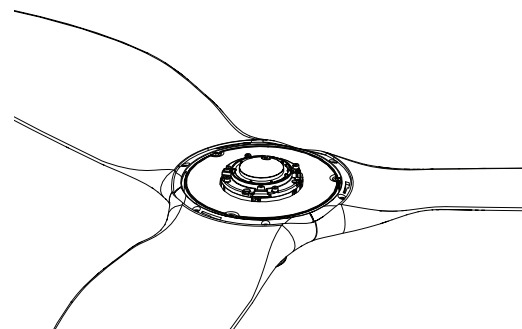
Visserie :

a. Vis M5 pour pale

b. Rondelle Grower 5 mm



- 2 Ôtez le cache de protection en plastique (c) et recyclez-le.



ÉTAPES TERMINÉES

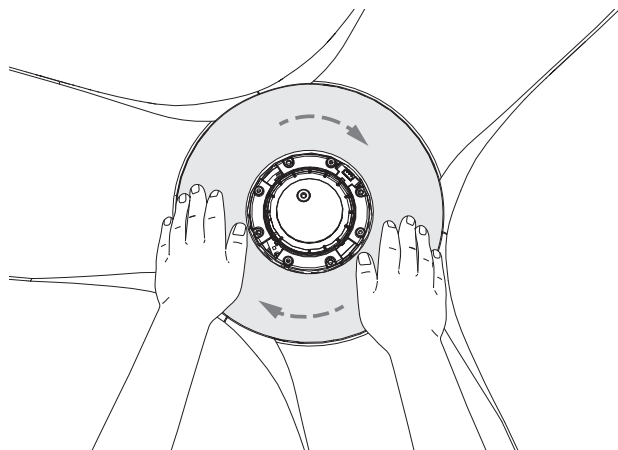
3

MISE EN PLACE DU CACHE INFÉRIEUR ET DE L'ENJOLIVEUR



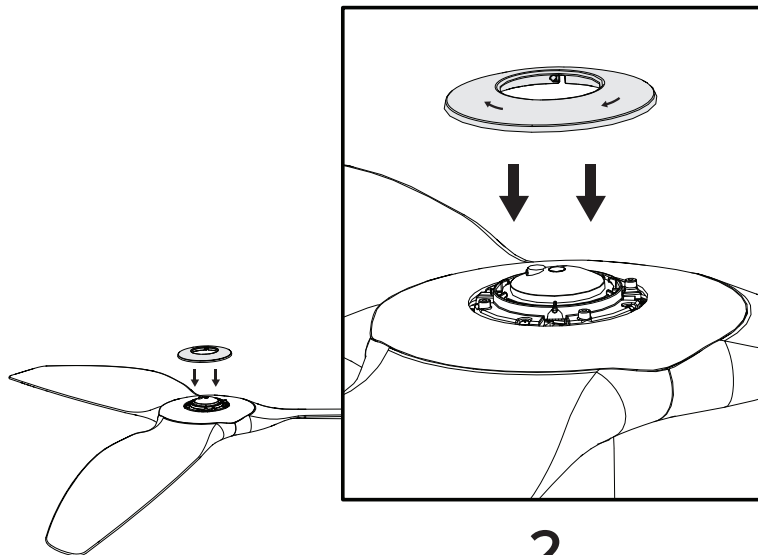
Si vous avez acheté le Kit D'éclairage Haiku, installez-le maintenant en suivant les instructions fournies avec le kit. Revenez à ce chapitre du manuel une fois le kit installé.

METTEZ LE CACHE INFÉRIEUR EN PLACE



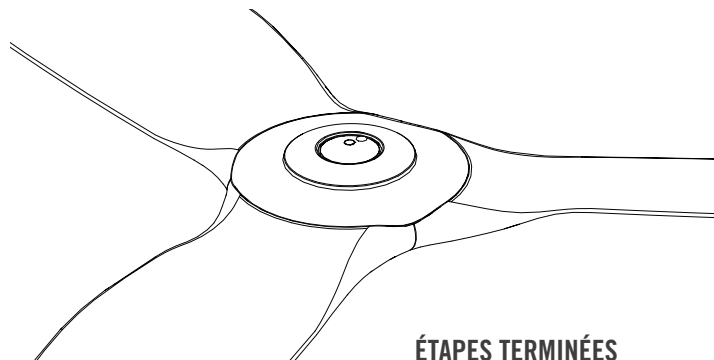
1

METTEZ L'ENJOLIVEUR DU CACHE INFÉRIEUR EN PLACE



2

- 1 Positionnez-le sur le moteur du ventilateur, posez vos deux mains à plat sur le cache et faites-le pivoter dans le sens des aiguilles d'une montre pour l'enclencher.
- 2 Alignez les quatre fentes de l'enjoliveur du cache inférieur sur les quatre petits ergots du moyeu du ventilateur. Appuyez sur l'enjoliveur du cache inférieur et faites-le pivoter dans le sens des aiguilles d'une montre pour l'enclencher.



ÉTAPES TERMINÉES

MISE EN PLACE DU SUPPORT DE FIXATION

Plafond en béton

Si vous installez votre ventilateur sur un plafond en béton, assurez-vous qu'un câble d'alimentation a été tiré jusqu'au site de montage.

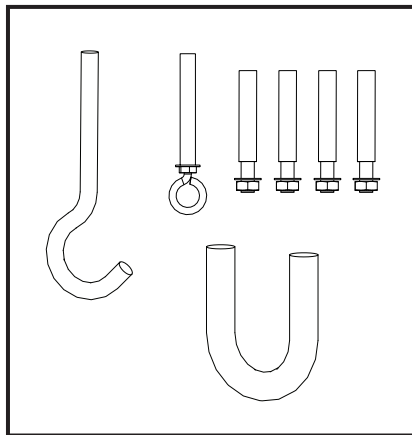
Fixation courte. Fixez directement la plaque de fixation au plafond au moyen de quatre boulons d'ancrage de $\varnothing 8$ mm. Si les normes de sécurité et de construction en vigueur l'exigent, installez un crochet d'ancrage de $\varnothing 8$ mm pour l'élingue de sécurité.

Fixation standard. Installez le ventilateur à l'emplacement d'un crochet de plafond ou de tout autre élément structurel approprié. En l'absence de crochet au niveau du site de montage, fixez le support de fixation au moyen de quatre boulons d'ancrage de $\varnothing 8$ mm. Si les normes de sécurité et de construction en vigueur l'exigent, installez un crochet d'ancrage de $\varnothing 8$ mm pour l'élingue de sécurité.

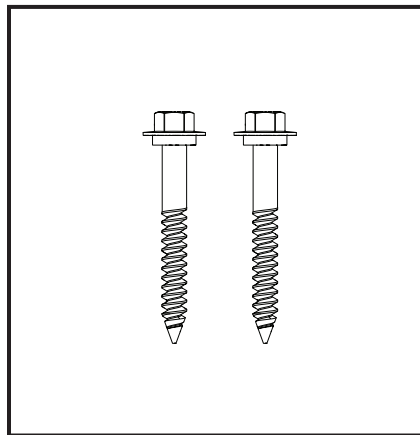
Fixation universelle. Fixez directement le support de fixation au plafond au moyen de trois boulons d'ancrage de $\varnothing 8$ mm. Si les normes de sécurité et de construction en vigueur l'exigent, installez un crochet d'ancrage de $\varnothing 8$ mm pour l'élingue de sécurité.

Solive de plafond en bois

Si vous installez votre ventilateur sur une solive de plafond en bois, assurez-vous qu'un câble d'alimentation a été tiré jusqu'au site de montage. Fixez directement la plaque ou le support de fixation à la solive au moyen de vis à bois (non fournies). Big Ass Fans recommande l'utilisation de vis à bois à tête hexagonale de 12-11 x 45 mm résistantes à la corrosion, freinées.



4a Plafond en béton
Page 14



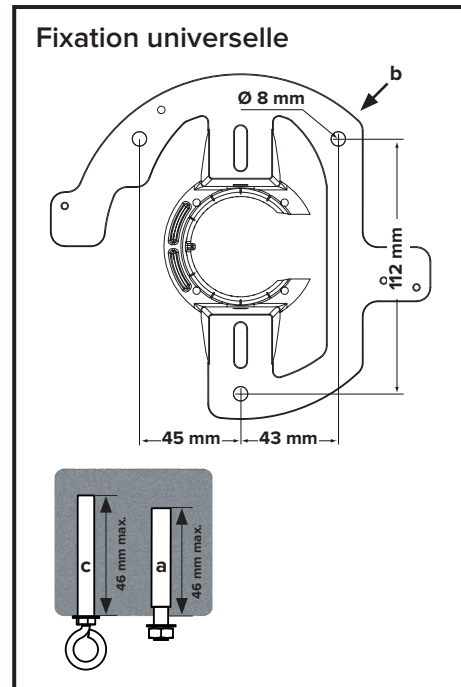
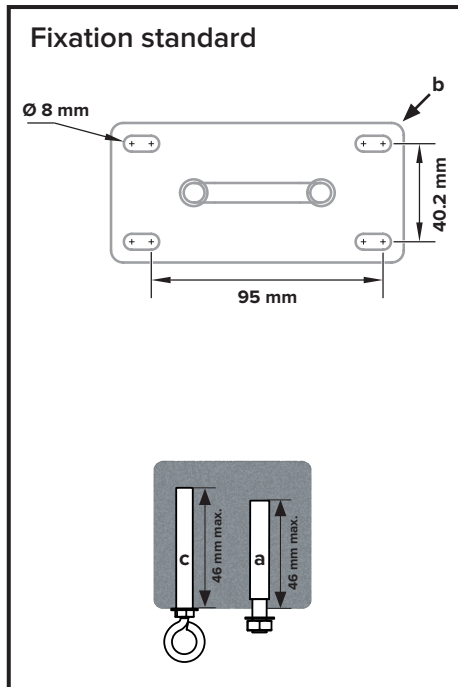
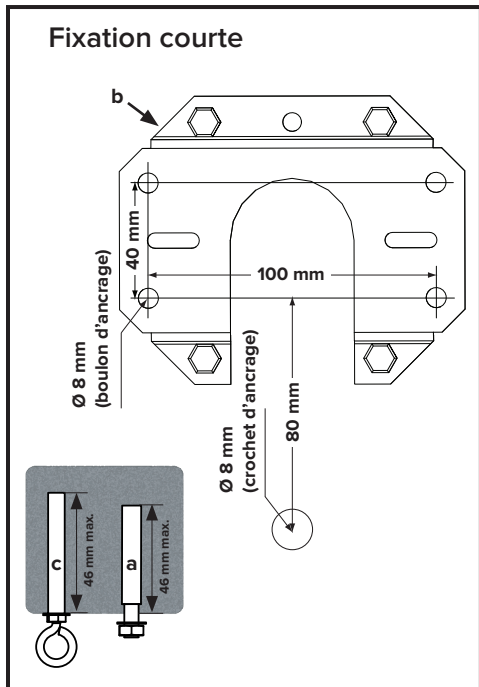
4b Solive de plafond en bois
Page 16

4a

MISE EN PLACE DU SUPPORT DE FIXATION (PLAFOND EN BÉTON)



Si les normes de sécurité et de construction en vigueur l'exigent, installez un crochet d'ancrage pour l'élingue de sécurité.



⚠ Vérifiez que l'alimentation du ventilateur est coupée avant de monter la plaque ou le support de fixation !

Fixation courte

Percez quatre trous de Ø 8 mm tel qu'illustré ci-contre. La profondeur des trous ne doit pas excéder 46 mm. Époussetez les trous. Insérez quatre boulons d'ancrage (a) dans les trous. À l'aide d'un marteau, frappez la tête des boulons d'ancrage de sorte que la cheville affleure à la surface du plafond. Positionnez la plaque de fixation (b) sur les boulons d'ancrage. Assurez-vous que les quatre boulons d'ancrage sont serrés à fond pour expander et verrouiller les systèmes d'ancrage. Si les normes de sécurité et de construction en vigueur l'exigent, installez un crochet d'ancrage (c) pour l'élingue de sécurité. Percez un trou de Ø 8 mm pour le crochet d'ancrage, tel qu'illustré ci-contre. La profondeur du trou ne doit pas excéder 46 mm. Époussetez le trou, insérez le crochet d'ancrage et serrez à fond.

Fixation standard

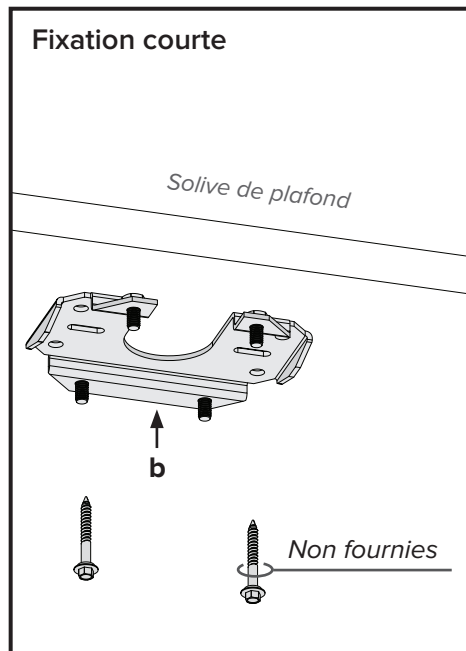
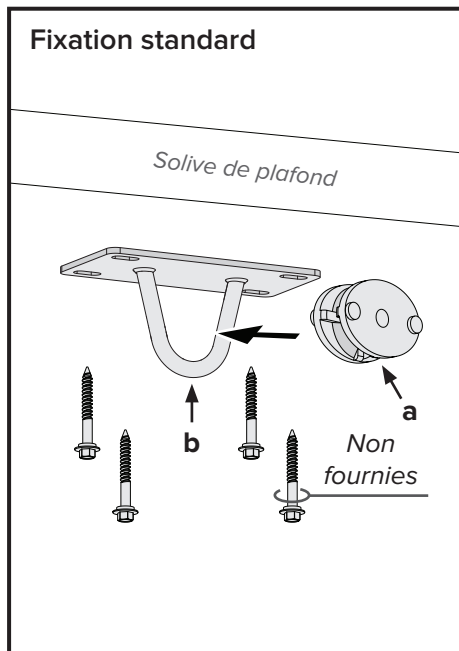
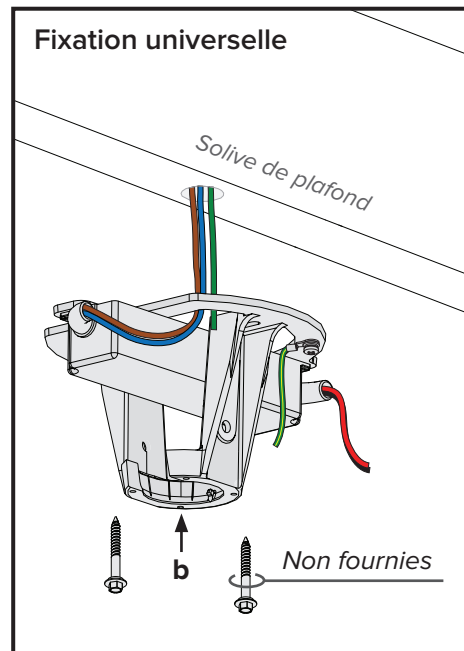
Percez quatre trous de Ø 8 mm tel qu'illustré ci-contre. La profondeur des trous ne doit pas excéder 46 mm. Époussetez les trous. Insérez quatre boulons d'ancrage (a) dans les trous. À l'aide d'un marteau, frappez la tête des boulons d'ancrage de sorte que la cheville affleure à la surface du plafond. Positionnez la plaque de suspension (b) sur les boulons d'ancrage. Assurez-vous que les quatre boulons d'ancrage sont serrés à fond pour expander et verrouiller les systèmes d'ancrage. Si les normes de sécurité et de construction en vigueur l'exigent, installez un crochet d'ancrage (c) pour l'élingue de sécurité. Percez un trou de Ø 8 mm pour le crochet d'ancrage à côté de la plaque de suspension. La profondeur du trou ne doit pas excéder 46 mm. Époussetez le trou, insérez le crochet d'ancrage et serrez à fond.

Fixation universelle

Percez trois trous de Ø 8 mm tel qu'illustré ci-contre. La profondeur des trous ne doit pas excéder 46 mm. Époussetez les trous. Insérez trois boulons d'ancrage (a) dans les trous. À l'aide d'un marteau, frappez la tête des boulons d'ancrage de sorte que la cheville affleure à la surface du plafond. Positionnez le support de fixation (b) sur les boulons d'ancrage. Assurez-vous que les trois boulons d'ancrage sont serrés à fond pour expander et verrouiller les systèmes d'ancrage. Si les normes de sécurité et de construction en vigueur l'exigent, installez un crochet d'ancrage (c) pour l'élingue de sécurité. Percez un trou de Ø 8 mm pour le crochet d'ancrage. La profondeur du trou ne doit pas excéder 46 mm. Époussetez le trou, insérez le crochet d'ancrage et serrez à fond.

4b

MISE EN PLACE DU SUPPORT DE FIXATION (SOLIVE DE PLAFOND EN BOIS)

Fixation courte**Fixation standard****Fixation universelle**

⚠ Vérifiez que l'alimentation du ventilateur est coupée avant de monter la plaque ou le support de fixation !

Si vous installez un ventilateur à fixation standard, glissez l'œillet en caoutchouc (a) dans l'anneau du support de fixation.

Fixez la plaque ou le support de fixation (b) à la solive au moyen de vis à bois à tête hexagonale de 12-11 × 45 mm freinées (non fournies).

Si vous installez un ventilateur à fixation universelle sur une solive de plafond incliné, montez le support de fixation en orientant le côté ouvert du support vers le haut de la pente.

FIXATION DU VENTILATEUR

Fixation courte

La fixation courte convient aux plafonds non inclinés aussi bas que 2,4 m (8 pi).

Fixation standard

La fixation standard permet d'obtenir des performances de ventilation optimales sur les plafonds non inclinés ayant une hauteur comprise entre 2,5 m (8,5 pi) et 3,4 m (11 pi).

Fixation universelle

La fixation universelle convient aux plafonds inclinés ou plats ayant une hauteur comprise entre 3,2 m (10,5 pi) et 4,3+ m (14+ pi).

5a

Fixation courte

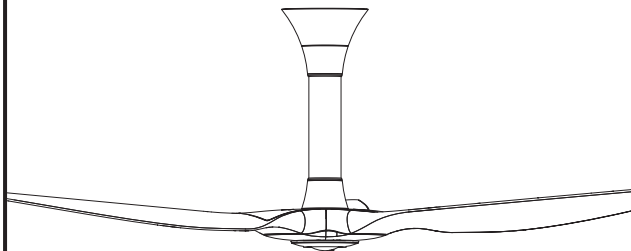
Page 20



5b

Fixation standard

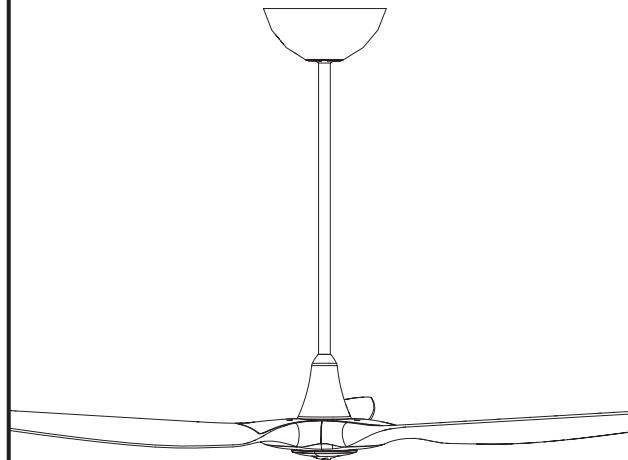
Page 28



5c

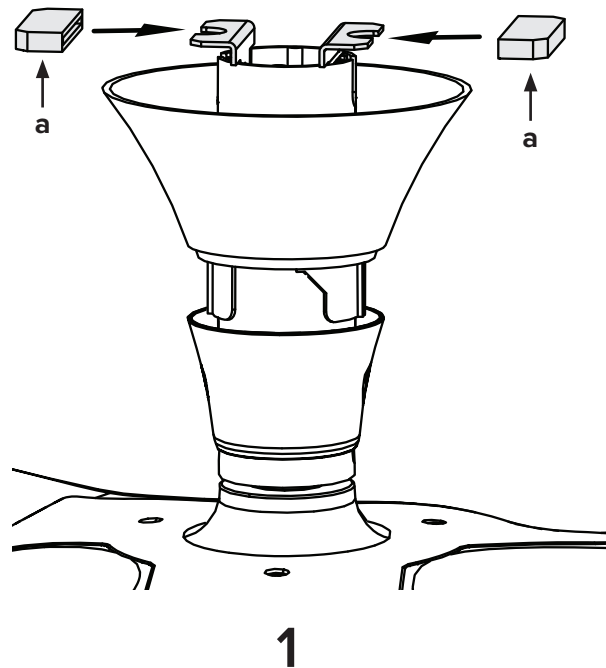
Fixation universelle

Page 40

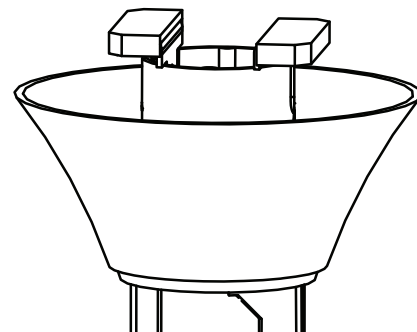


5a FIXATION COURTE

INSTALLEZ LES BLOCS EN CAOUTCHOUC

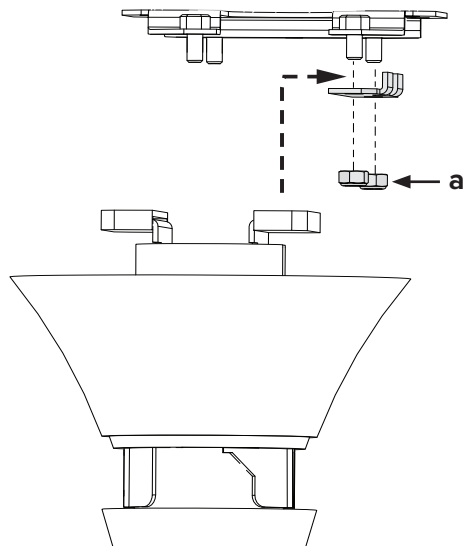


1 Enfilez les blocs en caoutchouc (a) sur les supports de la tige de prolongation.

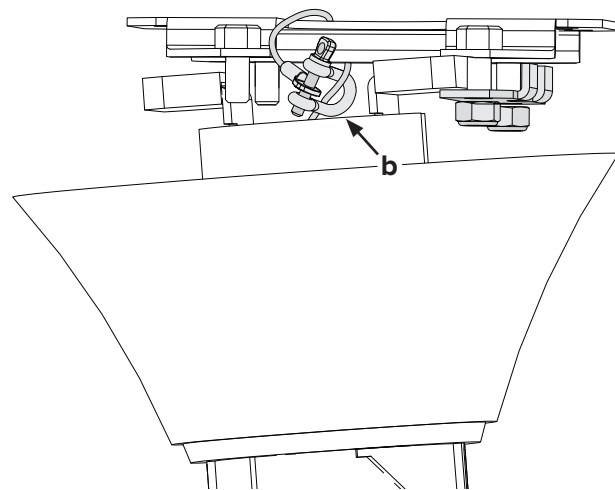


ÉTAPE TERMINÉE

ACCROCHEZ LE VENTILATEUR



METTEZ L'ÉLINGUE DE SÉCURITÉ EN PLACE



- 2** Montez l'un des supports de fixation sur la plaque de fixation sans serrer les boulons à bague nylon à fond. Soulevez le ventilateur pour l'amener jusqu'au support de fixation et glissez provisoirement un bloc en caoutchouc dans l'espace situé entre le support et la plaque. Cela permet de soutenir le ventilateur pendant la mise en place de l'élingue de sécurité.

Visserie :

a. Écrous à bague nylon 6 mm



3 Solive de plafond en bois

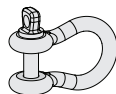
Tout en soutenant le ventilateur, passez l'élingue de sécurité autour de la plaque de fixation ou de l'élément structurel, puis attachez-la à l'aide de la manille (b). Laissez le ventilateur pendre librement, suspendu à l'élingue de sécurité.

Plafond en béton

Fixez l'élingue de sécurité à un crochet d'ancrage correctement installé dans le plafond en béton. Laissez le ventilateur pendre librement, suspendu à l'élingue de sécurité.

Accessoire :

b. Manille



Crochet d'ancrage

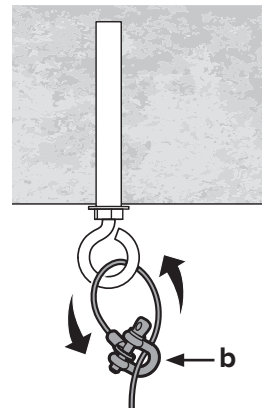
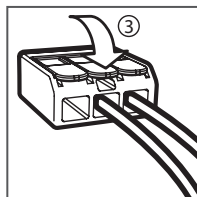
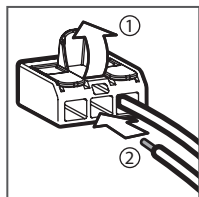
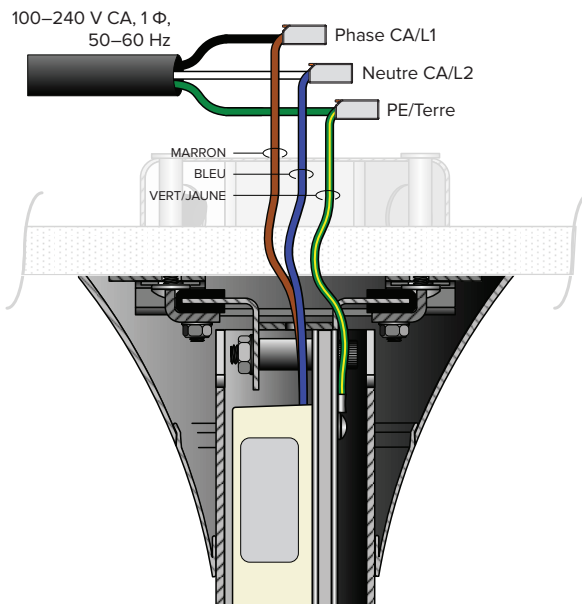


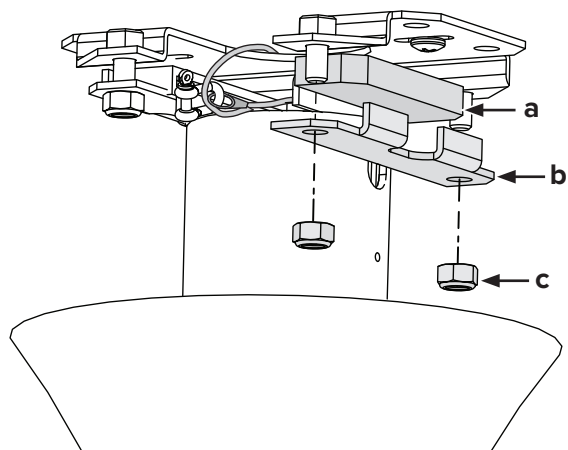
Schéma électrique



- ⚠ **Coupez l'alimentation du ventilateur avant de procéder au câblage !**
 - ⚠ **Les normes de sécurité électrique en vigueur peuvent exiger que l'installation du ventilateur soit effectuée par un électricien agréé.**
 - ⚠ **Ne branchez jamais le ventilateur à une source de courant endommagée ! N'essayez pas de réparer une panne électrique seul. Contactez un électricien qualifié si vous avez le moindre doute concernant le raccordement électrique de ce ventilateur.**
- 4** Tout en laissant le ventilateur suspendu à l'élingue de sécurité, introduisez les fils du ventilateur et les fils du plafond dans les borniers. Testez les connexions en tirant légèrement sur les fils.

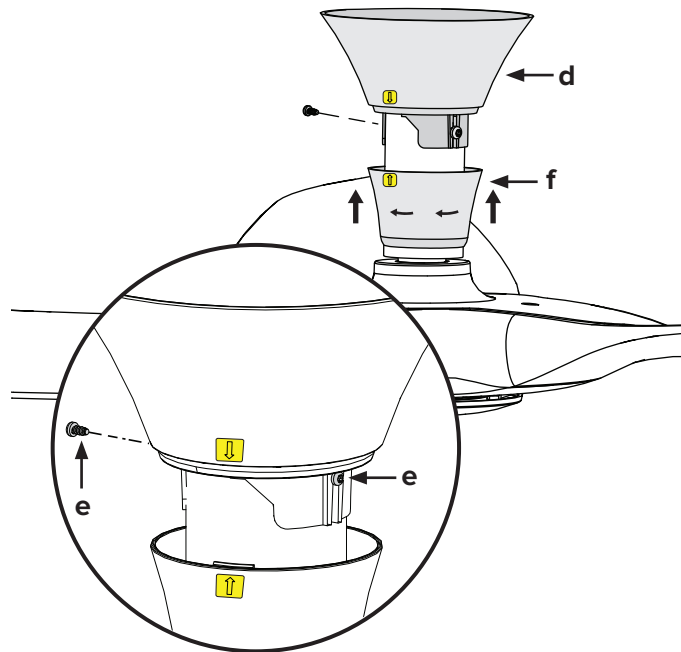
	Phase CA/L1 Marron	Neutre CA/L2 Bleu	PE/Terre (relié au châssis du ventilateur) Rayé vert et jaune
Australie	Marron ou rouge	Noir ou bleu clair	Rayé vert et jaune
Autres régions	Marron	Bleu	

MONTEZ LES SUPPORTS DE FIXATION



5

INSTALLEZ LE COUVRE-FILS ET SON ENJOLIVEUR



6

- 5** Soulevez le ventilateur jusqu'à son point de fixation. Glissez l'un des blocs en caoutchouc entre la plaque de fixation et le support de fixation préalablement monté (avec les boulons non serrés à fond). Positionnez l'autre bloc en caoutchouc (*a*), puis fixez-le à l'aide de l'autre support de fixation (*b*) et des écrous. Serrez toute la visserie à fond.

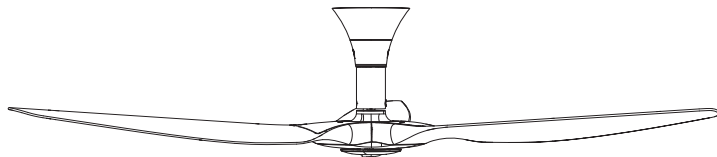
Visserie :

c. Écrous à bague nylon 6 mm



- 6** Faites remonter le couvre-fils (*d*) le long de la tige de prolongation en laissant un espace d'environ 3 mm (1/8 po) entre le couvre-fils et le plafond. Faites pivoter le couvre-fils de façon à aligner ses fentes de fixation sur les trous de vis de la tige de prolongation, puis fixez-le à l'aide des vis (*e*).

Faites remonter l'enjoliveur (*f*) le long de la tige de prolongation en alignant les ergots intérieurs sur les fentes de la partie inférieure du couvre-fils. Enclenchez l'enjoliveur en le faisant pivoter dans le sens des aiguilles d'une montre.

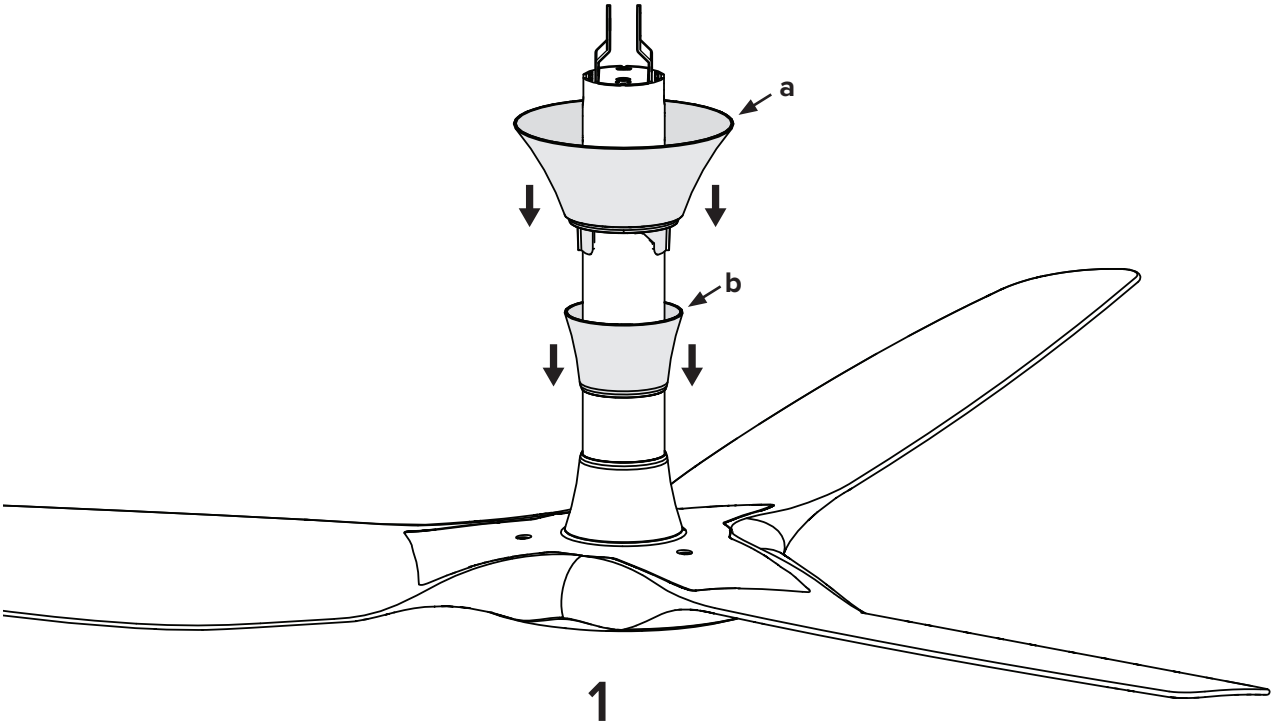


INSTALLATION TERMINÉE

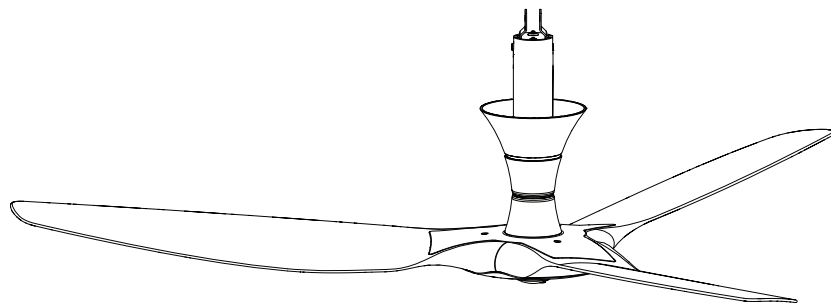
5b

FIXATION STANDARD

METTEZ LE COUVRE-FILS ET SON ENJOLIVEUR EN PLACE



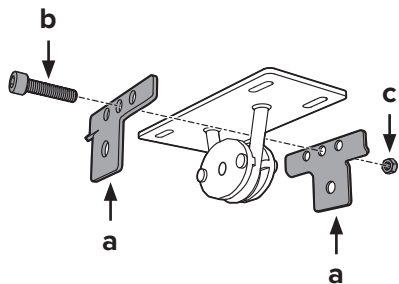
- 1 Mettez le ventilateur en position verticale, puis retirez le film de protection de la tige de prolongation. Faites coulisser le couvre-fils (a) et son enjoliveur (b) le long de la tige de prolongation et laissez-les en appui sur le moyeu du ventilateur.



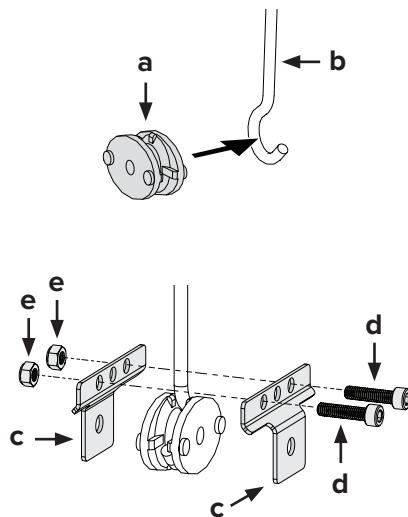
ÉTAPE TERMINÉE

FIXEZ LES SUPPORTS D'ENTRETOISE

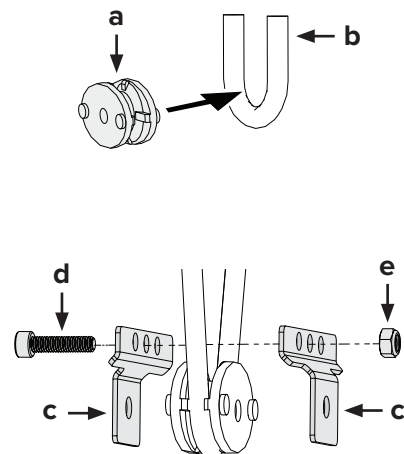
Solive en bois



Crochet de plafond en J



Crochet de plafond en U



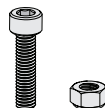
2 Solive de plafond en bois

Fixez les supports d'entretoise (a) à l'aide de la visserie fournie sans serrer à fond. Une vis doit être introduite dans le trou du milieu. Ne serrez pas la visserie à fond.

Visserie :

b. Vis d'assemblage à six pans creux M6 × 1 × 25 mm

c. Écrou à bague nylon M6 × 1



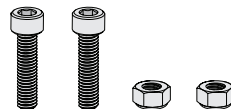
Crochet de plafond en J

Vérifiez que le crochet de plafond est noyé dans le plafond en béton. Glissez l'œillet en caoutchouc (a) dans l'anneau du crochet de plafond (b). Fixez les supports d'entretoise (c) à l'aide de la visserie fournie sans serrer à fond. Deux vis doivent être introduites dans les trous externes. Ne serrez pas la visserie à fond.

Visserie :

d. Vis d'assemblage à six pans creux M6 × 1 × 25 mm

e. Écrous à bague nylon M6 × 1



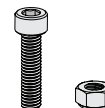
Crochet de plafond en U

Vérifiez que le crochet de plafond est noyé dans le plafond en béton. Glissez l'œillet en caoutchouc (a) dans l'anneau du crochet de plafond (b). Fixez les supports d'entretoise (c) à l'aide de la visserie fournie sans serrer à fond. Une vis doit être introduite dans le trou du milieu. Ne serrez pas la visserie à fond.

Visserie :

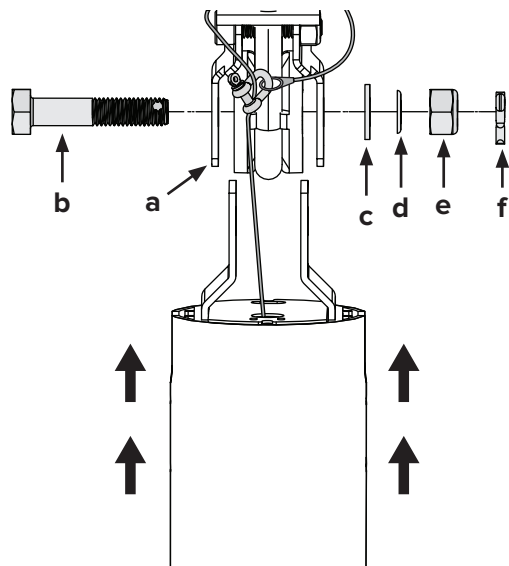
d. Vis d'assemblage à six pans creux M6 × 1 × 25 mm

e. Écrou à bague nylon M6 × 1

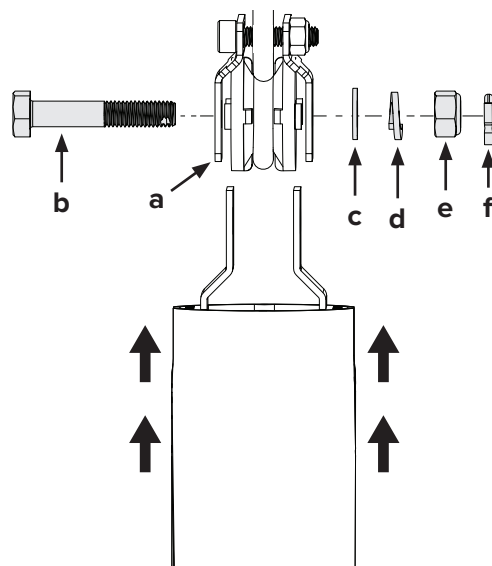


ACCROCHEZ LE VENTILATEUR

Solive en bois



Plafond en béton



3

- 3** Soulevez la tige de prolongation pour l'amener jusqu'au support de fixation, puis insérez les supports de la tige de prolongation entre les supports d'entretoise (a) et l'œillet en caoutchouc en alignant les trous de fixation. Fixez la tige de prolongation à l'aide de la visserie fournie. *Serrez toute la visserie à fond : les supports doivent être légèrement déformés.*

Visserie :

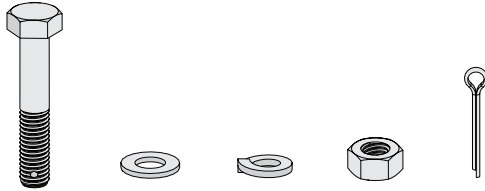
b. Vis M8

c. Rondelle plate 8 mm

d. Rondelle Grower 8 mm

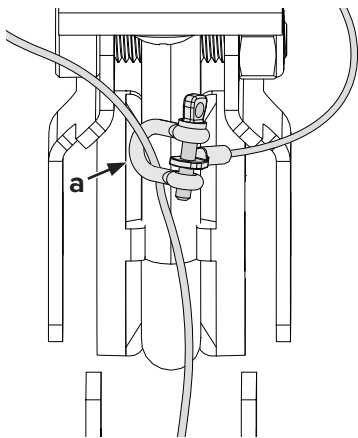
e. Écrou M8

f. Goupille fendue 2 mm × 2 mm

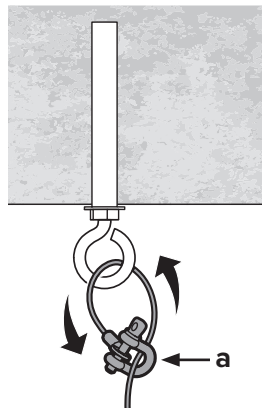


METTEZ L'ÉLINGUE DE SÉCURITÉ EN PLACE

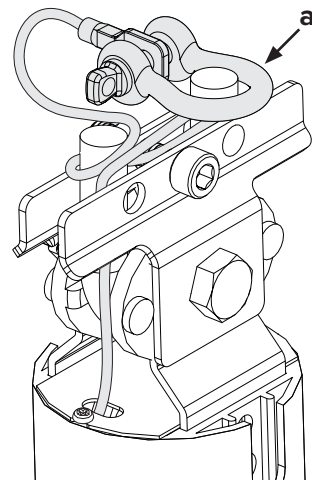
Solive en bois



Crochet de plafond en J ou plaque de suspension



Crochet de plafond en U



4

4 Solive de plafond en bois

Passez l'élingue de sécurité autour du support de fixation ou de l'élément structurel, puis attachez-la à l'aide de la manille (a).

Crochet de plafond en J ou plaque de suspension

Fixez l'élingue de sécurité à un crochet d'ancrage correctement installé dans le plafond en béton. Passez l'élingue de sécurité autour du crochet de plafond, puis dans le crochet d'ancrage et attachez-la à l'aide de la manille (a).

Crochet de plafond en U

Passez l'élingue de sécurité autour du crochet de plafond, puis attachez-la à l'aide de la manille (a).

Accessoire :

a. Manille

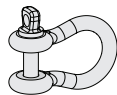
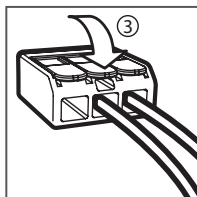
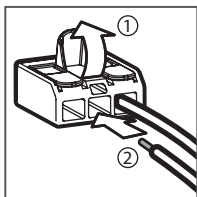
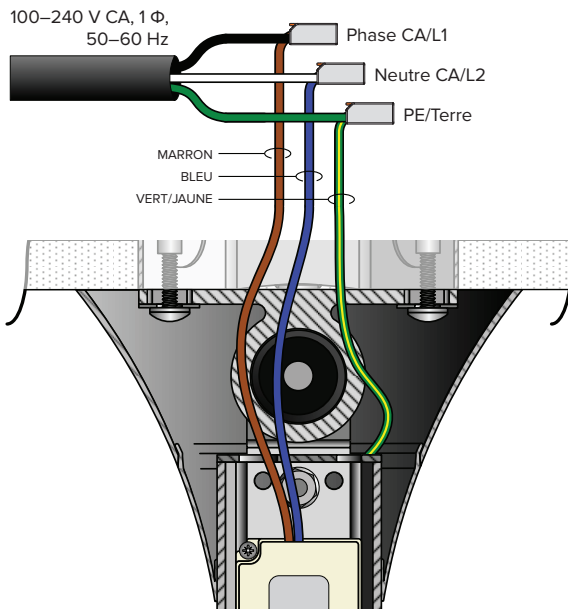


Schéma électrique

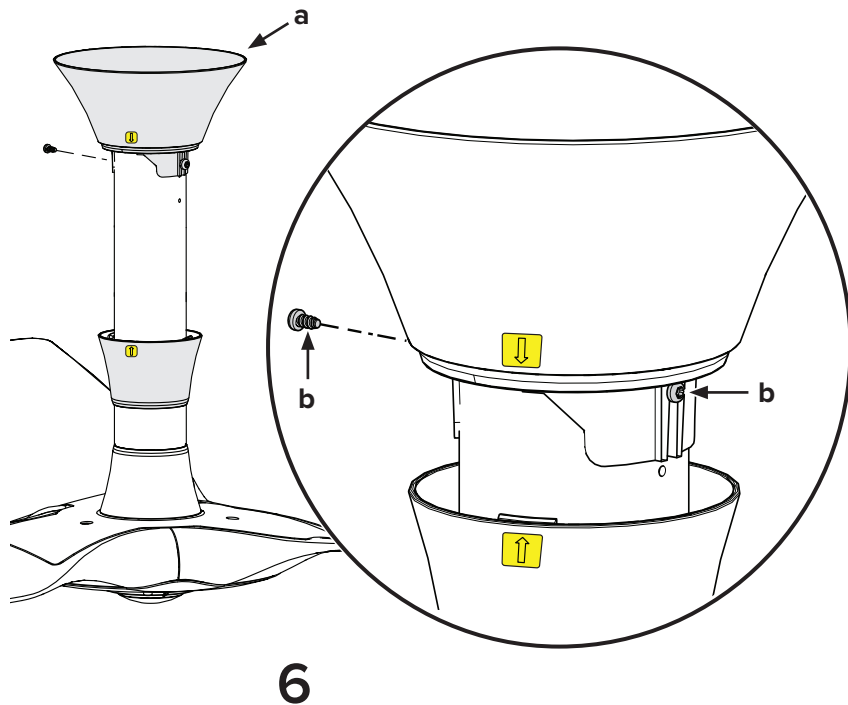


- ⚠ Coupez l'alimentation du ventilateur avant de procéder au câblage !**
- ⚠ Les normes de sécurité électrique en vigueur peuvent exiger que l'installation du ventilateur soit effectuée par un électricien agréé.**
- ⚠ Ne branchez jamais le ventilateur à une source de courant endommagée ! N'essayez pas de réparer une panne électrique seul. Contactez un électricien qualifié si vous avez le moindre doute concernant le raccordement électrique de ce ventilateur.**

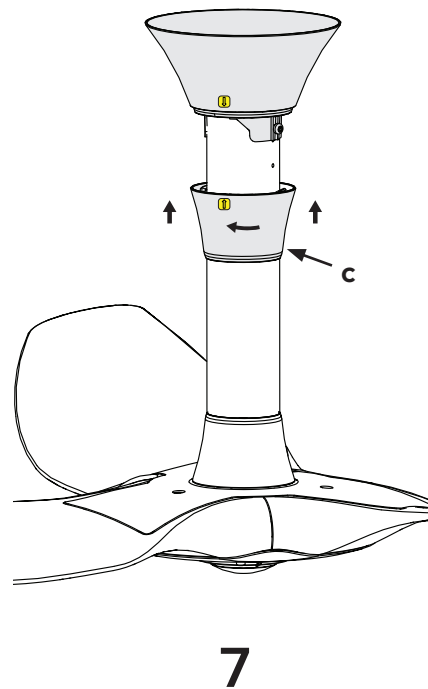
5 Introduisez les fils du ventilateur et les fils du plafond dans les borniers. Testez les connexions en tirant légèrement sur les fils.

	Phase CA/L1 Marron	Neutre CA/L2 Bleu	PE/Terre (relié au châssis du ventilateur) Rayé vert et jaune
Australie	Marron ou rouge	Noir ou bleu clair	Rayé vert et jaune
Autres régions	Marron	Bleu	

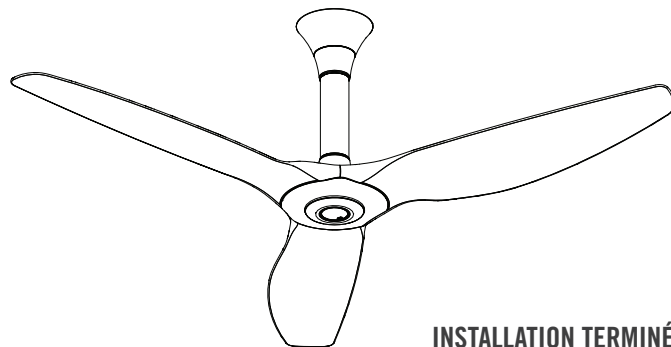
INSTALLEZ LE COUVRE-FILS



INSTALLEZ L'ENJOLIVEUR DU COUVRE-FILS



- 6** Faites remonter le couvre-fils (a) le long de la tige de prolongation en laissant un espace d'environ 3 mm (1/8 po) entre le couvre-fils et le plafond. Faites pivoter le couvre-fils de façon à aligner ses fentes de fixation sur les trous de vis de la tige de prolongation, puis fixez-le à l'aide des vis (e). Vérifiez qu'aucun fil n'est visible. *S'il n'y a pas suffisamment d'espace entre le couvre-fils et le plafond, décalez la vis dans le trou inférieur.*
- 7** Faites remonter l'enjoliveur du couvre-fils (c) le long de la tige de prolongation en alignant les ergots intérieurs sur les fentes de la partie inférieure du couvre-fils. Enclenchez l'enjoliveur en le faisant pivoter dans le sens des aiguilles d'une montre.

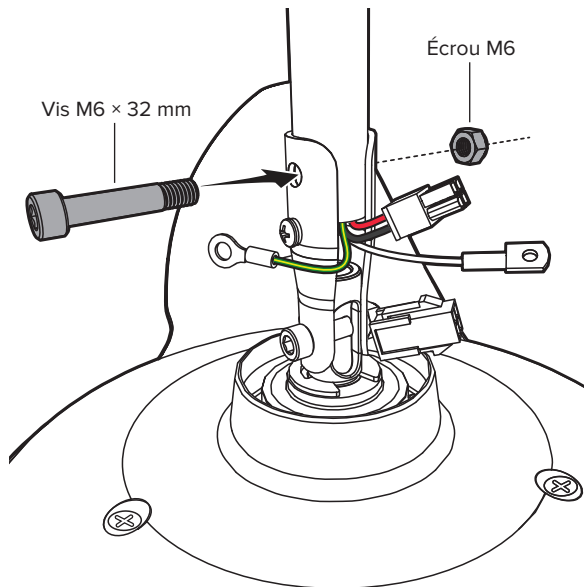


INSTALLATION TERMINÉE

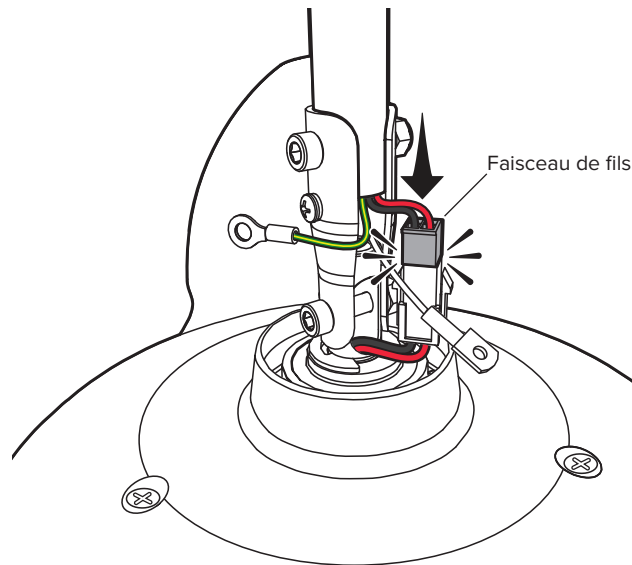
5c

FIXATION UNIVERSELLE

FIXATION DE LA TIGE DE PROLONGATION ET DU FAISCEAU DE FILS



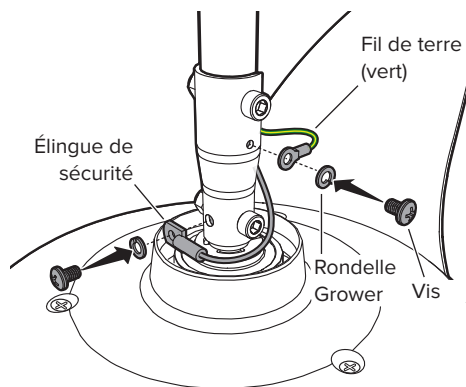
1



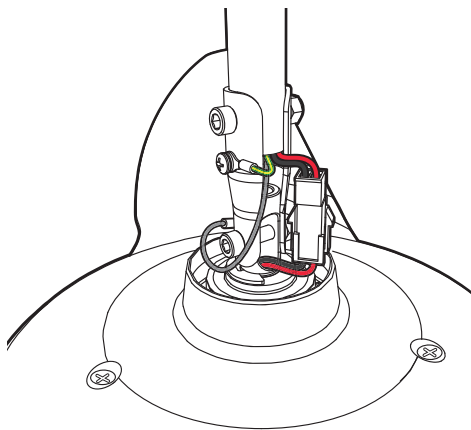
2

- 1 Alignez les trous de la tige de prolongation sur ceux du support moteur, puis fixez la tige de prolongation à l'aide de la vis M6 × 32 mm et de l'écrou M6.
- 2 Branchez le faisceau de fils sortant de la tige de prolongation au connecteur sortant du moyeu.

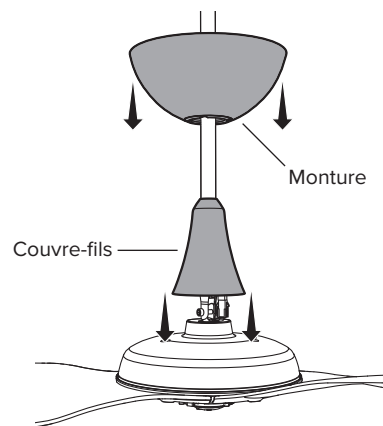
FIXATION DE LA PARTIE INFÉRIEURE DE L'ÉLINGUE DE SÉCURITÉ ET DU FIL DE TERRE



3

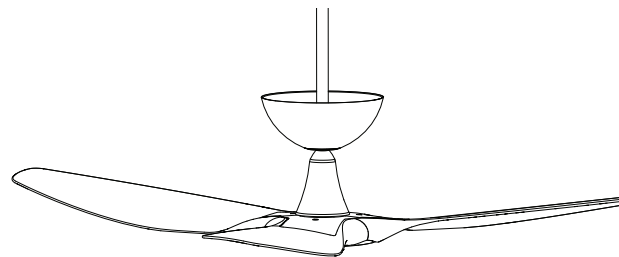


4



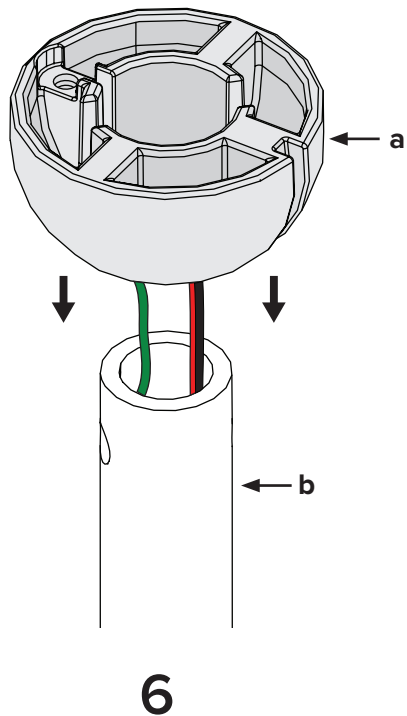
5

- 3 Fixez l'élingue de sécurité et la cosse du fil de terre à l'aide des vis non peintes et des rondelles Grower.
- 4 Vérifiez que la visserie est bien serrée, puis tirez doucement sur les câbles en haut de la tige de prolongation pour éliminer le mou.
- 5 Faites descendre le couvre-fils le long de la tige de prolongation et laissez-le en appui sur le moyeu du ventilateur. Assurez-vous qu'aucun fil n'est visible entre le couvre-fils et le moyeu du ventilateur. Faites descendre la monture le long de la tige de prolongation.

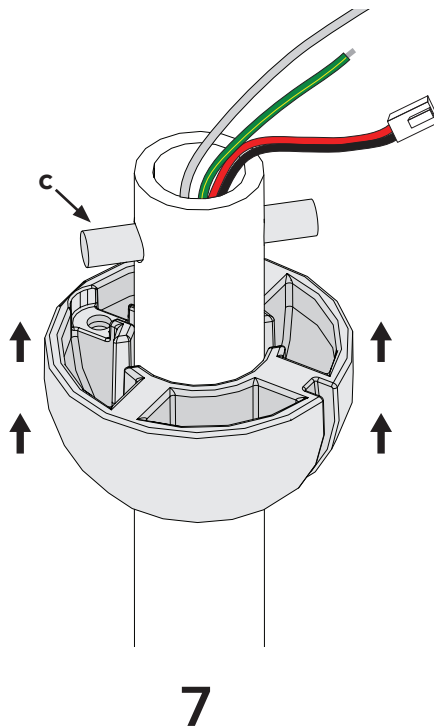


ÉTAPES TERMINÉES

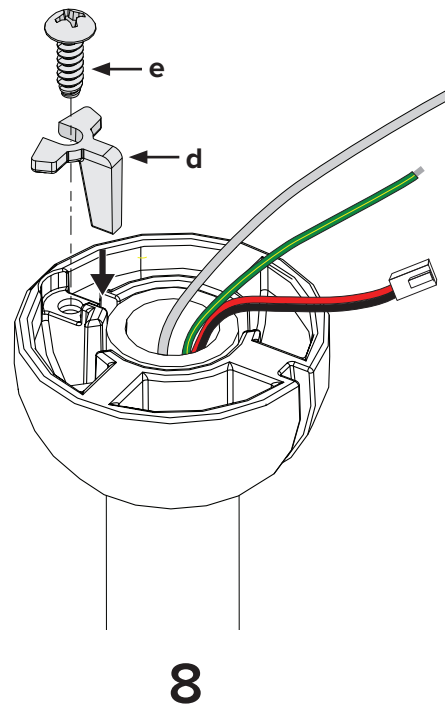
METTEZ LA BOULE DE FIXATION EN PLACE



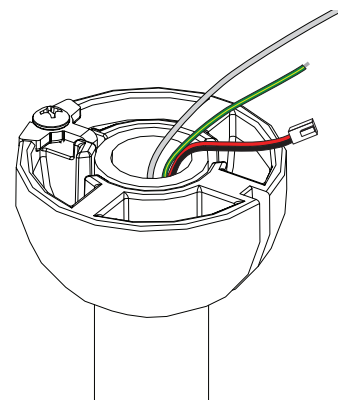
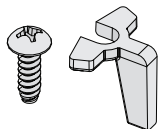
INTRODUISEZ LA GOUPILLE EN ACIER



FIXEZ LA CALE

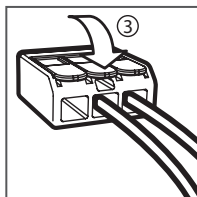
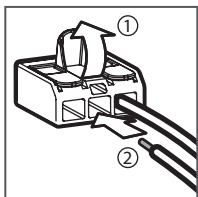
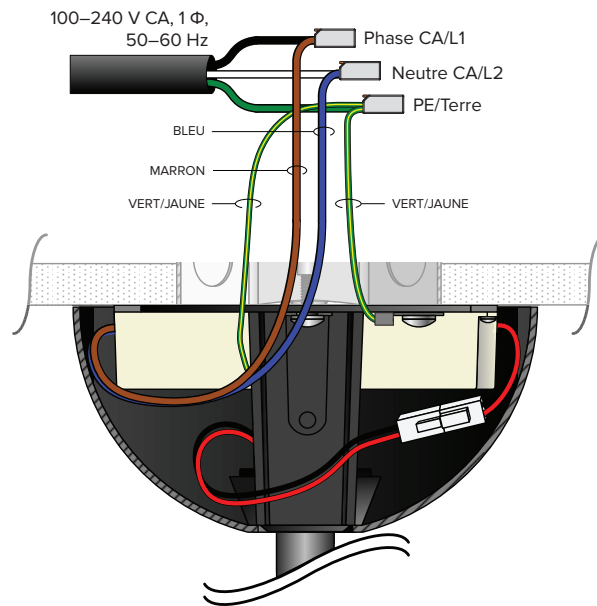


- 6 Faites coulisser la boule de fixation (a) le long de la tige de prolongation (b).
- 7 Introduisez la goupille en acier de 6 mm (c) dans le trou situé en haut de la tige de prolongation, puis faites remonter la boule de fixation de façon à loger la goupille en acier dans ses rainures internes.
- 8 Insérez la cale (d) dans la boule de fixation et maintenez-la en place à l'aide de la vis (e). Serrez suffisamment afin d'éviter tout jeu entre la boule de fixation et la tige de prolongation, mais ne serrez pas trop.



ÉTAPES TERMINÉES

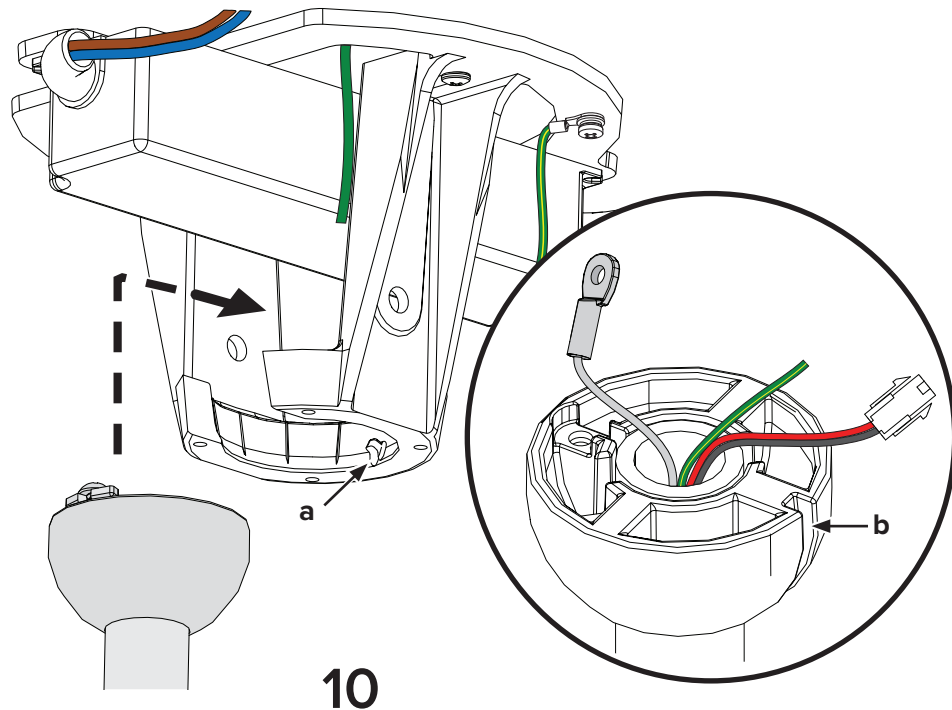
Schéma électrique



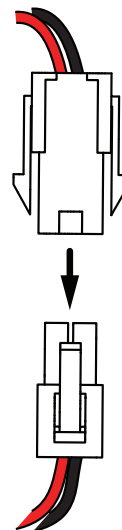
- ⚠ Coupez l'alimentation du ventilateur avant de procéder au câblage !**
 - ⚠ Les normes de sécurité électrique en vigueur peuvent exiger que l'installation du ventilateur soit effectuée par un électricien agréé.**
 - ⚠ Ne branchez jamais le ventilateur à une source de courant endommagée ! N'essayez pas de réparer une panne électrique seul. Contactez un électricien qualifié si vous avez le moindre doute concernant le raccordement électrique de ce ventilateur.**
- 9** Introduisez les fils du ventilateur et les fils du plafond dans les borniers. Testez les connexions en tirant légèrement sur les fils.

	Phase CA/L1 Marron	Neutre CA/L2 Bleu	PE/Terre (relié au châssis du ventilateur) Rayé vert et jaune
Australie	Marron ou rouge	Noir ou bleu clair	Rayé vert et jaune
Autres régions	Marron	Bleu	

ACCROCHEZ LE VENTILATEUR

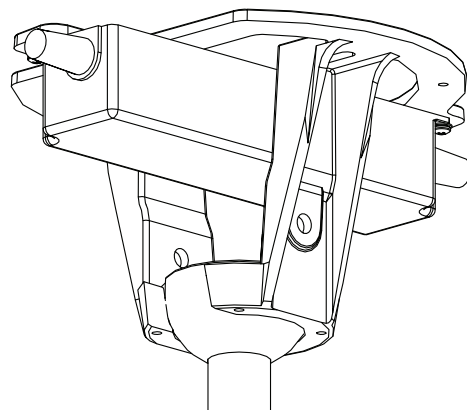


CONNECTEZ LES FAISCEAUX DE FILS



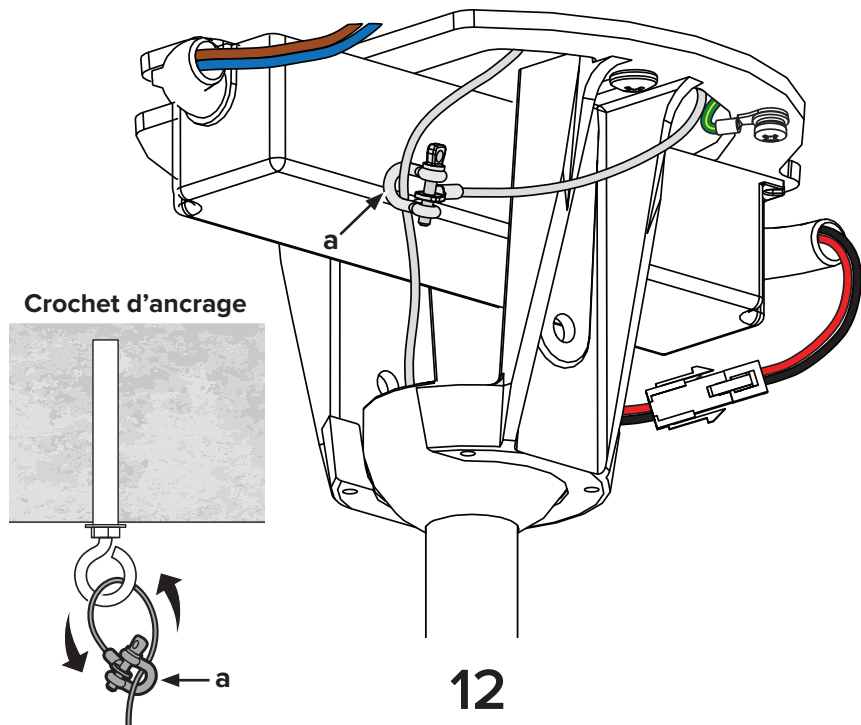
11

- 10** Soulevez le ventilateur jusqu'à son support de fixation. Alignez la nervure du support de fixation (*a*) sur la fente de la boule de fixation (*b*), mettez la boule de fixation en place, puis relâchez le ventilateur. Faites légèrement pivoter la tige de prolongation pour vous assurer qu'elle est bien en place et qu'elle ne bougera pas une fois le ventilateur en marche.
- 11** Connectez les faisceaux de fils. Raccordez le fil de terre vert sortant de la tige de prolongation au fil de terre de l'alimentation et au fil de terre vert du support de fixation.

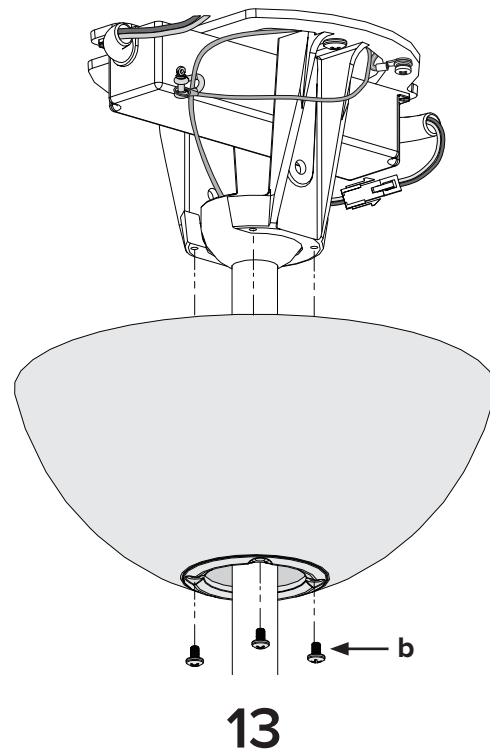


ÉTAPES TERMINÉES

METTEZ L'ÉLINGUE DE SÉCURITÉ EN PLACE



METTEZ LA MONTURE EN PLACE



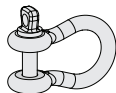
12 Solive de plafond en bois

Passez l'élingue de sécurité autour du support de fixation ou de l'élément structurel, puis attachez-la à l'aide de la manille.

Plafond en béton

Fixez l'élingue de sécurité à un crochet d'ancrage correctement installé dans le plafond en béton.

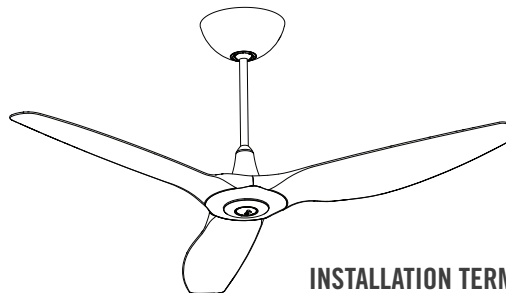
Accessoire :
a. Manille



13 Faites remonter la monture jusqu'au support de fixation en alignant les quatre trous de la monture sur ceux du support. Fixez la monture au support de fixation à l'aide des vis peintes. Veillez à ce que ni les fils ni l'élingue de sécurité ne soient visibles.

Visserie :

b. Vis M4 × 6 mm peintes



INSTALLATION TERMINÉE

6

ESSAI DU VENTILATEUR

N'exposez jamais la télécommande à la pluie ou à l'eau.

Avant d'utiliser la télécommande, retirez la languette en plastique au niveau du compartiment de la pile. Rétablissez l'alimentation électrique du ventilateur et vérifiez qu'il fonctionne correctement : à l'aide de la télécommande, mettez le ventilateur en marche et testez les fonctions de vitesse et de luminosité.



Allume ou éteint le ventilateur.



Allume ou éteint l'éclairage.



Augmente la vitesse de rotation ou la luminosité.



Réduit la vitesse de rotation ou la luminosité.



Active le minuteur pour une durée maximale de huit heures. Chaque pression allonge la durée d'une heure.



Désactive le minuteur.



Fait varier la vitesse du ventilateur pour simuler une brise naturelle.



Ajuste automatiquement la vitesse du ventilateur pendant la nuit, pour un sommeil tout en confort.

Application mobile Big Ass Fans



Téléchargez l'application mobile Big Ass Fans pour regrouper plusieurs fans, ajuster leurs paramètres et définir vos préférences de confort pour un contrôle mains libres.

Pour obtenir des instructions sur l'intégration des appareils intelligents, rendez-vous sur www.bigassfans.com/support



ESPAÑOL

Guía de instalación

Para obtener información sobre el funcionamiento, el mantenimiento y la resolución de problemas, visite bigassfans.com/support

Modelos: K3127-S0, K3127-X2, K3150-A2, K3150-S0, K3150-X2

<i>Tema</i>	<i>Página</i>
Especificaciones técnicas	3
Herramientas necesarias	3
Piezas y accesorios	
Montura de bajo perfil	4
Montura estándar	5
Montura universal	6
Preparar el lugar de instalación del ventilador	7
Instalar el ventilador	
Aspas aerodinámicas	8
Cubierta y borde inferiores	10
Soporte de montaje	12
Montaje: Bajo perfil	20
Montaje: Estándar	28
Montaje: Universal	40
Probar el ventilador	52

LEA Y CONSERVE ESTAS INSTRUCCIONES

NOTAS

- ⚠️ ¡Desconecte la alimentación eléctrica del lugar donde instalará el ventilador! No utilice el ventilador con un regulador de intensidad.
- ⚠️ Si su código eléctrico local así lo exige, el ventilador debe ser instalado por un electricista registrado.
- ⚠️ ¡El cable de tierra debe estar conectado a la tierra de la alimentación y debe ser más largo que el cable de seguridad!

Especificaciones técnicas

Diámetro	Peso	Tensión de operación	Frecuencia de operación
132 cm	≤ 6.4 kg	100–240 VCA, 1 Φ	50–60 Hz
152 cm	≤ 7.3 kg	100–240 VCA, 1 Φ	50–60 Hz

Herramientas necesarias

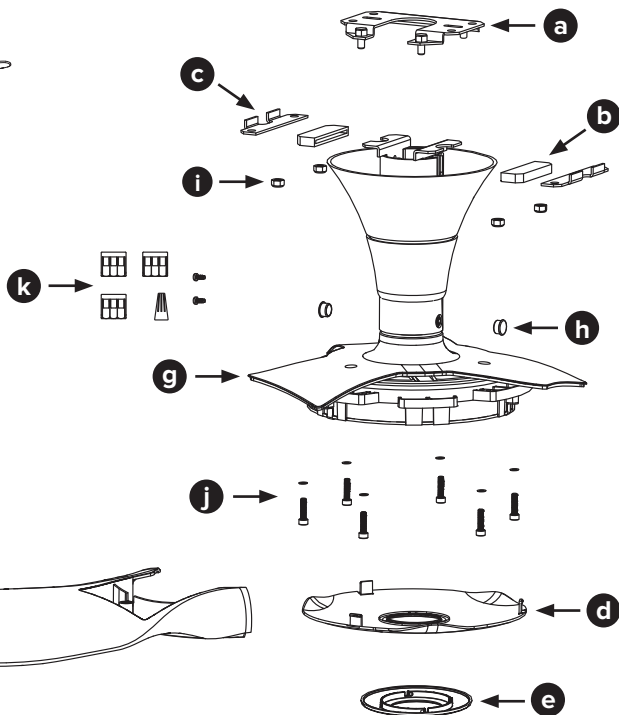
- Escalera
- Pelacables
- Destornillador Phillips
- Llaves

Contenido de la caja

Al sacar el ventilador de su empaque, compruebe que no falte ninguno de los componentes necesarios para el armado y la operación. Si ha comprado varios ventiladores, ¡asegúrese de guardar juntos los componentes de cada uno de ellos!

PIEZAS Y ACCESORIOS: MONTURA DE BAJO PERFIL

- a** Placa de montaje
- b** (2) Amortiguadores de goma
- c** (2) Soportes de montaje
- d** Cubierta inferior
- e** Borde de la cubierta inferior
- f** (3) Aspas aerodinámicas
- g** Cubo del motor
- h** (2) Cubretornillos para el tubo de extensión*
- i** Accesorios de montaje
 - (4) Tuercas Nylock de 6 mm
 - Grillete del cable de seguridad**
- j** Accesorios de las aspas aerodinámicas
 - (6) Tornillos M5 para aspas aerodinámicas
 - (6) Arandelas de seguridad de 5 mm
- k** Accesorios para el cableado
 - Conectores de cable
 - Conector de torsión
 - (2) Tornillos para la tapa del cableado



* Utilice los dos cubretornillos que coincidan con el color de su ventilador.

** No se muestra el cable de seguridad.

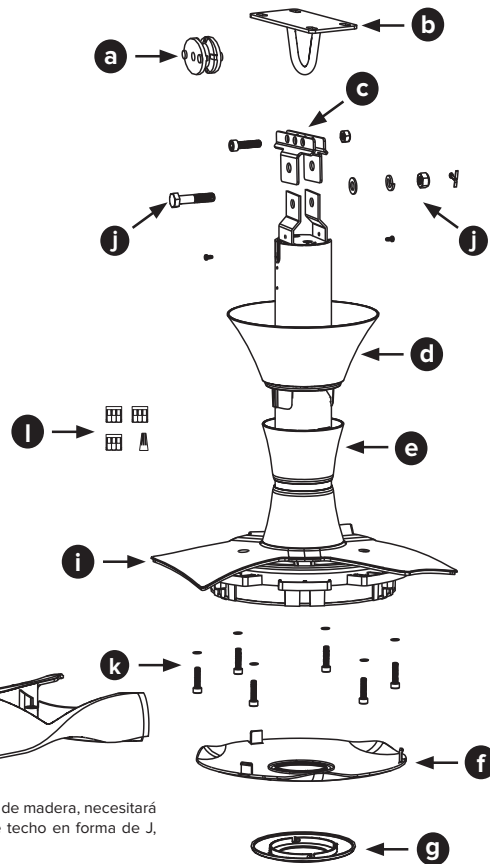
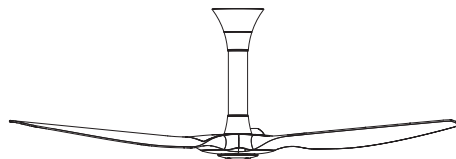
PIEZAS Y ACCESORIOS: MONTURA ESTÁNDAR

- a** Casquillo de goma
- b** Soporte de montaje
- c** (2) Soportes para sujeción del montaje
- d** Tapa del cableado
- e** Pieza de acabado
- f** Cubierta inferior
- g** Borde de la cubierta inferior
- h** (3) Aspas aerodinámicas
- i** Cubo del motor

- j** Accesorios de montaje
 - (2) Tornillos de cabeza hueca M6 x 1 x 25 mm^{*}
 - (2) Tuercas Nylock M6 x 1^{*}
 - Perno M8
 - Arandela plana de 8 mm
 - Arandela de seguridad de 8 mm
 - Tuerca M8
 - Chaveta partida 2 mm x 2 mm
 - Grillete del cable de seguridad^{**}

- k** Accesorios de las aspas aerodinámicas
 - (6) Tornillos M5 para aspas aerodinámicas
 - (6) Arandelas de seguridad de 5 mm

- l** Accesorios para el cableado
 - Conectores de cable
 - Conector de torsión
 - (2) Tornillos para la tapa del cableado



^{*} Si va a instalar el ventilador en un gancho de techo en forma de U o una viga de madera, necesitará un (1) perno y una (1) tuerca. Si va a instalar el ventilador en un gancho de techo en forma de J, necesitará dos (2) pernos y dos (2) tuercas.

^{**} No se muestra el cable de seguridad.

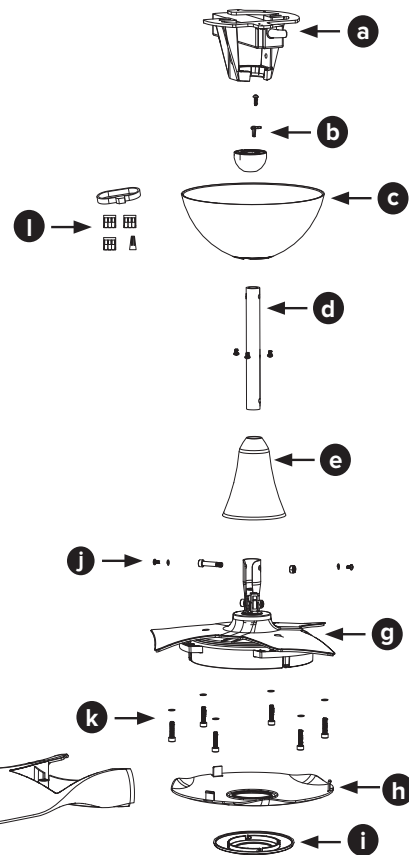
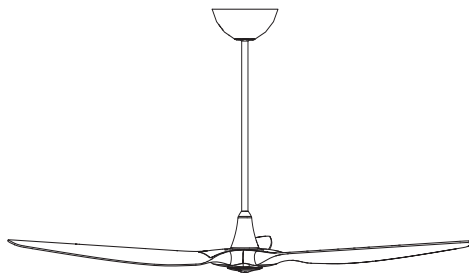
PIEZAS Y ACCESORIOS: MONTURA UNIVERSAL

- a** Soporte de montaje
- b** Cuña y bola de montaje
- c** Campana
- d** Tubo de extensión
- e** Tapa del cableado
- f** (3) Aspas aerodinámicas
- g** Cubo del motor
- h** Cubierta inferior
- i** Borde de la cubierta inferior

- j** Accesorios de montaje
 - Tornillo autorroscante de 4 mm
 - Pasador de acero de 6 mm
 - (6) Tornillos M4 x 10
 - (2) Arandelas de seguridad M4
 - Grillete del cable de seguridad†
 - Perno M6 x 32 mm
 - Tuerca M6

- k** Accesorios de las aspas aerodinámicas
 - (6) Tornillos M5 para aspas aerodinámicas
 - (6) Arandelas de seguridad de 5 mm

- l** Accesorios para el cableado
 - Conectores de cable
 - Conector de torsión
 - Precinto plástico



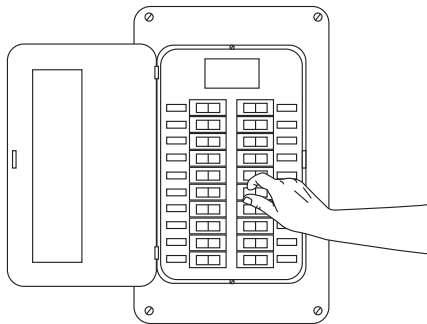
† No se muestra el cable de seguridad.

1 PREPARAR EL LUGAR DE INSTALACIÓN DEL VENTILADOR



La instalación requiere conocimientos básicos de electricidad. Si no se siente cómodo realizando trabajos eléctricos, ¡llame a un electricista registrado!

1 ¡Desconecte la energía eléctrica!



¡Desconecte la alimentación eléctrica antes de cablear el ventilador!



Se debe incorporar un dispositivo de desconexión externo que sea de fácil acceso.

2 Estructura de montaje*

Si va a instalar el ventilador directamente en la estructura del edificio, la estructura debe ser *apta para soportar un ventilador*.

*Los medios de fijación utilizados para sujetar la unidad al techo (tales como ganchos u otros dispositivos) se deben asegurar con fuerza suficiente para soportar cuatro veces el peso del ventilador.

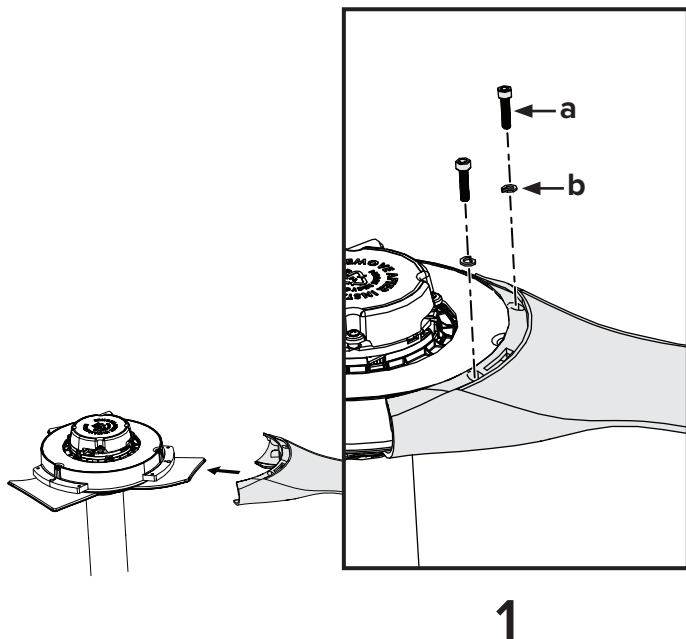
*Malasia: Los medios de fijación utilizados para sujetar la unidad al techo (tales como ganchos u otros dispositivos) se deben asegurar con fuerza suficiente para soportar diez veces el peso del ventilador.

2 INSTALAR LAS ASPAS AERODINÁMICAS

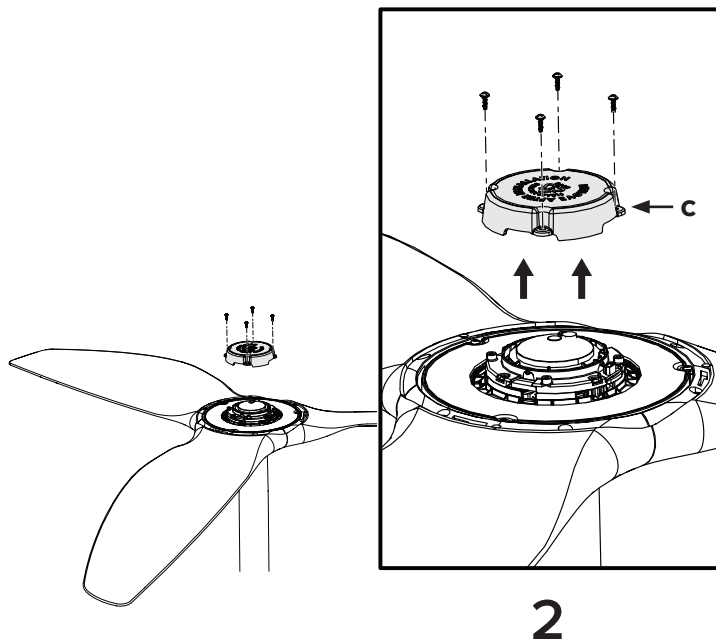


¡Verifique que las etiquetas de las aspas aerodinámicas coincidan con las etiquetas del cubo del ventilador!

INSTALE LAS ASPAS AERODINÁMICAS



QUITE LA CUBIERTA PROTECTORA

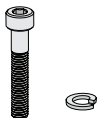


- 1 Moviéndose alrededor del ventilador en el sentido de las manecillas del reloj, alinee cada aspa aerodinámica en el cubo del ventilador y asegúrelas con los tornillos y las arandelas. **Verifique que las etiquetas de las aspas aerodinámicas coincidan con las etiquetas del cubo del ventilador.**

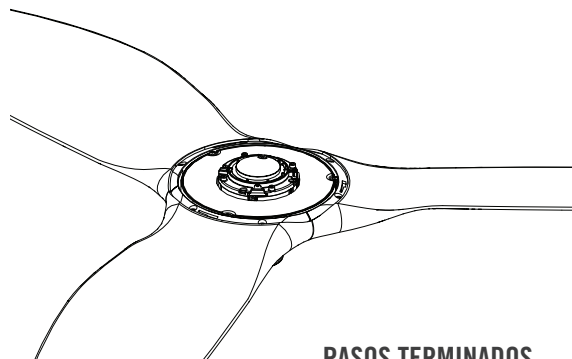
Accesorios:

a. Tornillo M5 para aspas aerodinámicas

b. Arandela de seguridad de 5 mm



- 2 Quite y recicle la cubierta protectora de plástico (c).



PASOS TERMINADOS

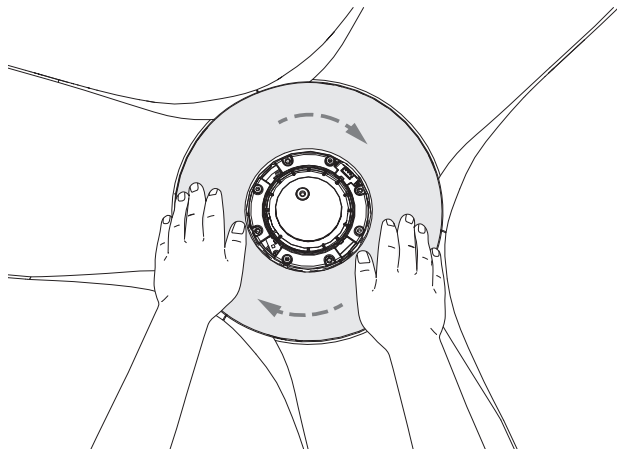
3

INSTALAR LA TAPA DEL CABLEADO Y LA PIEZA DE ACABADO



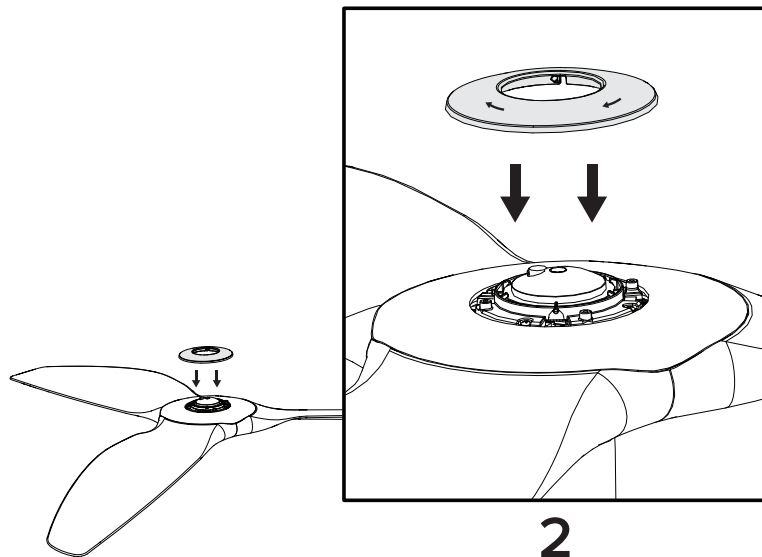
Si compró la Luz Haiku, proceda a las instrucciones incluidas en el kit. Regrese a estas instrucciones una vez que haya instalado la luz.

INSTALAR LA CUBIERTA INFERIOR



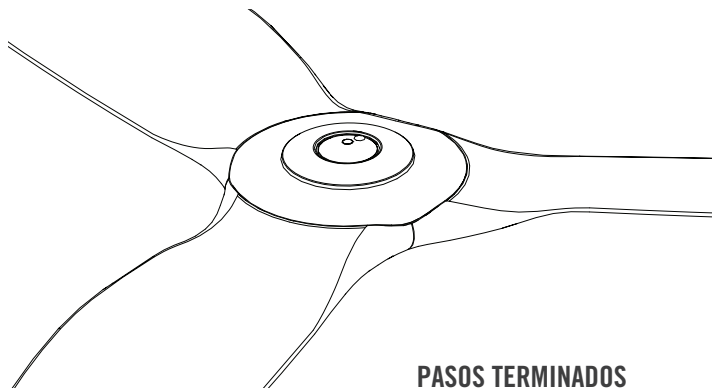
1

INSTALAR LA PIEZA DE ACABADO DE LA CUBIERTA INFERIOR



2

- 1** Ubique la cubierta inferior sobre el motor del ventilador, coloque las palmas de ambas manos sobre la cubierta y gírela en el sentido de la manecillas del reloj para asegurarla.
- 2** Alinee las cuatro ranuras de la pieza de acabado de la cubierta inferior con las cuatro pequeñas lengüetas redondas del cubo del ventilador. Presione y gire la pieza de acabado en el sentido de las manecillas del reloj para asegurarla en su sitio.



INSTALAR EL SOPORTE DE MONTAJE

Techo de concreto

Si va a instalar el ventilador en un techo de concreto, verifique que el cableado llegue hasta el sitio donde se instalará el ventilador.

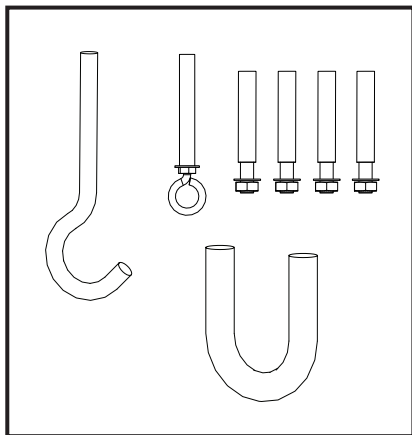
Montura de bajo perfil. Asegure la placa de montaje directamente al techo usando cuatro pernos de anclaje Ø 8 mm. Si el código de construcción y seguridad local lo requiere, instale un gancho de anclaje Ø 8 mm para el cable de seguridad.

Montura estándar. Instale el ventilador donde haya un gancho de techo u otro apoyo estructural apropiado. Si en el lugar donde instalará el ventilador no hay ningún gancho, instale el soporte de montaje usando cuatro pernos de anclaje Ø 8 mm. Si el código de construcción y seguridad local lo requiere, instale un gancho de anclaje Ø 8 mm para el cable de seguridad.

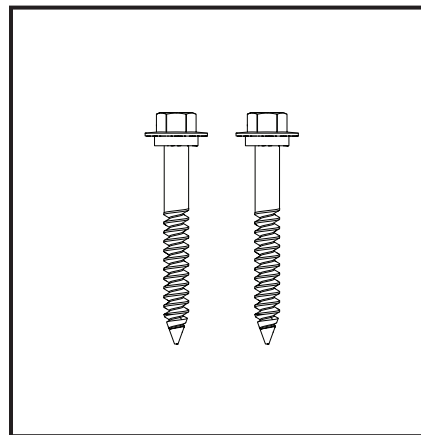
Montura universal. Asegure el soporte de montaje directamente al techo usando tres pernos de anclaje Ø 8 mm. Si el código de construcción y seguridad local lo requiere, instale un gancho de anclaje Ø 8 mm para el cable de seguridad.

Viga de techo de madera

Si va a instalar el ventilador en una viga de techo de madera, verifique que el cableado llegue hasta el sitio donde se instalará el ventilador. Asegure la placa o el soporte de montaje directamente a la viga usando tornillos para madera (no provistos). Big Ass Fans recomienda utilizar tornillos para madera de cabeza hexagonal 12-11 x 45 mm resistentes a la corrosión, con sello.



4a **Techo de concreto**
Página 14



4b **Viga de techo de
madera**
Página 16

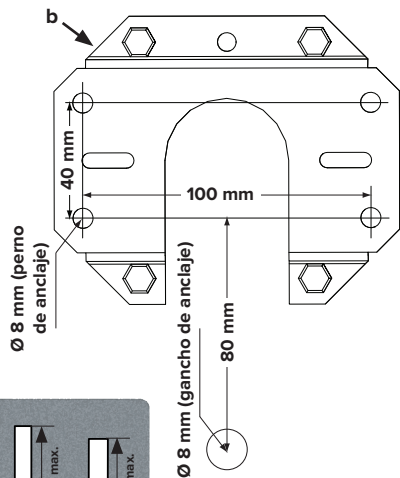
4a

INSTALAR EL SOPORTE DE MONTAJE (TECHO DE CONCRETO)

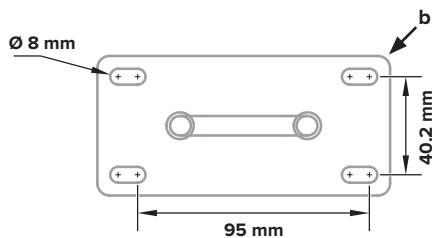


Si el código de construcción y seguridad local lo requiere, instale un gancho de anclaje para el cable de seguridad.

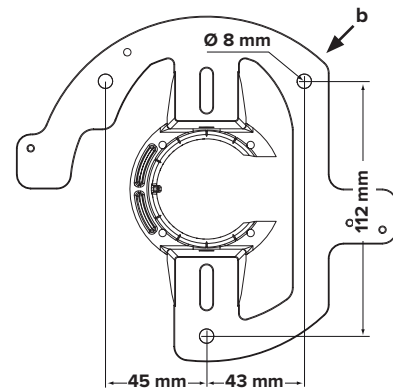
Montura de bajo perfil



Montura estándar



Montura universal



⚠ Antes de instalar la placa o el soporte de montaje, ¡verifique que la alimentación eléctrica del ventilador esté desconectada!

Montura de bajo perfil

Perfore cuatro agujeros Ø 8 mm como se muestra a continuación. La profundidad de los agujeros no debe exceder los 46 mm. Quite el polvo de los agujeros. Inserte cuatro pernos de anclaje (*a*) en los agujeros. Golpee las cabezas de los pernos con un martillo, verificando que las camisas para anclaje estén a ras con la superficie del techo. Ubique la placa de montaje (*b*) sobre los pernos de anclaje. Verifique que los cuatro pernos estén totalmente ajustados para así expandir y trabar los anclajes. Si los códigos locales de construcción y seguridad lo requieren, instale un gancho de anclaje (*c*) para el cable de seguridad. Perfore un agujero Ø 8 mm para el gancho de anclaje como se muestra a continuación. La profundidad del agujero no debe exceder los 46 mm. Quite el polvo del agujero, inserte el gancho y ajuste firmemente.

Montura estándar

Perfore cuatro agujeros Ø 8 mm como se muestra a continuación. La profundidad de los agujeros no debe exceder los 46 mm. Quite el polvo de los agujeros. Inserte cuatro pernos de anclaje (*a*) en los agujeros. Golpee las cabezas de los pernos con un martillo, verificando que las camisas para anclaje estén a ras con la superficie del techo. Ubique la placa de colgar (*b*) sobre los pernos de anclaje. Verifique que los cuatro pernos estén totalmente ajustados para así expandir y trabar los anclajes. Si los códigos locales de construcción y seguridad lo requieren, instale un gancho de anclaje (*c*) para el cable de seguridad. Perfore un agujero Ø 8 mm para el gancho de anclaje adyacente a la placa de colgar. La profundidad de los agujeros no debe sobrepasar los 46 mm. Quite el polvo de los agujeros, inserte el gancho y ajuste firmemente.

Montura universal

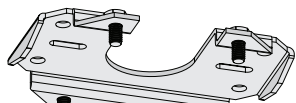
Perfore tres agujeros Ø 8 mm como se muestra a continuación. La profundidad de los agujeros no debe exceder los 46 mm. Quite el polvo de los agujeros. Inserte tres pernos de anclaje (*a*) en los agujeros. Golpee las cabezas de los pernos con un martillo, verificando que las camisas para anclaje estén a ras con la superficie del techo. Ubique el soporte de montaje (*b*) sobre los pernos de anclaje. Verifique que los tres pernos estén totalmente ajustados para así expandir y trabar los anclajes. Si los códigos locales de construcción y seguridad lo requieren, instale un gancho de anclaje (*c*) para el cable de seguridad. Perfore un agujero Ø 8 mm para el gancho de anclaje. La profundidad del agujero no debe exceder los 46 mm. Quite el polvo del agujero, inserte el gancho y ajuste firmemente.

4b

INSTALAR EL SOPORTE DE MONTAJE (VIGA DE TECHO DE MADERA)

Montura de bajo perfil

viga de techo



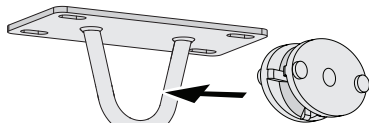
b



No provisto

Montura estándar

viga de techo



b

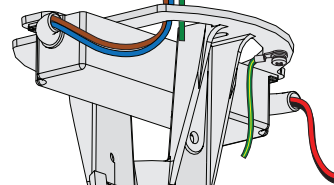


No provisto

a

Montura universal

viga de techo



b



No provisto

⚠ Antes de instalar la placa o el soporte de montaje, ¡verifique que la alimentación eléctrica del ventilador esté desconectada!

Si va a instalar un ventilador de montura estándar, coloque el casquillo de goma (a) en el ojo del soporte de montaje.

Asegure la placa o el soporte de montaje (b) a la viga usando tornillos de madera de cabeza hexagonal 12-11 x 45 mm con sello (no provistos).

Si va a instalar un ventilador de montura universal en un techo inclinado, asegure el soporte de montaje de manera que el lado abierto del soporte quede mirando hacia arriba de la pendiente de la viga.

COLGAR EL VENTILADOR

Montura de bajo perfil

La montura de bajo perfil se puede instalar en techos planos de tan solo 8 pies (2.4 m) de altura.

Montura estándar

Con la montura estándar se logra un movimiento de aire más eficiente cuando se instala en techos planos de entre 8.5 y 11 pies (2.5 a 3.4 metros) de altura.

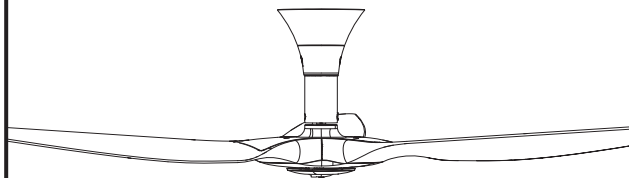
Montura universal

La montura universal se puede instalar en techos inclinados o planos de 10.5 a 14+ pies (3.2 a 4.3+ metros) de altura.

5a

Montura de bajo perfil

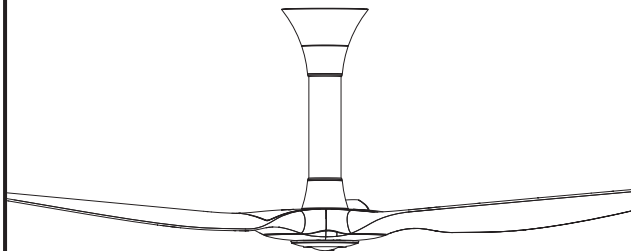
Página 20



5b

Montura estándar

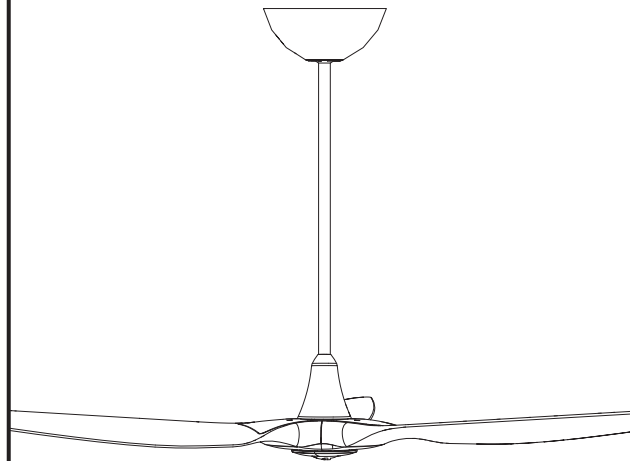
Página 28



5c

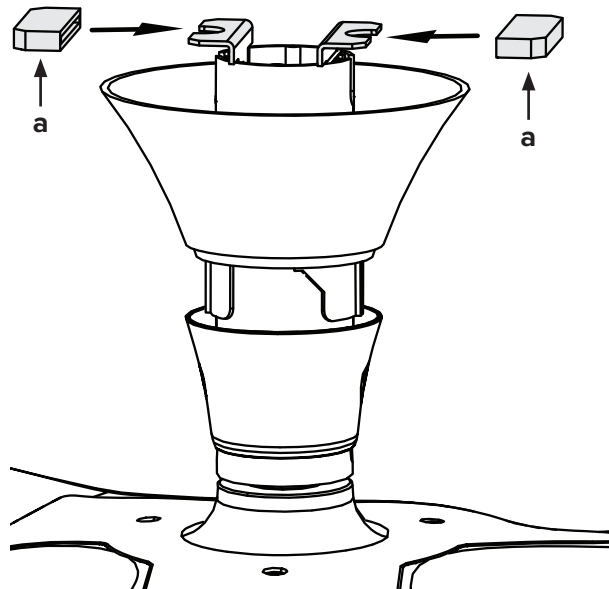
Montura universal

Página 40



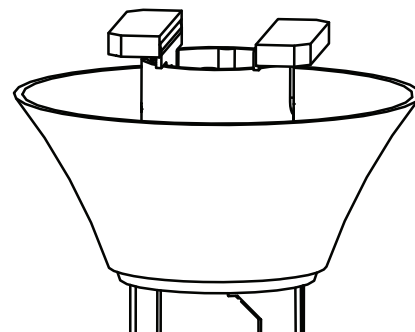
5a MONTAJE: BAJO PERFIL

INSTALAR LOS AMORTIGUADORES DE GOMA



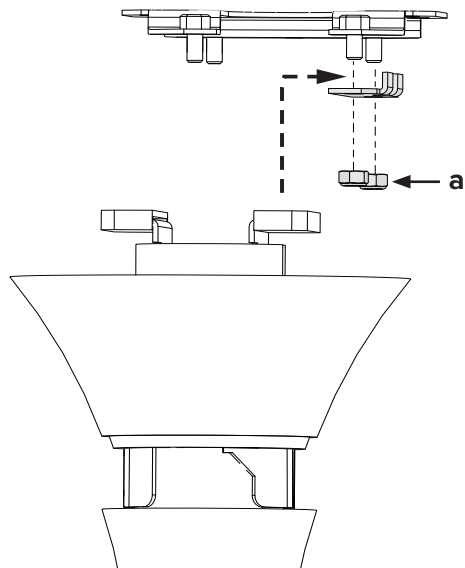
1

1 Coloque los amortiguadores de goma (α) en los soportes del tubo de extensión.



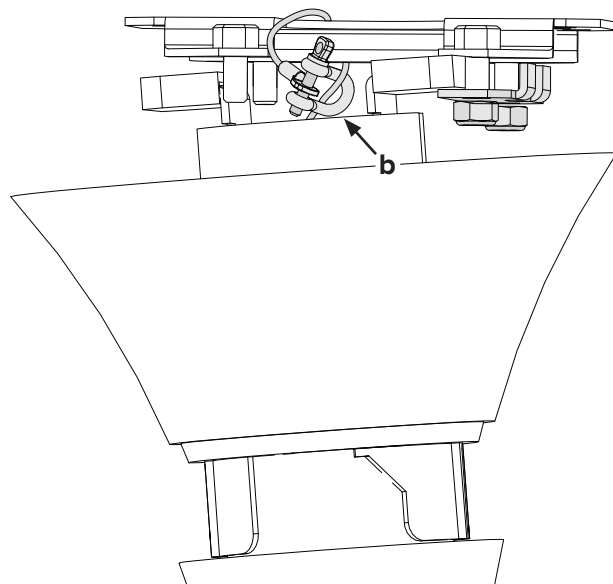
PASO TERMINADO

APOYAR EL VENTILADOR



2

ASEGURAR EL CABLE DE SEGURIDAD



3

- 2** Asegure un soporte de montaje a la placa de montaje usando las tuercas Nylock, pero no lo ajuste totalmente. Suba el ventilador hasta el soporte y apoye temporalmente un amortiguador de goma en el espacio entre el soporte y la placa. Esto proporciona un mayor apoyo al momento de asegurar el cable de seguridad.

Accesorios:

a. *Tuercas Nylock de 6 mm*



3 Viga de techo de madera

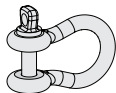
Mientras sostiene el ventilador, haga pasar el cable de seguridad alrededor de la placa de montaje o la estructura del edificio y luego asegúrela con el grillete (b). Permita que el ventilador cuelgue del cable de seguridad.

Techo de concreto

Asegure el cable de seguridad a un gancho de anclaje que esté instalado correctamente en el techo de concreto. Permita que el ventilador cuelgue del cable de seguridad.

Accesorios:

b. *Grillete*



Gancho de anclaje

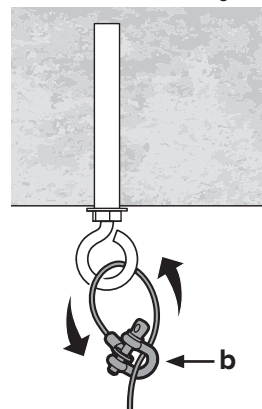
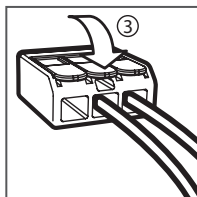
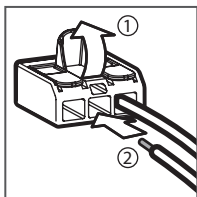
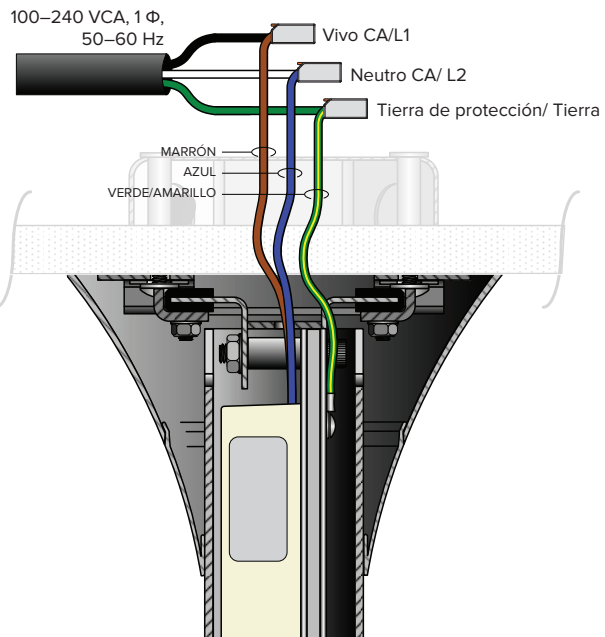


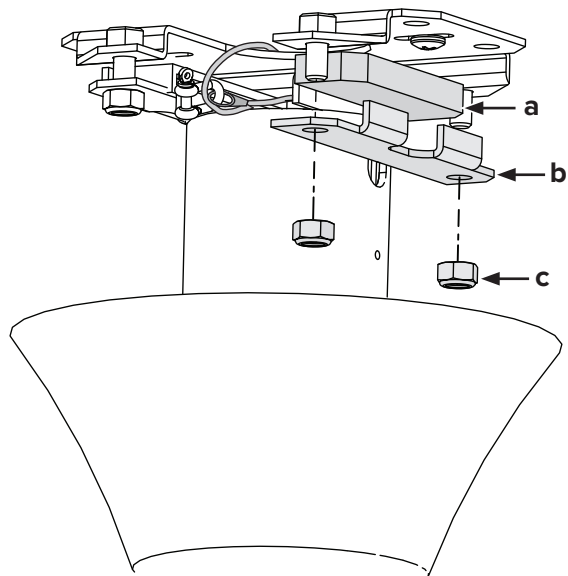
Diagrama de cableado



- ⚠ ¡Desconecte la alimentación eléctrica antes de cablear el ventilador!**
 - ⚠ Si su código eléctrico local así lo exige, el ventilador debe ser instalado por un electricista registrado.**
 - ⚠ ¡Nunca conecte el ventilador a una fuente de alimentación dañada! No intente reparar desperfectos eléctricos por su cuenta. Si tiene alguna duda sobre la instalación eléctrica de este ventilador, consulte a un electricista calificado.**
- 4** Con el ventilador colgando del cable de seguridad, inserte los cables del ventilador y los cables del techo en los conectores. Pruebe la conexión tirando suavemente de los cables.

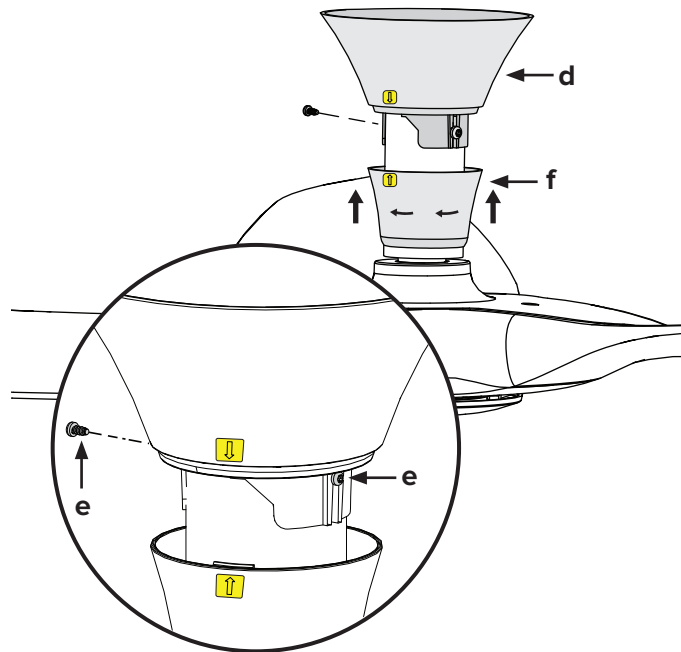
	Vivo CA/L1 Marrón	Neutro CA/ L2 Azul	Tierra de protección/ Tierra (conectado al chasis del ventilador) Verde con línea amarilla
Australia	Marrón o rojo	Negro o celeste	Verde con línea amarilla
Todas las demás regiones	Marrón	Azul	

INSTALAR LOS SOPORTES DE MONTAJE



5

INSTALAR LA TAPA DEL CABLEADO Y LA PIEZA DE ACABADO



6

- 5** Levante el ventilador hasta la montura. Inserte un amortiguador de goma entre la placa de montaje y el soporte de montaje que todavía no ha ajustado totalmente. Ubique el otro amortiguador de goma (*a*) y luego asegúrelo con el otro soporte de montaje (*b*) y las tuercas. Ajuste todos los accesorios.

Accesorios:

c. Tuercas Nylock de 6 mm



- 6** Deslice la tapa del cableado (*d*) hacia arriba por el tubo de extensión hasta dejar un espacio de aproximadamente 1/8 in (3 mm) entre la misma y el techo. Gire la tapa de modo que las ranuras de montaje estén alineadas con los agujeros para los tornillos del tubo de extensión y luego asegúrela con los tornillos (*e*).

Deslice la pieza de acabado (*f*) hacia arriba por el tubo de extensión, alineando las pestañas del lado interior con las ranuras en la parte inferior de la tapa del cableado. Gire en el sentido de las manecillas del reloj hasta asegurar la pieza de acabado en su sitio.

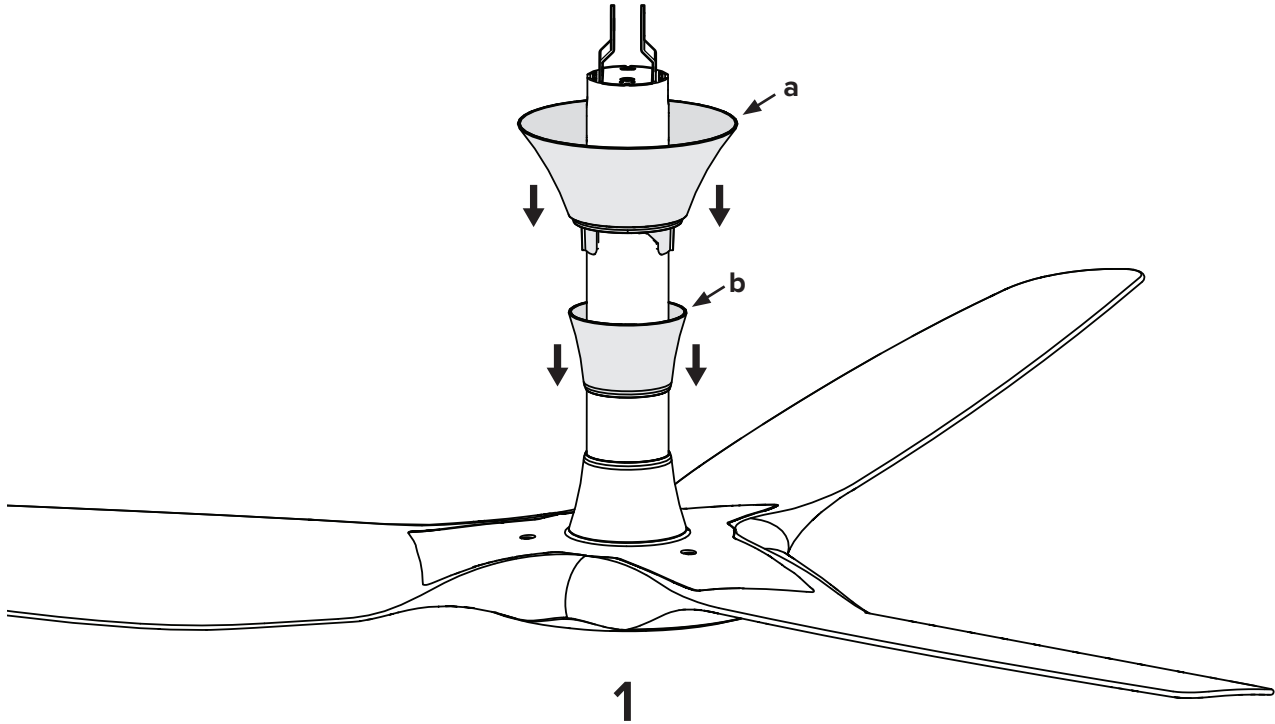


INSTALACIÓN TERMINADA

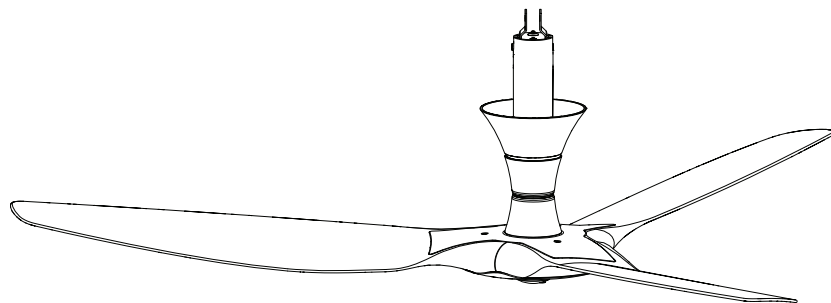
5b

MONTAJE: ESTÁNDAR

UBICAR LA TAPA DEL CABLEADO Y LA PIEZA DE ACABADO



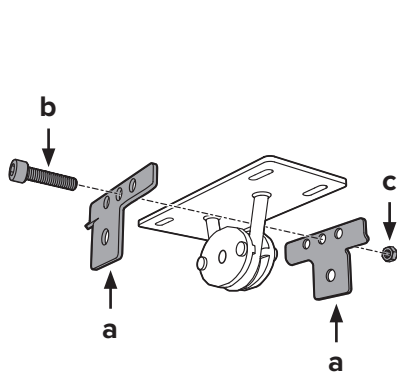
- 1 Con el ventilador en posición vertical, quite la cubierta protectora del tubo de extensión. Deslice la tapa del cableado (a) y la pieza de acabado (b) por el tubo de extensión hasta apoyarlas en el cubo del ventilador.



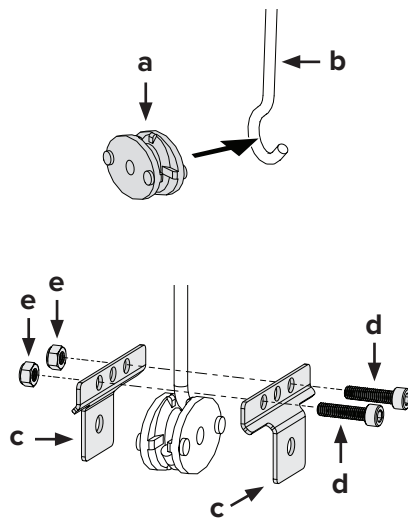
PASO TERMINADO

ASEGURAR LOS SOPORTES PARA SUJECCIÓN DEL MONTAJE

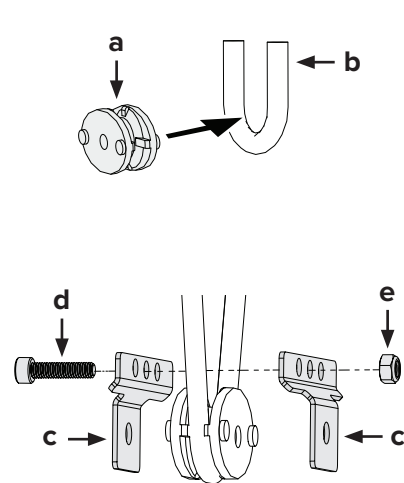
Viga de madera



Gancho de techo en forma de J



Gancho de techo en forma de U



2

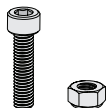
2 Viga de techo de madera

Instale los soportes para sujeción del montaje (a) usando los accesorios provistos, pero no los apriete demasiado. Se debe insertar un perno en el agujero del medio. No ajuste totalmente los accesorios.

Accesorios:

b. Tornillo de cabeza hueca M6 x 1 x 25 mm

c. Tuerca Nylock M6 x 1



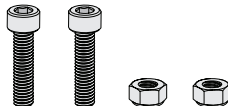
Gancho de techo en forma de J

Verifique que el gancho de techo esté empotrado en el techo de concreto. Coloque el casquillo de goma (a) en el ojo del gancho de techo (b). Instale los soportes para sujeción del montaje (c) usando los accesorios provistos, pero no los apriete demasiado. Se deben insertar dos pernos en los agujeros exteriores. No ajuste totalmente los accesorios.

Accesorios:

d. Tornillos de cabeza hueca M6 x 1 x 25 mm

e. Tuercas Nylock M6 x 1



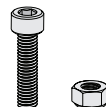
Gancho de techo en forma de U

Verifique que el gancho de techo esté empotrado en el techo de concreto. Coloque el casquillo de goma (a) en el ojo del gancho de techo (b). Instale los soportes para sujeción del montaje (c) usando los accesorios provistos, pero no los apriete demasiado. Se debe insertar un perno en el agujero del medio. No ajuste totalmente los accesorios.

Accesorios:

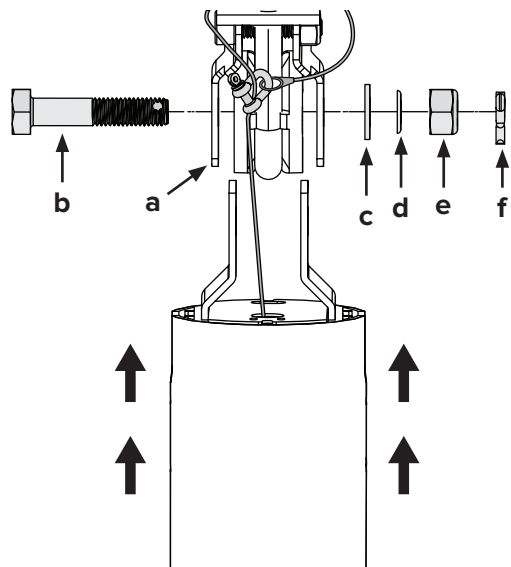
d. Tornillo de cabeza hueca M6 x 1 x 25 mm

e. Tuerca Nylock M6 x 1

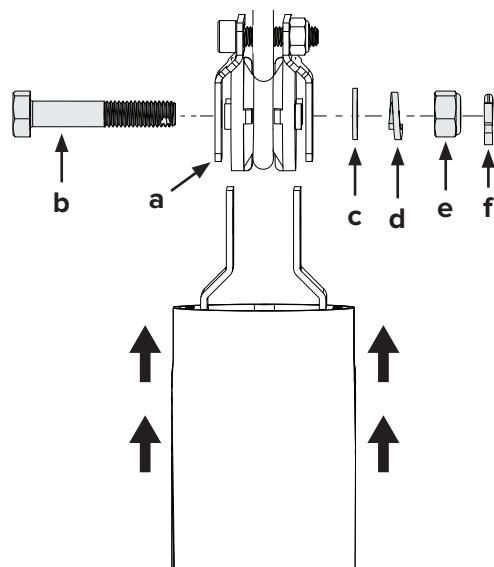


COLGAR EL VENTILADOR

Viga de madera



Techo de concreto



3

- 3** Levante el tubo de extensión hasta la montura e inserte los soportes del tubo entre los soportes de montaje (a) y el casquillo de goma de manera que los agujeros de montaje estén alineados. Asegure el tubo de extensión con los accesorios de montaje. *Apriete totalmente todos los accesorios, de manera que los soportes estén ligeramente doblados.*

Accesorios:

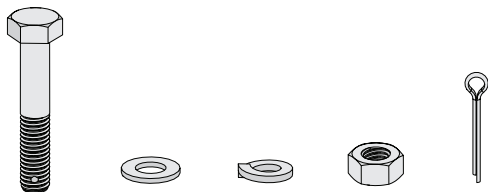
b. Perno M8

c. Arandela plana de 8 mm

d. Arandela de seguridad de 8 mm

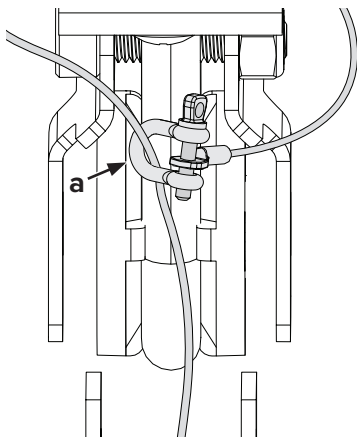
e. Tuerca M8

f. Chaveta partida 2 mm x 2 mm

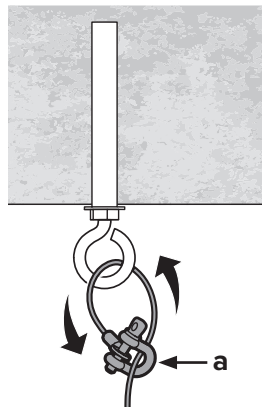


ASEGURAR EL CABLE DE SEGURIDAD

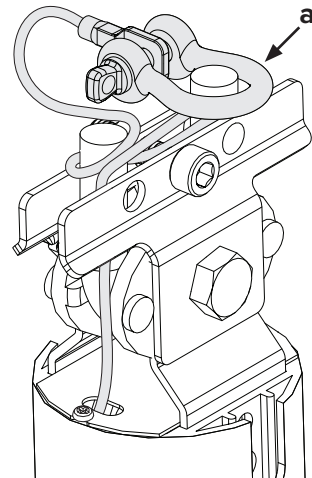
Viga de madera



Gancho de techo en forma de J o placa de colgar



Gancho de techo en forma de U



4

4 Viga de techo de madera

Haga pasar el cable de seguridad alrededor del soporte de montaje o la estructura del edificio y luego asegúrelo con el grillete (a).

Gancho de techo en forma de J o placa de colgar

Asegure el cable de seguridad a un gancho de anclaje que esté instalado correctamente en el techo de concreto. Haga pasar el cable de seguridad alrededor del gancho de techo y a través del gancho de anclaje. Luego asegúrelo con el grillete (a).

Gancho de techo en forma de U

Haga pasar el cable de seguridad alrededor del gancho de techo y luego asegúrelo con el grillete (a).

Accesorios:

a. Grillete

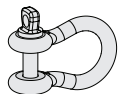
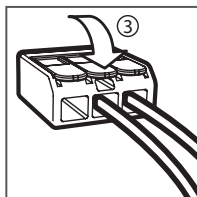
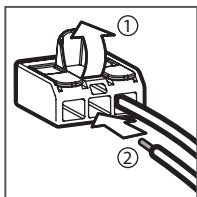
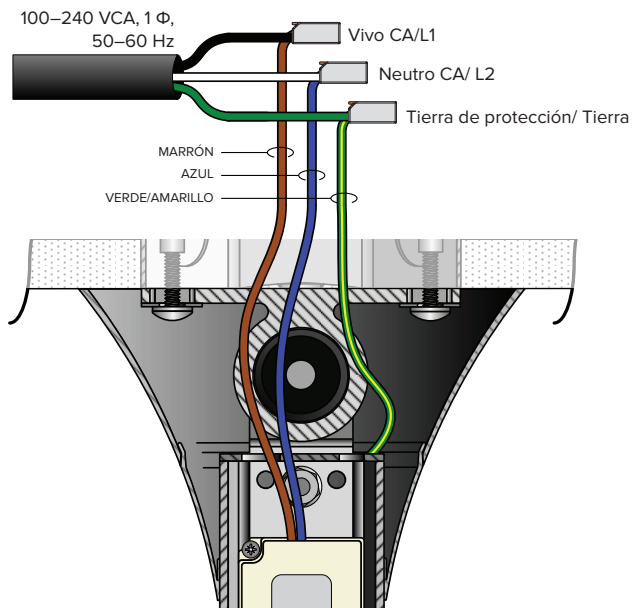


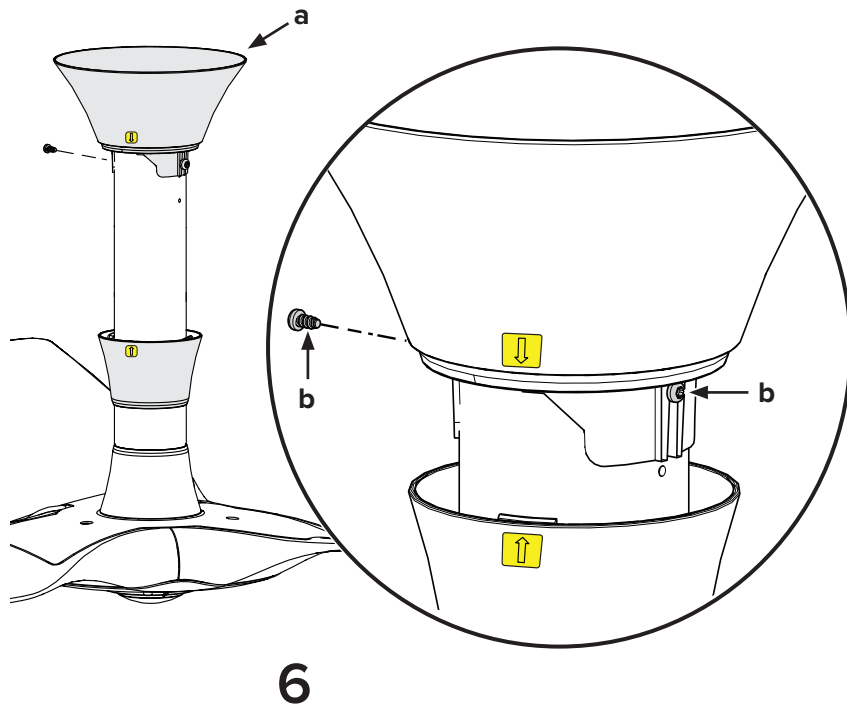
Diagrama de cableado



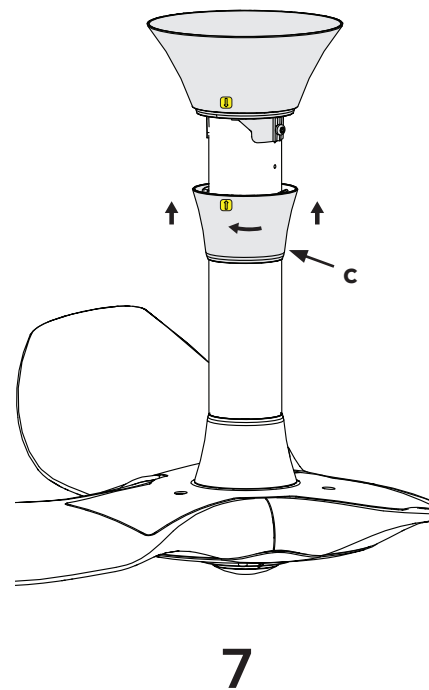
- ⚠ ¡Desconecte la alimentación eléctrica antes de cablear el ventilador!**
 - ⚠ Si su código eléctrico local así lo exige, el ventilador debe ser instalado por un electricista registrado.**
 - ⚠ ¡Nunca conecte el ventilador a una fuente de alimentación dañada! No intente reparar desperfectos eléctricos por su cuenta. Si tiene alguna duda sobre la instalación eléctrica de este ventilador, consulte a un electricista calificado.**
- 5** Inserte los cables del ventilador y los cables del techo en los conectores. Pruebe la conexión tirando suavemente de los cables.

	Vivo CA/L1 Marrón	Neutro CA/ L2 Azul	Tierra de protección/ Tierra (conectado al chasis del ventilador) Verde con línea amarilla
Australia	Marrón o rojo	Negro o celeste	Verde con línea amarilla
Todas las demás regiones	Marrón	Azul	

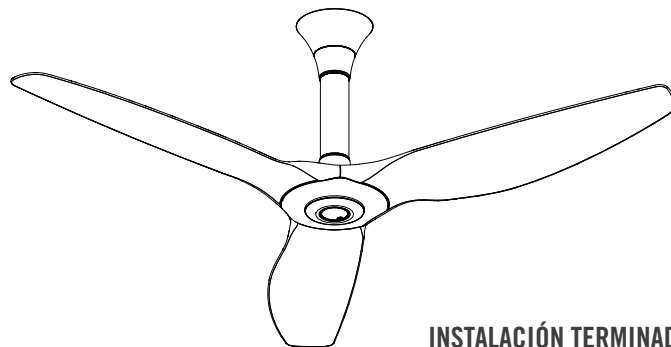
INSTALAR LA TAPA DEL CABLEADO



INSTALAR LA PIEZA DE ACABADO



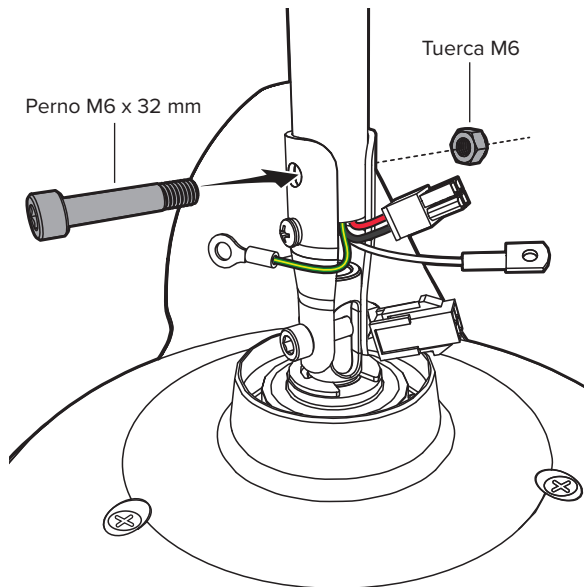
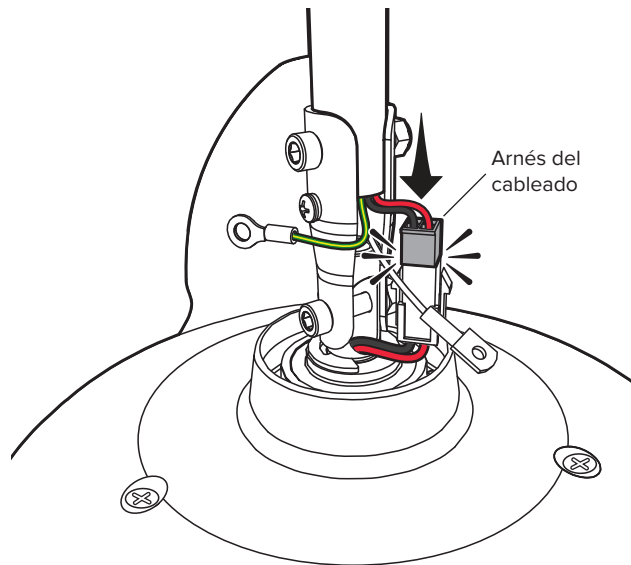
- 6** Deslice la tapa del cableado (a) hacia arriba por el tubo de extensión hasta dejar un espacio de aproximadamente 1/8 in (3 mm) entre la misma y el techo. Gire la tapa del cableado de modo que las ranuras de montaje estén alineadas con los agujeros para los tornillos del tubo de extensión y luego asegúrela con los tornillos (b). Verifique que no quede ningún cable visible. *Si no hay suficiente espacio libre entre la tapa y el techo, mueva el tornillo al agujero más bajo.*
- 7** Deslice la pieza de acabado (c) hacia arriba por el tubo de extensión, alineando las pestañas del lado interior con las ranuras en la parte inferior de la tapa del cableado. Gire en el sentido de las manecillas del reloj hasta asegurarla en su sitio.



5c

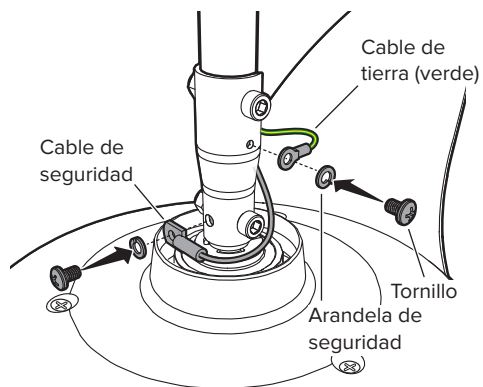
MONTAJE: UNIVERSAL

COLOCAR EL TUBO DE EXTENSIÓN Y EL ARNÉS DEL CABLEADO

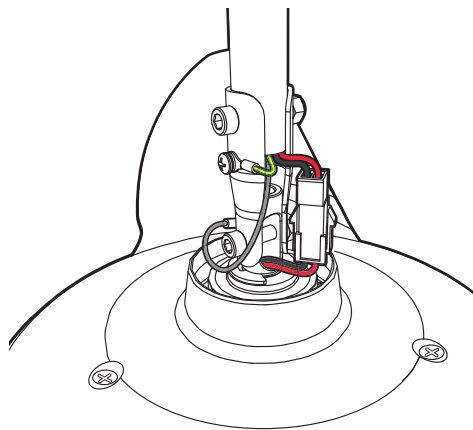
**1****2**

- 1** Alinee los agujeros del tubo de extensión con los agujeros del soporte del motor y luego asegure el tubo usando el perno M6 x 32 mm y la tuerca M6.
- 2** Conecte el arnés de cables del tubo de extensión al receptáculo del cubo del motor.

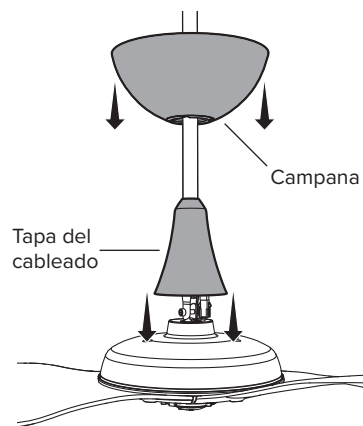
INSTALAR EL CABLE DE SEGURIDAD INFERIOR Y EL CABLE DE TIERRA



3

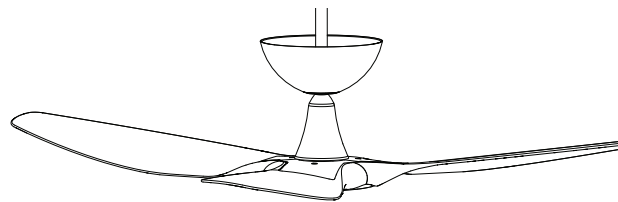


4



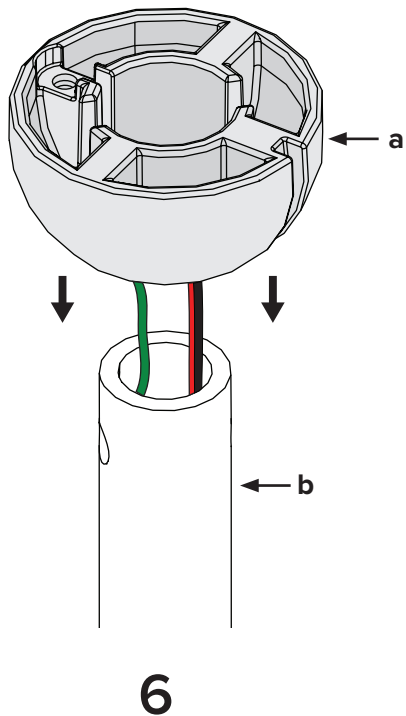
5

- 3** Instale los terminales del cable de seguridad y del cable a tierra con el tornillo sin pintar y la arandela de seguridad.
- 4** Verifique que todos los accesorios estén bien asegurados y luego tire suavemente de los cables en la parte superior del tubo de extensión para reducir la holgura.
- 5** Deslice la tapa del cableado hacia abajo por el tubo de extensión y apóyela sobre el cubo del ventilador. Verifique que no haya ningún cable visible entre la tapa y el cubo del ventilador. Deslice la campana hacia abajo por el tubo de extensión.

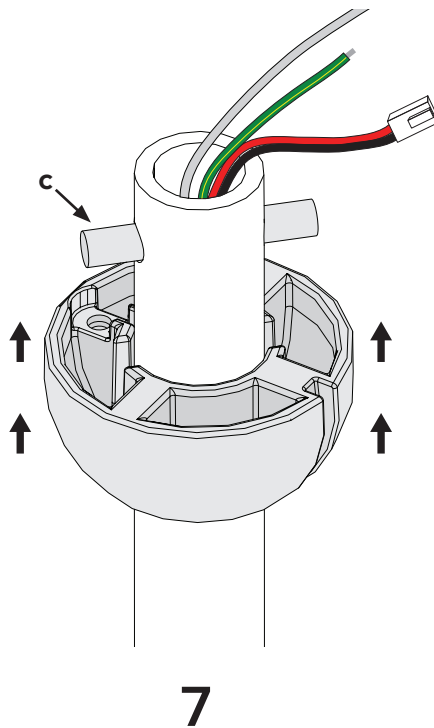


PASOS TERMINADOS

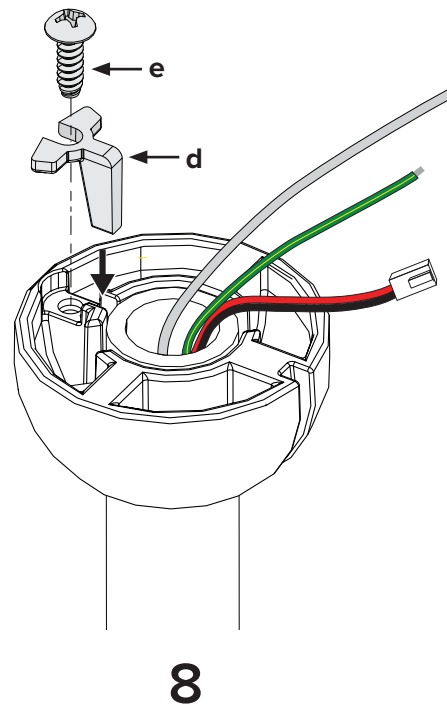
UBICAR LA BOLA DE MONTAJE



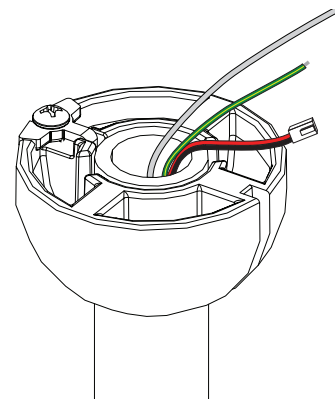
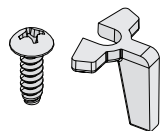
INSTALAR EL PASADOR DE ACERO



INSTALAR LA CUÑA

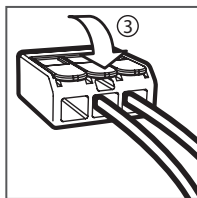
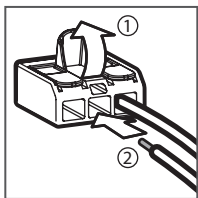
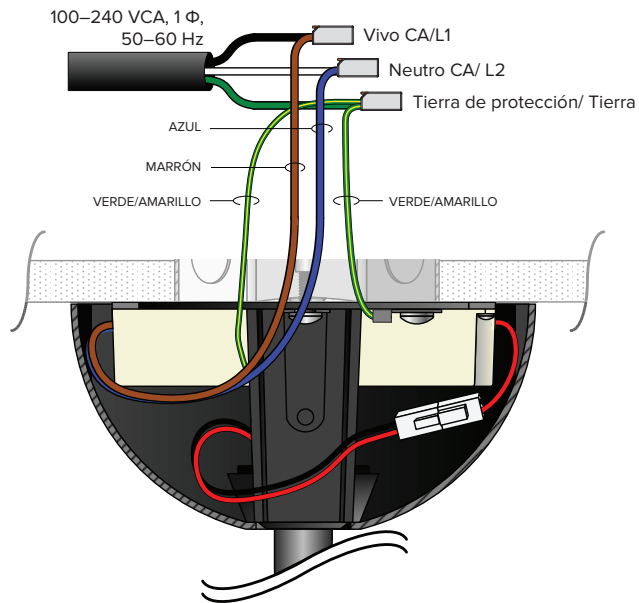


- 6 Deslice la bola de montaje (a) por el tubo de extensión (b).
- 7 Inserte el pasador de acero de 6 mm (c) en el orificio que se encuentra en la parte superior del tubo de extensión y luego deslice la bola de montaje hacia arriba hasta asentar el perno de acero en las ranuras interiores.
- 8 Inserte la cuña (d) en la bola de montaje y asegúrela con el tornillo (e). Ajuste el tornillo lo suficiente como para evitar el movimiento entre la bola de montaje y el tubo de extensión, pero no lo ajuste demasiado.



PASOS TERMINADOS

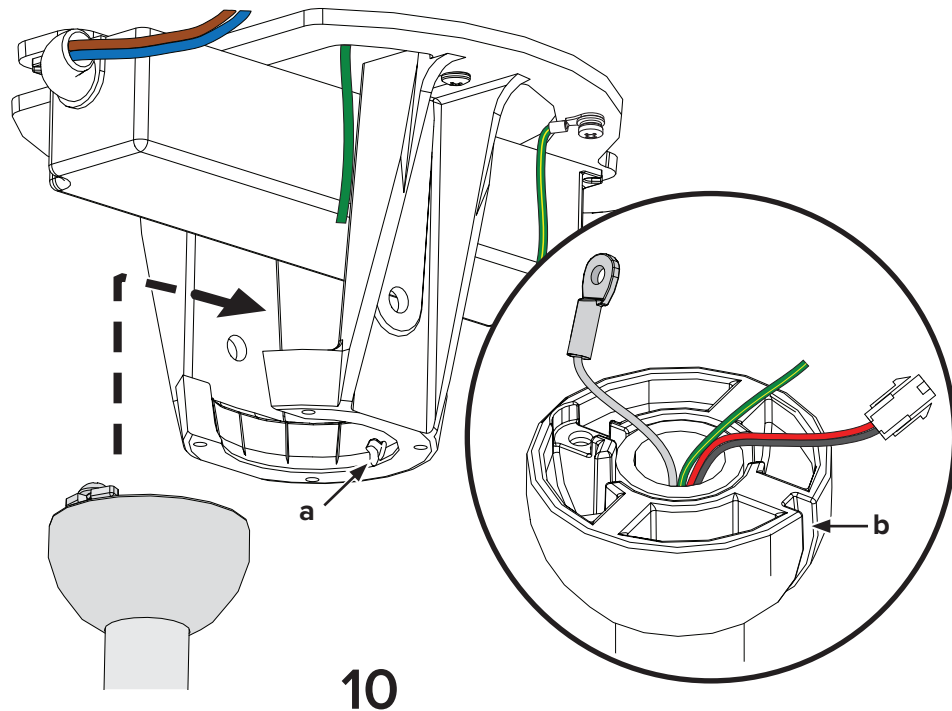
Diagrama de cableado



- ⚠ ¡Desconecte la alimentación eléctrica antes de cablear el ventilador!**
 - ⚠ Si su código eléctrico local así lo exige, el ventilador debe ser instalado por un electricista registrado.**
 - ⚠ ¡Nunca conecte el ventilador a una fuente de alimentación dañada! No intente reparar desperfectos eléctricos por su cuenta. Si tiene alguna duda sobre la instalación eléctrica de este ventilador, consulte a un electricista calificado.**
- 9** Inserte los cables del ventilador y los cables del techo en los conectores. Pruebe la conexión tirando suavemente de los cables.

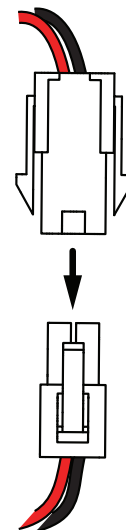
	Vivo CA/L1 Marrón	Neutro CA/ L2 Azul	Tierra de protección/ Tierra (conectado al chasis del ventilador) Verde con línea amarilla
Australia	Marrón o rojo	Negro o celeste	Verde con línea amarilla
Todas las demás regiones	Marrón	Azul	

COLGAR EL VENTILADOR



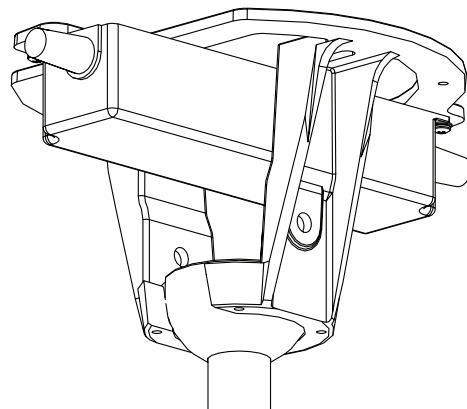
10

CONECTAR EL ARNÉS DEL CABLEADO



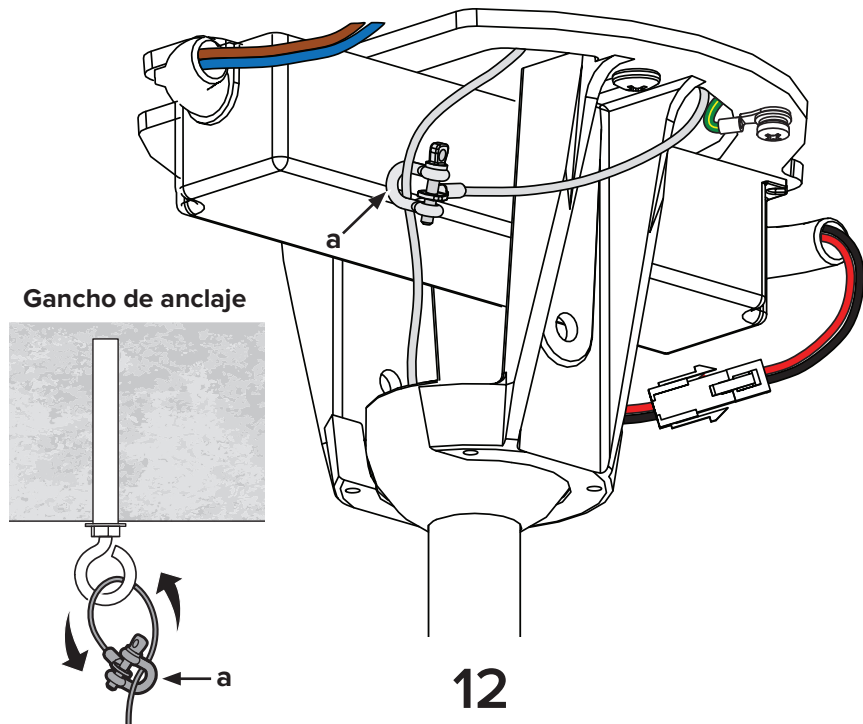
11

- 10** Suba el ventilador hasta el soporte de montaje. Alinee la pestaña del soporte de montaje (*a*) con la ranura de la bola de montaje (*b*), ubique la bola de montaje y permita que el ventilador cuelgue libremente. Gire cuidadosamente el tubo de extensión para verificar que esté bien asentado y que no se moverá durante el funcionamiento del ventilador.
- 11** Conecte el arnés del cableado. Asegure el cable de tierra verde del tubo de extensión al cable de tierra de la alimentación y el cable de tierra verde en el soporte de montaje.

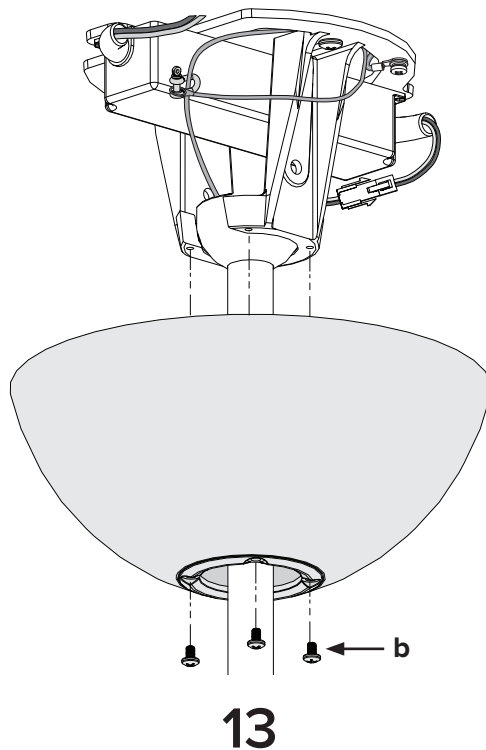


PASOS TERMINADOS

ASEGURAR EL CABLE DE SEGURIDAD



INSTALAR LA CAMPANA



12 Viga de techo de madera

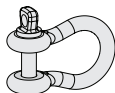
Haga pasar el cable de seguridad alrededor del soporte de montaje o la estructura del edificio y luego asegúrelo con el grillete.

Techo de concreto

Asegure el cable de seguridad a un gancho de anclaje que esté instalado correctamente en el techo de concreto.

Accesorios:

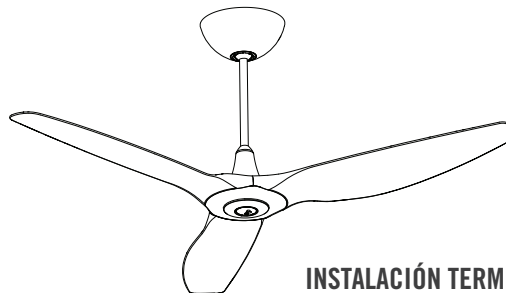
a. Grillete



13 Levante la campana hasta el soporte de montaje, alineando los cuatro agujeros de la campana con los agujeros del soporte. Asegure la campana al soporte de montaje con los tornillos pintados. Verifique que no se vea ninguna parte del cableado ni el cable de seguridad.

Accesorios:

b. Tornillos pintados M4 x 6 mm



INSTALACIÓN TERMINADA

6 PROBAR EL VENTILADOR

No exponga el control remoto a la lluvia ni al agua.

Antes de utilizar el control remoto, retire la pestaña de plástico de la bandeja de las baterías. Habilite la alimentación eléctrica hacia la ubicación del ventilador y pruebe sus funciones usando el control remoto. Encienda el ventilador y pruebe la velocidad y la intensidad de la luz.



Enciende o apaga el ventilador.



Enciende o apaga la luz.



Aumenta la velocidad del ventilador o la intensidad de la luz.



Disminuye la velocidad del ventilador o la intensidad de la luz.



Programa el temporizador del ventilador hasta por ocho horas. Cada vez que se presiona, el temporizador agrega una hora.



Borra el temporizador activo del ventilador.



Varía la velocidad del ventilador para simular una brisa natural.



Regula automáticamente la velocidad del ventilador durante la noche para mantener el confort mientras duerme.

Aplicación móvil de Big Ass Fans



Descargue la aplicación móvil de Big Ass Fans para agrupar varios ventiladores, regular sus ajustes y configurar sus preferencias de comodidad para controlarlos con el modo manos libres.

Para obtener instrucciones sobre la integración de dispositivos inteligentes, visite www.bigassfans.com/support



United States

2348 Innovation Drive
Lexington, KY 40511, USA
877-244-3267
Outside the U.S. (+1 859-233-1271)
bigassfans.com

Mexico

CEBSA (Corporación Eléctrica del
Bravo SA de CV)
Avenida Ind. Río San Juan
Lote 3-A Parque Industrial del Norte
Reynosa, Tamps C.P. 88736
+52 1 899 925 6398
<http://cebsainc.com/>

Canada

2180 Winston Park Drive
Oakville, Ontario L6H 5W1
Canada
1 844-924-4277
bigassfans.com/ca

All Other Geographies

+1 859-410-6286
bigassfans.com

Warranty and WEEE Returns

2201 Jaggie Fox Way
Lexington, KY 40511, USA

Australia

35 French Street
Eagle Farm, Brisbane
QLD 4009
Australia
+61 1300 244 277
bigassfans.com/au

Manufacturer 

2348 Innovation Drive
Lexington, KY 40511, USA

Manufacturing Site

2251 Innovation Drive
Lexington, KY 40511, USA

Singapore

50 Ubi Crescent
#01-01 Ubi TechPark
Singapore 408568
+65 6709 8500
bigassfans.com/sg

© 2018 Big Ass Fans

The information contained in this document is subject to change without notice. May be protected by one or more patents listed at www.bigassfans.com/patents

Haiku is a trademark of Delta T LLC, registered in the U.S. and/or other countries.

Google Play is a trademark of Google LLC.

For warranty information, visit www.bigassfans.com/product-warranties



HKU-INST-99-ENG-01