

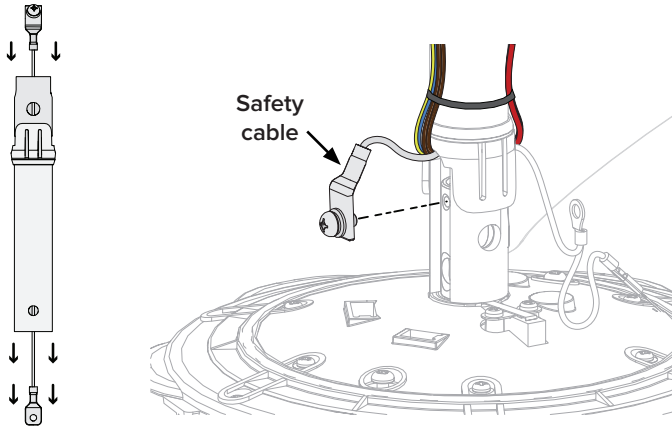
STOP!

Some local safety codes require ceiling fans to be secured directly to the building structure (Canada, Singapore). Check your local safety code if you are unsure. Contact Haiku Customer Service for help.

SECURE LOWER SAFETY CABLE

Thread the safety cable through the extension tube. Make sure the end with the captive screw is at the bottom of the extension tube.

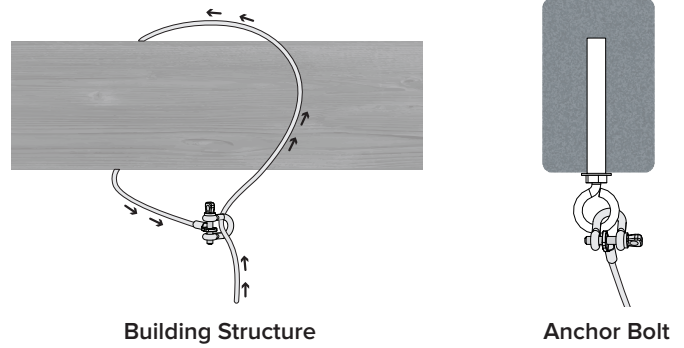
Secure the captive screw on the safety cable to the motor shaft as shown.



SECURE UPPER SAFETY CABLE

Wrap the upper end of the safety cable around an existing part of the building structure or an anchor hook. Secure it with the provided shackle as shown.

Acceptable building structures include wooden beams or metal mounting braces secured between two beams. In some cases it may be necessary to install additional structural material to provide attachment points.



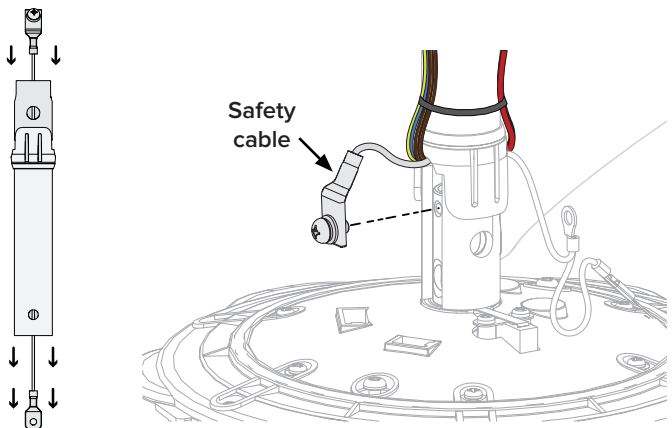
STOP!

Some local safety codes require ceiling fans to be secured directly to the building structure (Canada, Singapore). Check your local safety code if you are unsure. Contact Haiku Customer Service for help.

SECURE LOWER SAFETY CABLE

Thread the safety cable through the extension tube. Make sure the end with the captive screw is at the bottom of the extension tube.

Secure the captive screw on the safety cable to the motor shaft as shown.



SECURE UPPER SAFETY CABLE

Wrap the upper end of the safety cable around an existing part of the building structure or an anchor hook. Secure it with the provided shackle as shown.

Acceptable building structures include wooden beams or metal mounting braces secured between two beams. In some cases it may be necessary to install additional structural material to provide attachment points.

