

# YELLOW JACKET SWIVEL KIT

Consult the main Installation Guide for all other aspects of fan installation and safety guidelines.

**⚠ WARNING:** The fan should not be installed unless the structure on which the fan will be mounted is of sound construction, undamaged, and capable of supporting the load of the fan. A structural engineer should verify that the structure is adequate prior to fan installation. Verifying the stability of the mounting structure is the sole responsibility of the customer and/or end user, and Big Ass Fans hereby expressly disclaims any liability arising therefrom, or arising from the use of any materials or hardware other than those supplied by Big Ass Fans or otherwise specified in these installation instructions.

**⚠ CAUTION:** Never make swivel and/or rotational adjustments while the fan is connected to power.

**⚠ WARNING:** The fan should never be operated with loose mounting hardware.

## Parts and hardware

- |                                  |                       |
|----------------------------------|-----------------------|
| A. (8) 3/8-16 x 1-1/4" GR 8 Bolt | E. Upper Swivel Plate |
| B. (12) 3/8" Flat Washer         | F. Lower Swivel Plate |
| C. (4) 3/8-16 Nylock Nut         | G. Swivel Bracket     |
| D. Yoke Attachment Bracket       |                       |

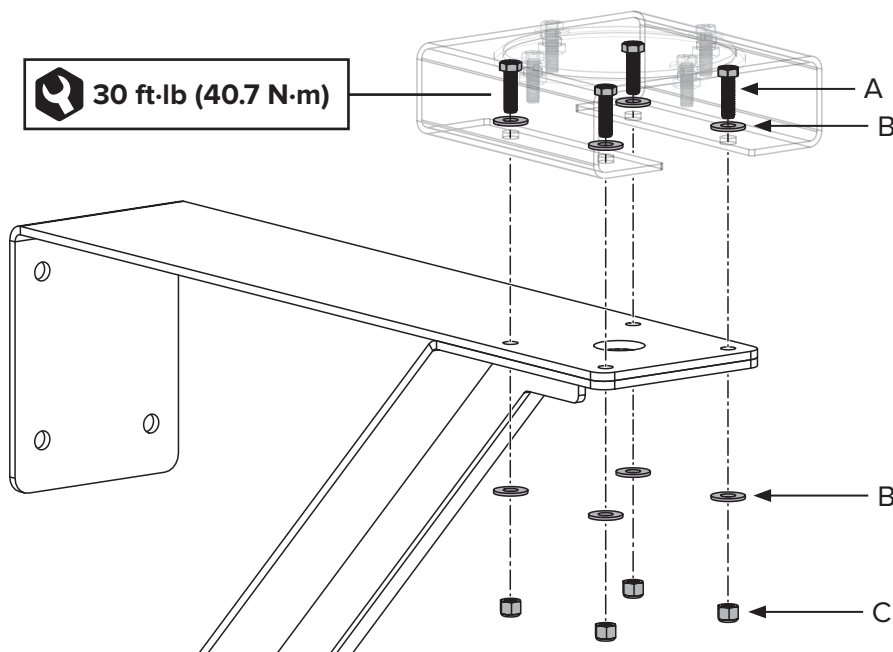
## Wall/column mount

### 1. Install wall/column supports

Secure the wall/column supports to a wall or column according to the instructions in the *Mounting Structure: Wall* or *Mounting Structure: Column* sections of the Yellow Jacket® Installation Guide.

### 2. Attach swivel mount to supports

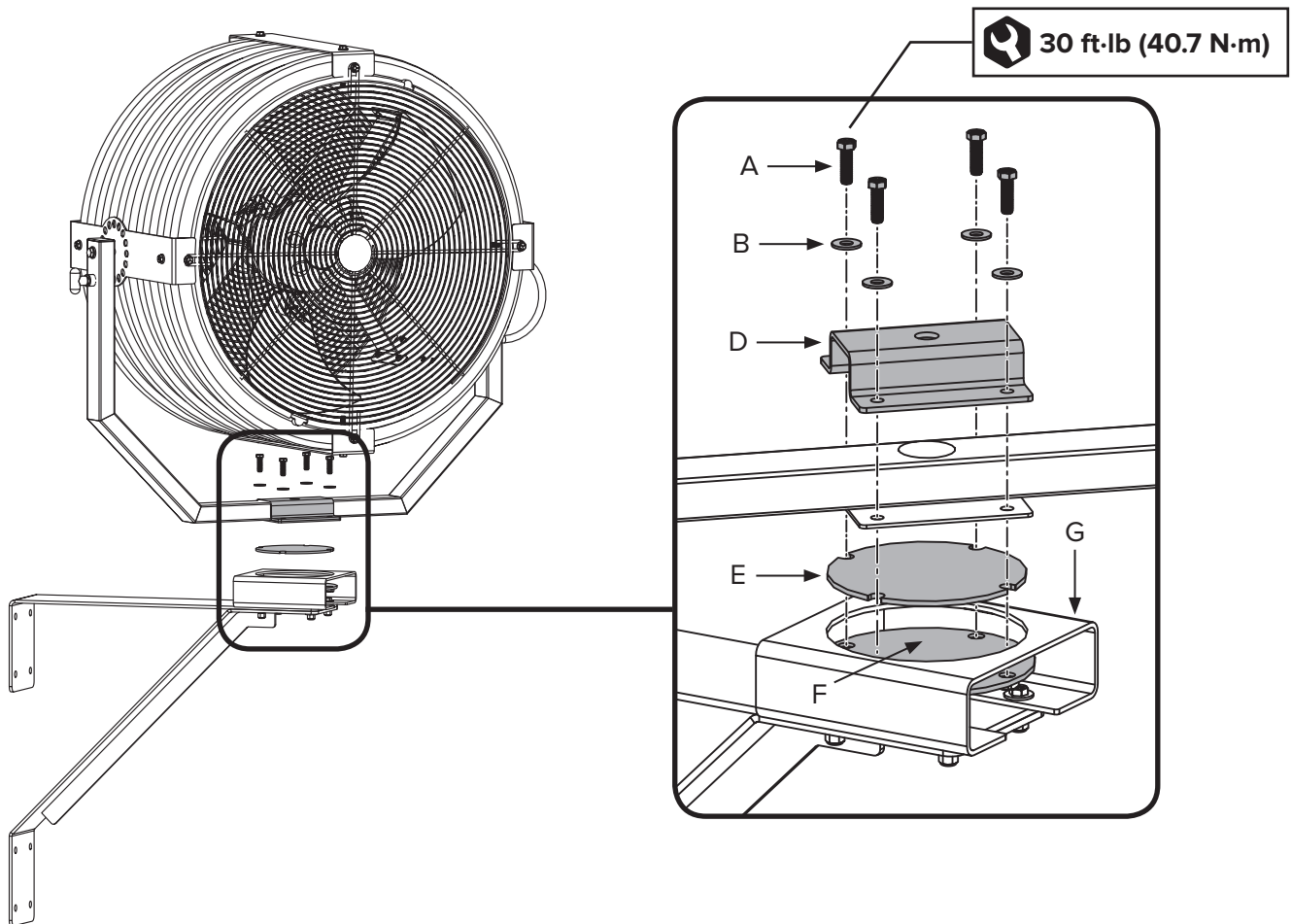
Attach the swivel mount to the supports with four bolts (A), eight washers (B), and four nuts (C). Tighten the bolts to **30 ft·lb (40.7 N·m)**.



### 3. Attach fan to swivel mount

**⚠ CAUTION:** Make sure the position locking pin is secured before attaching the fan to the swivel mount.

Disassemble the swivel mount by removing the four bolts (A) and four washers (B) from the top of the mount. Loosely attach the fan, yoke attachment bracket (D), upper swivel plate (E), and lower swivel plate (F) to the swivel bracket (G) with the bolts (A) and washers (B). Turn the fan to the desired angle, and then tighten the bolts to **30 ft·lb (40.7 N·m)**.



### 4. Secure safety cable

Install the safety cable according to the instructions in the *Mounting Structure: Column* section of the Yellow Jacket Installation Guide.

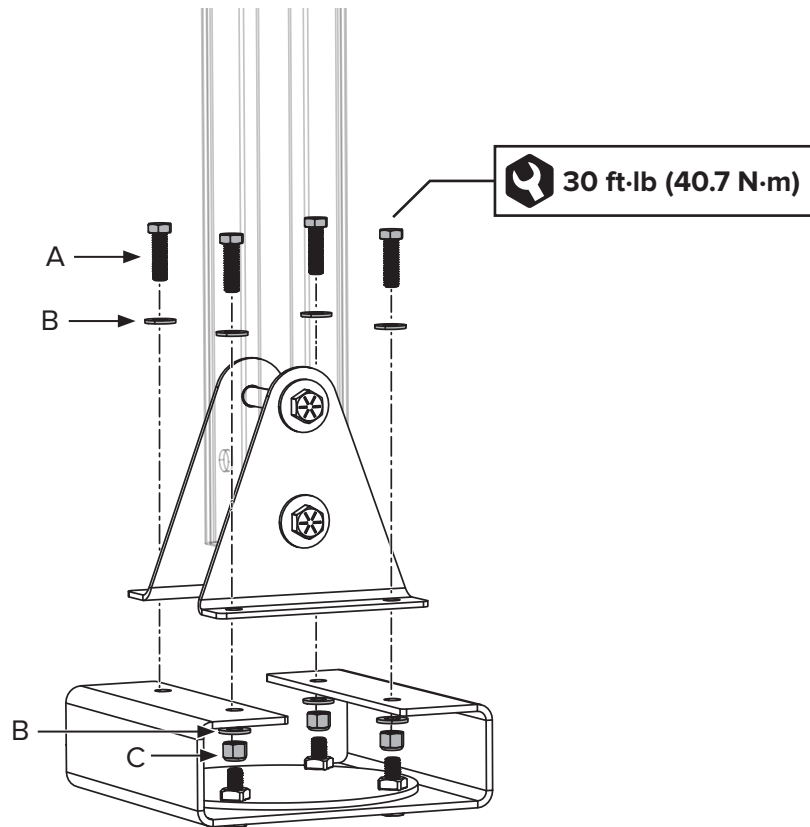
# Yoke mount

## 1. Install mounting components and extension tube

Prepare the mounting structure and install the upper mount, extension tube, safety cable, lower yoke brackets, and guy wires according to the instructions in the *Mounting Structure: I-Beam* or *Mounting Structure: Bar Joists* sections of the Yellow Jacket Installation Guide. Skip the step for attaching the fan to the lower yoke and return to these instructions.

## 2. Attach swivel mount to lower yoke brackets

Attach the swivel mount to the lower yoke brackets with four bolts (A), eight washers (B), and four nuts (C). Tighten the bolts to **30 ft·lb (40.7 N·m)**.



### 3. Attach fan to swivel mount

**⚠ CAUTION:** Make sure the position locking pin is secured before attaching the fan to the swivel mount.

Disassemble the swivel mount by removing the four bolts (A) and four washers (B) from the bottom of the mount. Loosely attach the fan, yoke attachment bracket (D), upper swivel plate (E), and lower swivel plate (F) to the swivel bracket (G) with the bolts (A) and washers (B). Turn the fan to the desired angle, and then tighten the bolts to **30 ft·lb (40.7 N·m)**.

Allow the fan to hang and balance itself, and then tighten the hardware securing the lower yoke brackets to the extension tube to **40 ft·lb (54.2 N·m)**.

